

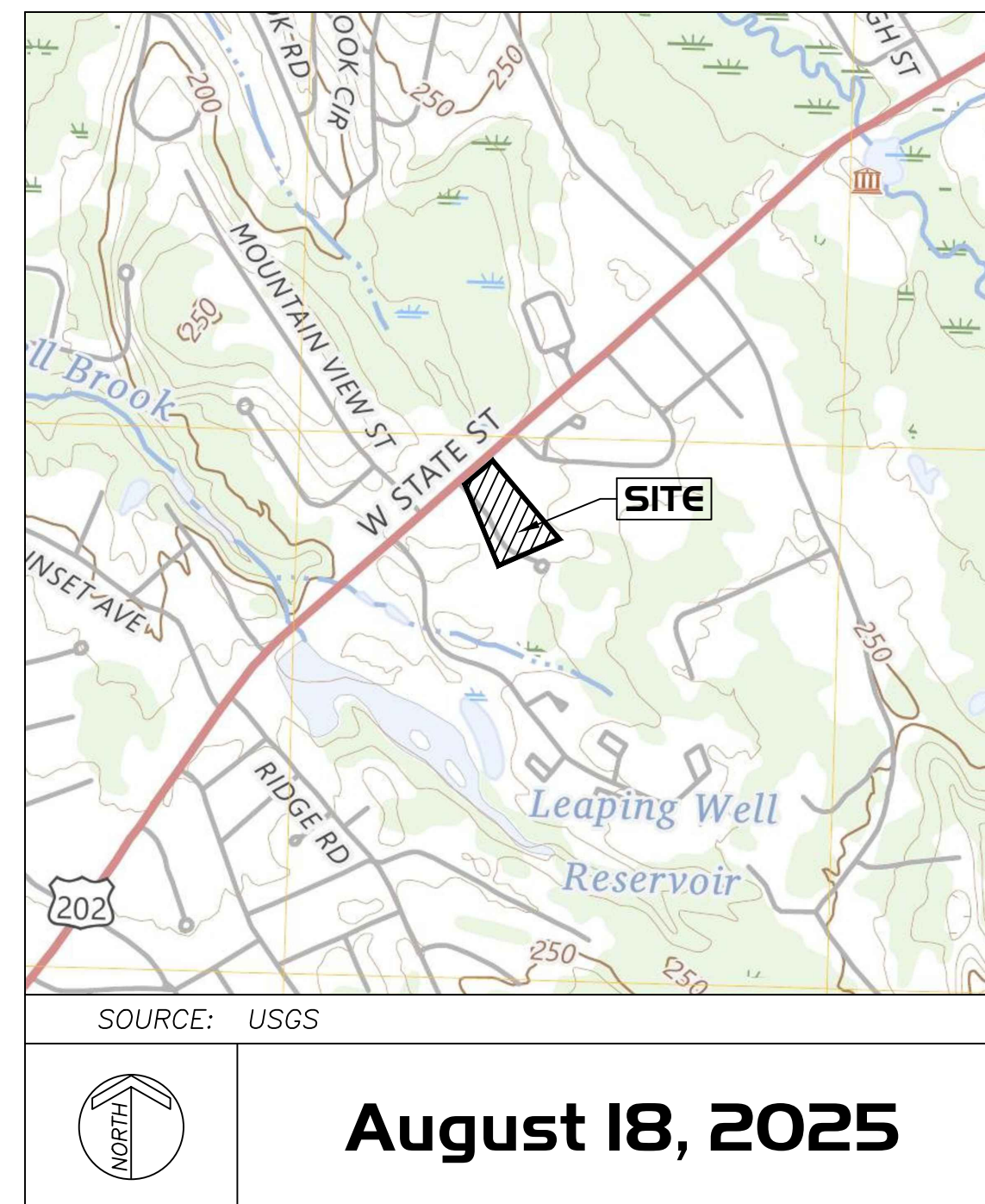
Site Plans

Proposed Condominium Community

**506 Granby Road
South Hadley, MA
Map 32 Parcel 52**

AS PREPARED FOR
SAI SHYAM, LLC
c/o Himanshu Patel

**506 Granby Road
South Hadley, MA 01075**



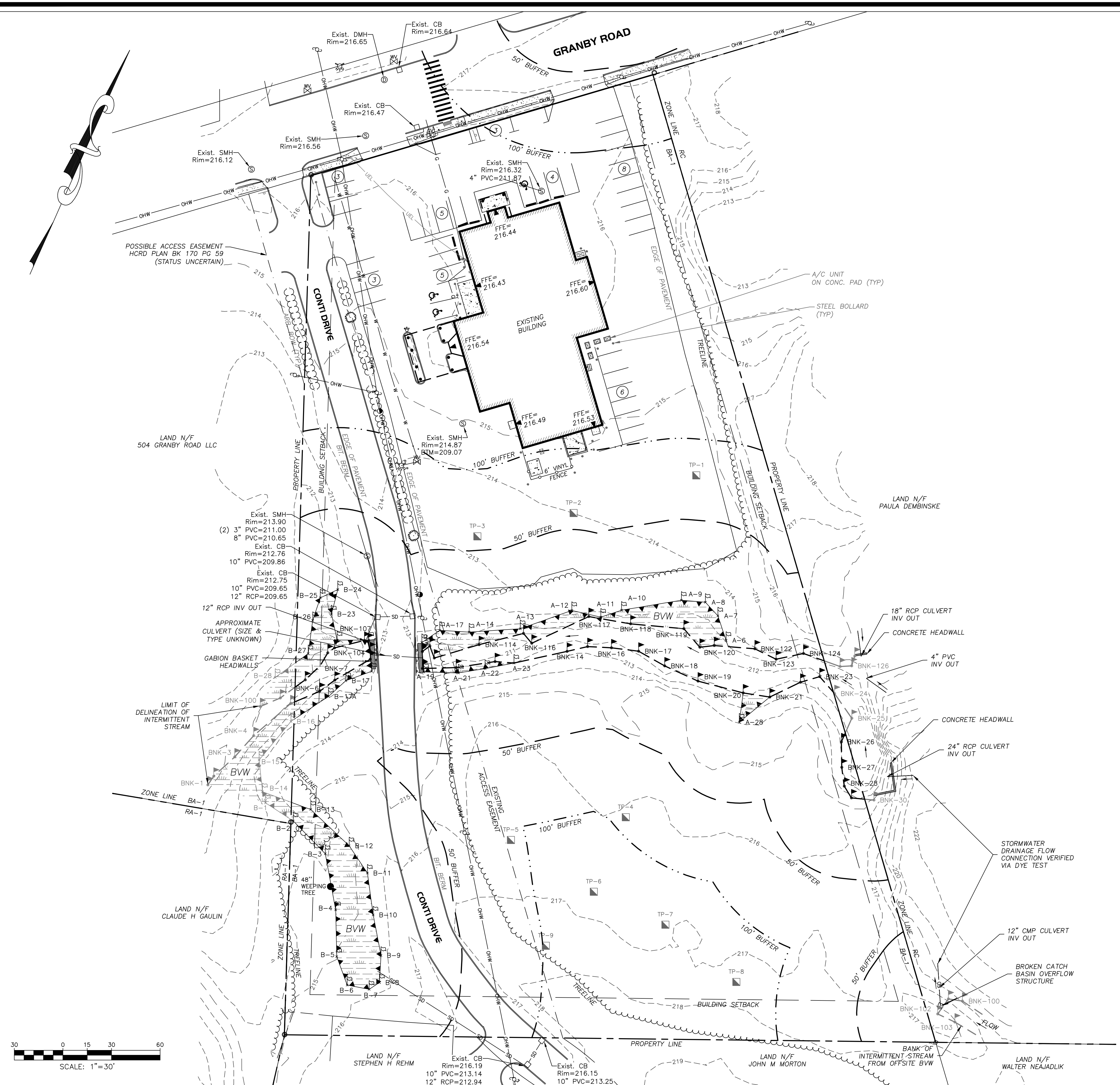
BY



40 School Street · Westfield, MA · 01085
ph 413.568.0985 · fax 413.568.0986
www.rlaland.com

DRAWING INDEX			
SHEET NO.	SHEET NAME	ISSUE DATE	REVISION DATE
T-1	TITLE SHEET	8/18/25	
EX-1	EXISTING CONDITIONS PLAN	8/18/25	
C-1	NOTES, SYMBOL & LINE LEGEND, AND ABBREVIATIONS	8/18/25	
C-2	CONSTRUCTION NOTES	8/18/25	
C-3	OVERALL PLAN	8/18/25	
C-4	DEMOLITION AND REMOVALS PLAN	8/18/25	
C-5	LAYOUT AND MATERIALS PLAN	8/18/25	
C-6	GRADING, EROSION & SEDIMENTATION CONTROL PLAN	8/18/25	
C-7	DRAINAGE AND UTILITIES PLAN	8/18/25	
C-8	LANDSCAPING PLAN	8/18/25	
L-1	PHOTOMETRIC PLAN	8/18/25	
D-1	DETAILS	8/18/25	
D-2	DETAILS	8/18/25	
D-3	DETAILS	8/18/25	
D-4	DETAILS	8/18/25	

S:\Projects\2024\240926 - Patel - 506 Granby Road, South Hadley\05 Civil 3D\240926 - EXIST.dwg



NOTES

1. THE RECORD OWNER OF THE SUBJECT PARCEL IS SAI SHYAM LLC. SEE HAMPSHIRE COUNTY LAND COURT DOCUMENT #21900.
2. THE PROPERTY LINES SHOWN HEREON ARE BASED UPON SUBDIVISION PLAN NO. 20883-C LAND IN SOUTH HADLEY, JOHN S. BRISTOL, C.E. SEPTEMBER 1954, LAND COURT BOOK 4, PAGE 244.
3. THE EXISTING BUILDING(S) SHOWN HEREON ARE BASED ON AN APPROXIMATE MEASUREMENT OF THE OUTSIDE PERIMETER OF THE EXISTING STRUCTURES. THE ACTUAL LOCATION OF THE EXISTING BUILDING WALLS AND CORNERS SHOULD BE VERIFIED IN THE FIELD PRIOR TO ANY CONSTRUCTION WORK THAT WOULD ABUT OR TAKE PLACE ADJACENT TO THE EXISTING BUILDING(S). IF THE PLAN HEREON IS USED FOR CONSTRUCTION LAYOUT PURPOSES, THE PARTIES CONDUCTING LAYOUT SHALL CONTACT R. LEVESQUE ASSOCIATES INC. PRIOR TO SAID LAYOUT TO DETERMINE PROPER CONTROL. PLEASE NOTE WHILE THE BUILDING(S) ARE SHOWN TO BE SQUARE, IT SHOULD NOT BE ASSUMED THAT THE WALLS ARE SQUARE OR PLUMB. R. LEVESQUE ASSOCIATES TAKES NO RESPONSIBILITY FOR THIRD PARTY LAYOUT OF THE PLAN SHOWN HEREON.
4. THIS PLAN HAS BEEN PREPARED FOR SITE PLANNING PURPOSES AND SHALL NOT BE USED FOR THE CONVEYANCE OF LAND OR FOR ANY OTHER USE.
5. SUBJECT PARCEL CONTAINS 4.02± ACRES.
6. THE SUBJECT PROPERTIES SHOWN HEREON MAY BE SUBJECT TO RIGHTS AND EASEMENTS AS CONTAINED IN THE VARIOUS DEEDS OF RECORD DESCRIBING SAID PROPERTIES. THE LOCATION AND EXTENT OF ANY SUCH RIGHTS AND EASEMENTS IS NOT THE SUBJECT OF THIS PLAN.
7. WETLANDS DELINEATED BY R. LEVESQUE ASSOCIATES, INC. IN OCTOBER 2024 AND MAY 2025.
8. THE EXISTING CONDITIONS INFORMATION SHOWN IS BASED UPON A TOPOGRAPHIC SURVEY PERFORMED BY R. LEVESQUE ASSOCIATES, INC. IN MAY 2025.
9. THE UNDERGROUND UTILITIES SHOWN HEREON HAVE BEEN LOCATED FROM FIELD SURVEY INFORMATION AND AVAILABLE RECORD DATA. R. LEVESQUE ASSOCIATES, INC. MAKES NO GUARANTEE THAT THE UNDERGROUND UTILITIES SHOWN HEREON COMPRISE ALL SUCH UTILITIES IN THE AREA, EITHER IN SERVICE OR ABANDONED. R. LEVESQUE ASSOCIATES, INC. FURTHER DOES NOT WARRANT THAT THE UNDERGROUND UTILITIES SHOWN HERE ARE IN THE EXACT LOCATION INDICATED, ALTHOUGH THEY ARE LOCATED AS ACCURATELY AS POSSIBLE FROM AVAILABLE INFORMATION.
10. ADJACENT PROPERTY LINES AND ABUTTERS SHOWN HEREON ARE REFERENCED FROM MASS GIS AND ARE APPROXIMATE.
11. SUBJECT PARCEL IS ZONED BUSINESS A-1 (BA-1) ACCORDING TO THE SOUTH HADLEY ZONING MAP.
12. THE SUBJECT PARCEL IS NOT LOCATED WITHIN A SPECIAL FLOOD ZONE AREA ACCORDING TO FLOOD INSURANCE RATE MAP NUMBER 2501700010A - EFFECTIVE DATE: 8/15/1979.
13. THE SUBJECT PROPERTY IS NOT LOCATED WITHIN NATURAL HERITAGE & ENDANGERED SPECIES PROGRAM (NHESP) JURISDICTION.

ZONING REVIEW - Business A-1 (BA-1)

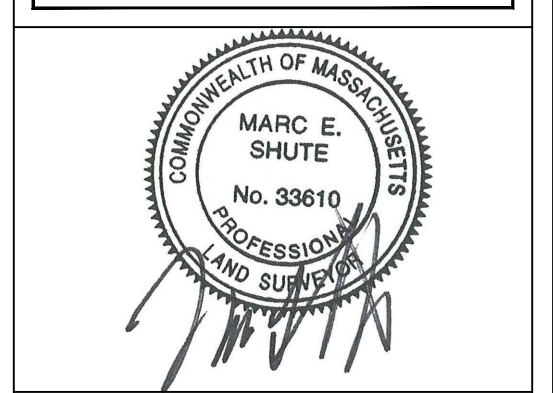
TYPE (MINIMUM)	REQUIRED	EXISTING
AREA	25,000 FT ²	4.02± ACRES
FRONTAGE	125 FT	220.14 FT
FRONT YARD	0 FT	51.8± FT
SIDE YARD	15 FT	70.2± FT
REAR YARD	25 FT	363.3± FT
HEIGHT (MAX)	45 FT (3 STORIES)	<45 FT (1 STORY)
BUILDING COVERAGE (MAX)	30%	±6%
IMPERVIOUS COVERAGE (MAX)	80%	37%
OPEN SPACE	50%	63%

RLA
R LEVESQUE ASSOCIATES INC.
 Landscape Architects
 Civil Engineers - Land Surveyors
 Environmental Consultants
 ph: 413.568.0985 fax: 413.568.0986

40 School Street
 Westfield, MA 01085
 rland.com

EXISTING CONDITIONS PLAN

506 Granby Road
 South Hadley, MA
 Map 32 Parcel 52



PREPARED FOR:
 Sai Shyam, LLC
 c/o Himanshu Patel
 506 Granby Road
 South Hadley, MA 01075

ISSUANCE DATE: August 18, 2025
 REVISIONS: DATE:

DRAFTED BY: M.B.
 UNAUTHORIZED ALTERATION OF THIS DOCUMENT IS A VIOLATION OF MASSACHUSETTS STATE LAW

SCALE: As Noted
 RLA PROJ. NUMBER: 240926
 DRAWING# REV.
EX-1 -

GENERAL CONSTRUCTION NOTES

- 1. PRIOR TO BEGINNING CONSTRUCTION, THE CONTRACTOR OR HIS AUTHORIZED REPRESENTATIVE SHALL CONVENE A PRE-CONSTRUCTION CONFERENCE BETWEEN THE CITY/TOWN REPRESENTATIVES, CONSULTING ENGINEER/LANDSCAPE ARCHITECT, UTILITY COMPANY REPRESENTATIVES, AND ANY OTHER AFFECTED PARTIES.
2. THE OWNER, R LEVESQUE ASSOCIATES, INC., AND/OR THEIR REPRESENTATIVES, IN PREPARING THESE PLANS HAVE ATTEMPTED TO LOCATE ALL EXISTING UTILITIES IN THE PROJECT AREA. HOWEVER, THERE MAY BE UTILITIES THAT WERE NOT OR COULD NOT BE LOCATED. UNDERGROUND UTILITIES SHOWN ON THE PLANS ARE IN APPROXIMATE LOCATIONS ONLY. THE CONTRACTOR SHALL DETERMINE THE EXACT LOCATIONS AND ELEVATIONS OF ALL EXISTING UTILITIES BEFORE COMMENCING WORK. THE CONTRACTOR SHALL CALL ALL APPROPRIATE UTILITY COMPANIES FOR LOCATIONS OF THEIR UTILITIES AT LEAST 48 HOURS BEFORE COMMENCING EXCAVATION. IN THE EVENT THAT A UTILITY IS SITUATED SUCH THAT CONSTRUCTION CANNOT PROCEED AS SHOWN ON THE PLANS, THE PROJECT ENGINEER/LANDSCAPE ARCHITECT AND OWNER SHALL BE NOTIFIED IMMEDIATELY.
3. THE SITE CONTRACTOR IS RESPONSIBLE FOR ANY AND ALL DAMAGES WHICH OCCUR DUE TO HIS FAILURE TO LOCATE AND PRESERVE ANY AND ALL UTILITIES.
4. ALL FILL WORK REQUIRED TO BRING THE PROPOSED ROADWAY UP TO SUB-GRADE LEVEL SHALL CONFORM TO MHD SPECIFICATIONS SECTION 150.
5. CONSTRUCTION SHALL COMPLY WITH ALL APPLICABLE GOVERNING CODES AND BE CONSTRUCTED TO SAME.
6. ALL WORK IN THE CITY/TOWN RIGHT-OF-WAY AND EASEMENTS SHALL BE IN ACCORDANCE WITH THE CITY/TOWN SPECIFICATIONS AND MASSACHUSETTS DEPARTMENT OF TRANSPORTATION STANDARD SPECIFICATIONS FOR ROAD AND BRIDGE CONSTRUCTION, LATEST EDITION.
7. THE CONTRACTOR SHALL GIVE THE CITY/TOWN A MINIMUM OF 48 HOURS NOTICE BEFORE BEGINNING EACH PHASE OF CONSTRUCTION.
8. CONTRACTOR IS RESPONSIBLE FOR REPAIRS OF DAMAGE TO ANY EXISTING IMPROVEMENTS DURING CONSTRUCTION, SUCH AS, BUT NOT LIMITED TO, DRAINAGE, UTILITIES, PAVEMENT, STRIPING, CURB, ETC. REPAIRS SHALL BE EQUAL TO OR BETTER THAN EXISTING CONDITIONS.
9. ALL WORK SHALL BE PERFORMED IN CONFORMANCE WITH THE CONDITIONS OF APPROVAL OUTLINED IN ALL STATE AND LOCAL PERMITS. COPIES OF THE CONDITIONS ARE INCLUDED WITHIN THE PROJECTS TECHNICAL SPECIFICATIONS. THE CONTRACTOR SHALL BE RESPONSIBLE FOR REVIEWING THIS INFORMATION PRIOR TO CONSTRUCTION AND CONFORMING TO THE CONDITIONS AS REQUIRED DURING CONSTRUCTION.
10. THE CONTRACTOR SHALL MAINTAIN THE JOB CLEAR OF TRASH AND DEBRIS. THE WORK AREAS ARE TO BE PICKED UP AT THE END OF EACH WORK DAY.
11. ANY TEMPORARY FACILITIES FOR THE STORAGE OR PROTECTION OF TOOLS, EQUIPMENT OR MATERIALS SHALL CONFORM TO LOCAL REGULATIONS AND SHALL BE THE GENERAL CONTRACTORS RESPONSIBILITY. THESE DOCUMENTS DO NOT INCLUDE THE NECESSARY COMPONENTS FOR CONSTRUCTION SAFETY. SAFETY, CARE OF ADJACENT PROPERTIES DURING CONSTRUCTION, AND COMPLIANCE WITH STATE AND FEDERAL REGULATIONS REGARDING SAFETY SHALL BE THE GENERAL CONTRACTORS RESPONSIBILITY.
12. THE GENERAL CONTRACTOR AND HIS SUBCONTRACTORS SHALL VISIT THE SITE AND BECOME FAMILIAR WITH ALL CONDITIONS PRIOR TO SUBMITTING HIS PROPOSAL. NO EXTRAS DUE TO UNFAMILIARITY WITH THE EXISTING SITE OR WORKING CONDITIONS WILL BE ALLOWED.
13. CONTRACTOR SHALL BE REQUIRED TO PERFORM FINAL CLEANUP CONSISTING OF CLEANING THE PROPOSED DRAINAGE AND SEWER SYSTEMS OF ALL DEBRIS PRIOR TO THE ACCEPTANCE BY THE OWNER. ADDITIONALLY, THE PROPOSED ROADWAY SHALL BE CLEANED AND SWEEP BY THE CONTRACTOR PRIOR TO ACCEPTANCE.
14. ALL EXCAVATION SHALL COMPLY WITH OSHA'S LATEST STANDARDS. ALL REQUIREMENTS OF OSHA'S EXCAVATION STANDARDS SHALL BE PROVIDED BY THE CONTRACTOR INCLUDING, BUT NOT LIMITED TO, THE PROVISION FOR A COMPETENT PERSON ON SITE MANAGER AND ANY REQUIRED DOCUMENTATION THAT MAY REQUIRE CERTIFICATION BY A PROFESSIONAL ENGINEER. THE OWNER, THROUGH ITS ENGINEER, SHALL EXPRESSLY NOT PROVIDE ANY OF THE ABOVE REQUIREMENTS DESIGNATED BY OSHA'S EXCAVATION STANDARD.
15. THE CONTRACTOR SHALL BE SOLELY RESPONSIBLE FOR THE COST OF LAYING OUT ALL ITEMS OF THE WORK BASED ON CERTAIN HORIZONTAL CONTROL AND BENCHMARK SUPPLIED BY THE SURVEYOR OF RECORD. ANY DISCREPANCIES SHALL BE IMMEDIATELY REPORTED TO THE ENGINEER.
16. THE CONTRACTOR SHALL PROVIDE ALL MATERIALS, LABOR, EQUIPMENT, PERMITS AND APPURTENANCES NECESSARY TO PROVIDE A COMPLETE PROJECT AS INDICATED ON THE PLANS AND IN THESE SPECIFICATIONS.
17. THE CONTRACTOR SHALL BE RESPONSIBLE FOR A THOROUGH SITE EXAMINATION IN ORDER TO PREPARE SITE FOR CONSTRUCTION.
18. ANY AND ALL DEMOLISHED TREES, STRUCTURES AND OTHER RUBBLE MATERIAL PERTAINING TO THIS PROJECT SHALL BE DISPOSED OF BY THE CONTRACTOR OFF-SITE AT HIS EXPENSE IN ACCORDANCE WITH ALL OF THE CITY/TOWN ORDINANCES AND ALL APPLICABLE STATE AND FEDERAL ENVIRONMENTAL REGULATIONS.
19. ALL PAVEMENT DISTURBED BY THE CONTRACTOR'S OPERATIONS SHALL BE REPLACED IN ACCORDANCE WITH THE SPECIFICATIONS AND AS SHOWN ON THE DRAWINGS.
20. ALL STREET EXCAVATIONS SHALL BE COMPLETELY CLOSED AT THE END OF EACH WORKING DAY BY BACKFILLING OR COVERING WITH STEEL PLATES.
21. ALL MATERIALS AND METHODS ARE TO COMPLY WITH THE CITY/TOWN DPW STANDARDS OR MASSACHUSETTS DEPARTMENT OF TRANSPORTATION (MASSDOT) (WHERE APPLICABLE), UNLESS OTHERWISE DIRECTED BY THE ENGINEER.
22. PERMITS WILL BE REQUIRED BY CONTRACTOR WHEN WORKING WITHIN OR OCCUPYING PUBLIC WAY. CONTRACTOR IS RESPONSIBLE FOR OBTAINING ALL REQUIRED WORK PERMITS AND MAINTAINING A COPY OF ALL PERMITS IN A THREE RING BINDER OR PROJECT BOOK AND ON-SITE AT ALL TIMES.
23. BACKFILL WILL BE PLACED IN SUCCESSIVE LAYERS NOT MORE THAN TWELVE INCHES IN THICKNESS AND SHALL BE COMPACTED TO 95% OF MAXIMUM DRY DENSITY DETERMINED BY STANDARD PROCTOR TEST (ASTM 698) FOR ALL APPLICABLE TYPES OF BACKFILL MATERIAL. NO FROZEN MATERIAL SHALL BE USED AS BACKFILL. IF, IN THE OPINION OF THE ENGINEER OR THE DPW, THE EXCAVATED MATERIAL IS UNSUITABLE, THE ENTIRE MATERIAL FOR BACKFILLING SHALL CONSIST OF APPROVED GRAVEL OR APPROVED BORROW, AS DIRECTED. AFTER THOROUGH TAMPING AROUND AND BENEATH THE UTILITY, A SIX-INCH LAYER OF BACKFILL WILL BE THOROUGHLY COMPACTED AS FOLLOWS: IF DRY, SHALL BE MOISTENED AND THEN COMPACTED WITH MECHANICAL TAMPERS OR BY HAND TAMPERS HAVING A TAMPING FACE NOT EXCEEDING 25 SQUARE INCHES IN AREA. THE FINAL TWELVE INCHES OF FILLING WILL, IN ALL CASES, CONSIST OF APPROVED GRAVEL THOROUGHLY TAMPED.
24. CONTRACTOR SHALL PROVIDE FIELD COMPACTION VERIFICATION UTILIZING ASTM D5195-02, STANDARD TEST METHOD FOR DENSITY OF SOIL & ROCK IN-PLACE AT DEPTHS BELOW THE SURFACE BY NUCLEAR METHODS.
25. CONTRACTOR SHALL PROVIDE FIELD COMPACTION RESULTS TO ENGINEER WITHIN 24-HOURS PRIOR TO PLACEMENT OF INFRASTRUCTURE OR BITUMINOUS BINDER.
26. ALL FILL TO BRING PROPOSED ROADWAY UP TO THE SUB-GRADE LEVEL SHALL EXTEND PAST THE EDGE OF THE RIGHT-OF-WAY AT A 2:1 SLOPE. THIS IS TO PROVIDE ADEQUATE SUPPORT FOR THE RIGHT-OF-WAY.

LAYOUT NOTES

- 1. ALL CONSTRUCTION IN CITY/TOWN RIGHT-OF-WAYS AND/OR EASEMENTS SHALL BE IN ACCORDANCE WITH THE CITY/TOWN STANDARD SPECIFICATIONS.
2. IN THE EVENT OF DISCREPANCIES BETWEEN LOCAL SPECIFICATIONS AND SITE SPECIFICATIONS, THE MORE STRINGENT REQUIREMENT SHALL GOVERN.
3. SITE CONTRACTOR SHALL PROTECT ALL BENCHMARKS AND PROPERTY MONUMENTATION AND SHALL REPLACE OR REPAIR, AT HIS OWN EXPENSE, BENCHMARKS AND MONUMENTATION DISTURBED DURING CONSTRUCTION.
4. ALL STRIPING, PAVEMENT MARKINGS, AND TRAFFIC SIGNAGE SHALL BE IN ACCORDANCE WITH THE MANUAL ON UNIFORM TRAFFIC CONTROL DEVICES, LATEST EDITION, UNLESS OTHERWISE NOTED ON THE PLANS.
5. ALL WORK SHALL COMPLY WITH FEDERAL, STATE AND LOCAL CODES AND ORDINANCES INCLUDING BUT NOT LIMITED TO: AASHTO, OSHA, EPA, DEP, MASSDOT, ETC. THE GENERAL CONTRACTOR SHALL APPLY FOR ALL PERMITS AND SHALL PAY ALL PERMIT RELATED FEES. ALL NECESSARY PERMITS SHALL BE OBTAINED PRIOR TO THE START OF WORK.
6. ALL DIMENSIONS AND CONDITIONS SHOWN ON THE DRAWINGS ARE TO BE VERIFIED BY THE CONTRACTOR. IF FIELD CONDITIONS VARY SIGNIFICANTLY ENOUGH TO REQUIRE A CHANGE TO THE CONTRACT DOCUMENTS, THE PROJECT PROPONENT AND ENGINEER SHALL BE NOTIFIED IMMEDIATELY.
7. THE SITE/GENERAL CONTRACTOR AND SUBCONTRACTORS SHALL CONTACT THE OWNER AND ENGINEER SHOULD HE FIND ANY CONFLICT OR INCONSISTENCY BETWEEN THE WORK SHOWN ON THE DRAWINGS AND NORMAL ACCEPTED CONSTRUCTION PRACTICES, OR HE SHALL ASSUME RESPONSIBILITY FOR ALL CORRECTIONS.
8. ANY CORRECTIONS REQUIRED FOR REVISIONS TO THE CONTRACT DRAWINGS INITIATED BY THE GENERAL CONTRACTOR OR SUBCONTRACTORS WITHOUT PRIOR APPROVAL OF THE OWNER AND OR THE ENGINEER SHALL BE ACCOMPLISHED AT THE CONTRACTORS RISK.
9. THE CONTRACTOR SHALL BE RESPONSIBLE FOR THE REMOVAL & LEGAL DISPOSAL OF ALL MATERIAL NECESSARY TO PREPARE THE SITE FOR THE NEW CONSTRUCTION AS SHOWN ON THE SITE DRAWINGS.
10. REPAIR DAMAGED CITY/TOWN ROADS AND CURBS IN ACCORDANCE WITH MASSDOT AND/OR THE CITY/TOWN REGULATIONS.
11. CONTRACTOR SHALL SAWCUT PAVEMENT EDGE WHERE PAVEMENT TO REMAIN IS ADJACENT TO PAVEMENT TO BE REMOVED.
12. CONTRACTOR SHALL PREPARE SITE AS NECESSARY FOR CONSTRUCTION SHOWN ON THE PLANS.

EARTHWORK NOTES

- 1. THE CONTRACTOR IS SPECIFICALLY CAUTIONED THAT THE LOCATION AND/OR ELEVATION OF EXISTING UTILITIES AS SHOWN ON THESE PLANS IS BASED ON RECORDS OF THE VARIOUS UTILITY COMPANIES, AND WHERE POSSIBLE, MEASUREMENTS TAKEN IN THE FIELD. THE INFORMATION IS NOT TO BE RELIED ON AS BEING EXACT OR COMPLETE. THE CONTRACTOR MUST CALL THE APPROPRIATE UTILITY COMPANIES AT LEAST 72 HOURS BEFORE ANY EXCAVATION TO REQUEST EXACT FIELD LOCATION OF UTILITIES. IT SHALL BE THE RESPONSIBILITY OF THE CONTRACTOR TO RELOCATE ALL EXISTING UTILITIES WHICH CONFLICT WITH THE PROPOSED IMPROVEMENTS SHOWN ON THE PLANS.
2. ALL CUT OR FILL SLOPES SHALL BE 3:1 OR FLATTER UNLESS OTHERWISE NOTED.
3. STORM PIPE SHALL BE AS NOTED ON PLANS.
4. EXISTING DRAINAGE STRUCTURES TO BE INSPECTED AND REPAIRED AS NEEDED, AND EXISTING PIPES TO BE CLEANED OUT TO REMOVE ALL SILT AND DEBRIS.
5. EXISTING GRADE CONTOUR INTERVALS SHOWN AT 1 FOOT INTERVALS.
6. PROPOSED GRADE CONTOUR INTERVALS SHOWN AT 1 FOOT INTERVALS.
7. IF ANY EXISTING STRUCTURES TO REMAIN ARE DAMAGED DURING CONSTRUCTION IT SHALL BE THE CONTRACTORS RESPONSIBILITY TO REPAIR AND/OR REPLACE THE EXISTING STRUCTURE AS NECESSARY TO RETURN IT TO EXISTING CONDITIONS OR BETTER.
8. ALL STORM PIPE ENTERING STRUCTURES SHALL BE SEALED TO ASSURE CONNECTION AT STRUCTURE IS WATERTIGHT.
9. ALL STORM SEWER MANHOLES FRAMES AND GRATES ARE TO BE SET EQUAL TO FINISH GRADES, AND SHALL HAVE TRAFFIC BEARING RING & COVERS (H20).
10. CONTRACTOR SHALL ADJUST AND/OR CUT EXISTING PAVEMENT AS NECESSARY TO ASSURE A SMOOTH FIT AND CONTINUOUS GRADE.
11. CONTRACTOR SHALL ASSURE POSITIVE DRAINAGE AWAY FROM BUILDINGS FOR ALL NATURAL AND PAVED AREAS.
12. ALL UNSURFACED AREAS DISTURBED BY GRADING OPERATION SHALL RECEIVE 4 INCHES OF TOPSOIL. CONTRACTOR SHALL APPLY STABILIZATION FABRIC TO ALL SLOPES 3H:1V OR STEEPER. CONTRACTOR SHALL GRASS DISTURBED AREAS IN ACCORDANCE WITH THE SPECIFICATIONS UNTIL A HEALTHY STAND OF GRASS IS OBTAINED.
13. CONSTRUCTION SHALL COMPLY WITH ALL APPLICABLE GOVERNING CODES AND BE CONSTRUCTED TO SAME.
14. IF CONTRACTOR RELOCATES OR SETS NEW BENCHMARKS, THE VERTICAL ELEVATIONS OF THE BENCHMARKS SHALL BE SET WITHIN A TOLERANCE OF 0.010 FT.
15. CONTRACTOR SHALL LEAVE GRADE BEHIND CURB IN ALL PLANTER AREAS A MINIMUM OF 4" LOW FOR THE PLACEMENT OF SUITABLE TOPSOIL OR PLANTING MIX.

SITE UTILITY NOTES

- GENERAL:
1. ALL FILL MATERIAL IS TO BE IN PLACE, AND COMPACTED BEFORE INSTALLATION OF PROPOSED UTILITIES.
2. TOPS OF EXISTING MANHOLES SHALL BE SET EQUAL TO FINISH GRADE. IN GRASSED LANDSCAPED AREAS WITH WATER TIGHT LIDS.
3. ALL CONCRETE FOR ENCASEMENTS SHALL HAVE A MINIMUM 28 DAY COMPRESSION STRENGTH AT 3000 P.S.I.
4. DRAWINGS DO NOT PURPORT TO SHOW ALL EXISTING UTILITIES.
5. EXISTING UTILITIES SHALL BE VERIFIED IN FIELD PRIOR TO INSTALLATION OF ANY NEW LINES.
6. SITE/GENERAL CONTRACTOR IS RESPONSIBLE FOR COMPLYING TO THE SPECIFICATIONS OF THE LOCAL AUTHORITIES AT THE CITY WITH REGARD TO MATERIALS AND INSTALLATION OF THE WATER AND SEWER LINES.
7. THE CONTRACTOR IS SPECIFICALLY CAUTIONED THAT THE LOCATION AND/OR ELEVATION OF EXISTING UTILITIES AS SHOWN ON THESE PLANS IS BASED ON RECORDS OF THE VARIOUS UTILITY COMPANIES, AND WHERE POSSIBLE, MEASUREMENTS TAKEN IN THE FIELD. THE INFORMATION IS NOT TO BE RELIED ON AS BEING EXACT OR COMPLETE. THE CONTRACTOR MUST CALL THE APPROPRIATE UTILITY COMPANIES AT LEAST 72 HOURS BEFORE ANY EXCAVATION TO REQUEST EXACT FIELD LOCATION OF UTILITIES. IT SHALL BE THE RESPONSIBILITY OF THE CONTRACTOR TO RELOCATE ALL EXISTING UTILITIES WHICH CONFLICT WITH THE PROPOSED IMPROVEMENTS SHOWN ON THE PLANS.
8. CONTRACTOR SHALL COORDINATE WITH ALL UTILITY COMPANIES FOR INSTALLATION REQUIREMENTS AND SPECIFICATIONS.
9. CONTRACTOR SHALL COORDINATE INSPECTION OF UTILITY LINES WITH APPROPRIATE AUTHORITIES PRIOR TO BACKFILLING TRENCHES.
10. CONTRACTOR SHALL COMPLY WITH THE LATEST OSHA STANDARDS OR DIRECTIVES OR ANY OTHER AGENCY HAVING JURISDICTION FOR EXCAVATION AND TRENCHING PROCEDURES. THE CONTRACTOR SHALL BE RESPONSIBLE FOR THE DESIGN AND MAINTENANCE OF ALL SUPPORT SYSTEMS, SLOPING, BENCHING, AND OTHER MEANS OF PROTECTION.
11. CONTRACTOR SHALL COORDINATE INSTALLATION OF UTILITIES WITH LOCAL COMPANIES TO AVOID CONFLICTS AND TO ASSURE THAT PROPER DEPTHS ARE ACHIEVED. CONTRACTOR SHALL COORDINATE WITH LOCAL UTILITY COMPANIES FOR EXACT LOCATION AND SCHEDULING OF CONNECTIONS TO THEIR FACILITIES.
12. THE LOCATION OF EXISTING UNDERGROUND UTILITIES ARE SHOWN IN AN APPROXIMATE WAY ONLY DUE TO THE LACK OF AVAILABLE DOCUMENTATION. ALL UTILITIES, INCLUDING CURB BOXES, MAY NOT BE SHOWN ON THESE DRAWINGS. THE CONTRACTOR SHALL CALL THE "DIG SAFE CENTER" TO HAVE ALL UTILITIES MARKED ON THE GROUND PRIOR TO THE START OF CONSTRUCTION.
13. THE CONTRACTOR SHALL BE RESPONSIBLE FOR DETERMINING THE EXACT LOCATION OF ALL EXISTING UTILITIES. THE CONTRACTOR SHALL BE FULLY RESPONSIBLE FOR ANY AND ALL DAMAGES WHICH OCCUR DUE TO HIS FAILURE TO LOCATE AND PRESERVE ANY AND ALL UNDERGROUND UTILITIES.
14. DO NOT INTERRUPT EXISTING UTILITIES WITHOUT AUTHORIZATION FROM THE OWNER, OWNERS OF ADJACENT PROPERTIES, AND THE CORRESPONDING UTILITY OWNER. CONTRACTOR SHALL ARRANGE TO SHUT OFF UTILITIES, AS REQUIRED, WITH THE UTILITY OWNERS.
15. COORDINATE UTILITY TERMINATION WITH UTILITY OWNERS.
SEWER:
1. SANITARY SEWER MAINS AND LATERALS SHALL BE PVC PIPE CONFORMING TO ASTM D 3034-SDR35. THE MINIMUM SIZE FOR SEWER MAINS SHALL BE 8", SEWER LATERALS SHALL BE 4" MIN.
2. ALL SANITARY SEWERS, SEWER FORCE MAINS, AND SEWER LATERALS SHALL BE INSTALLED IN FIRST-CLASS BEDDING AND IN ACCORDANCE WITH THE DEPARTMENT OF PUBLIC WORKS SPECIFICATIONS. SEWERS SHALL BE INSTALLED TO THE LINE AND GRADE INDICATED ON THE PLANS.
3. ONLY PRECAST CONCRETE MANHOLES OF A DESIGN APPROVED BY THE TOWN ENGINEER SHALL BE INSTALLED ON A SANITARY SEWER MAIN.
4. NO GROUNDWATER OR SURFACE WATER SHALL BE DISCHARGED INTO THE SANITARY SEWER.
5. WHERE ROCK IS ENCOUNTERED, IT SHALL BE REMOVED TO A DEPTH OF ONE FOOT BELOW THE FLOWLINE OF THE SEWER AND THE PIPE LAID IN A PROPERLY COMPACTED GRANULAR MATERIAL APPROVED BY THE TOWN ENGINEER.
6. ONLY GRANULAR MATERIAL APPROVED BY THE TOWN ENGINEER SHALL BE USED AS BACKFILL IN ANY TRENCH EXCAVATION.
WATER:
1. CONTRACTOR SHALL CONTACT THE CITY/TOWN WATER DEPARTMENT FOR SPECIFICATIONS AND MAKE OF VALVES, VALVE BOXES, FIRE HYDRANTS AND ALL OTHER WATER LINE APPURTENANCES.
2. WATER LINE TESTING AND STERILIZATION SHALL BE PERFORMED IN ACCORDANCE WITH LOCAL DPW SPECIFICATIONS AND WATER DISTRIBUTION SYSTEM. CONTRACTOR SHALL COORDINATE TESTING WITH THE CITY WATER DEPARTMENT.
3. ALL WATER MAIN SHALL BE DUCTILE IRON (D.I.), CLASS 52, AWWA C-151 (ANSI A21.40). D.I. PIPE SHALL BE DOUBLE CEMENT LINED WITH A SEAL COAT CONFORMING TO AWWA C-104 (ANSI A-21.4).
4. JOINTS FOR D.I. PIPE SHALL BE PUSH-ON OR OTHERWISE APPROVED, AWWA C151(ANSI A-21.51) WITH GASKETS CONFORMING TO AWWA C-111 (ANSI A-21.11) MAXIMUM LENGTH OF PIPE TO BE 20 L.F.
5. ALL FITTINGS SHALL BE DUCTILE IRON CLASS 53 WITH PRESSURE RATING OF 350 PSI AND MECHANICAL JOINTS CONFORMING TO AWWA C-151 (ANSI A21.51).
6. RETAINER GLANDS: RETAINER GLANDS SHALL BE DESIGNED TO IMPART MULTIPLE WEDGING ACTION AGAINST THE PIPE, INCREASE ITS RESISTANCE AS THE PRESSURE INCREASES. GLANDS SHALL BE MANUFACTURED OF DUCTILE IRON CONFORMING TO ASTM A536-80. RESTRAINING DEVICES SHALL BE DUCTILE IRON HEAT-TREATED TO A MINIMUM HARDNESS OF 370 BHN. TWIST-OFF NUTS SHALL BE USED TO INSURE PROPER ACTUATING OF THE RETAINER GLAND. DIMENSIONS OF THE GLAND SHALL BE SUCH THAT IT CAN BE USED WITH THE STANDARD MECHANICAL JOINT BELL AND TEE-HEADED BOLTS CONFORMING TO ANSI/AWWA A21.1 AND ANSI/MWA 153/A21.5. THE RETAINER GLAND SHALL HAVE A WORKING PRESSURE OF 250 PSI WITH A MINIMUM SAFETY FACTOR OF 2:1 AND SHALL BE CERTIFIED BY THE MANUFACTURER TO BE COMPATIBLE WITH THE PIPE CLASS AND PIPE MANUFACTURER FOR ALL SIZES PROVIDED ON THE JOB. THE RETAINER GLAND SHALL BE MEGA-LUG AS MANUFACTURED EBAA IRON, INC., OR APPROVED EQUAL.
7. ALL WATER MAINS, UNLESS OTHERWISE NOTED, SHALL BE INSTALLED WITH A MINIMUM FIVE FEET OF COVER. WHEN CROSSING ABOVE OR BELOW WATER PIPELINES, A MINIMUM VERTICAL SEPARATION OF SIX INCHES SHALL BE PROVIDED. WHEN CROSSING SANITARY SEWERS, A MINIMUM OF 18" SHALL BE PROVIDED.

SITE UTILITY NOTES (CONTINUED)

- 8. THE INSTALLED WATER MAIN SHALL BE PRESSURE TESTED, FLUSHED AND DISINFECTED BY CONTRACTOR IN ACCORDANCE WITH AWWA C-600 AND AWWA C-651 OR PER CITY/TOWN WATER DEPARTMENT STANDARDS.
9. DUCTILE IRON PIPES SHALL BE INSTALLED IN ACCORDANCE WITH AWWA C-600.
10. ALL MECHANICAL JOINTS ARE TO BE RESTRAINED. FITTINGS SHALL BE RESTRAINED BY MECHANICAL JOINT RESTRAINTS. THE PIPE CONNECTED TO THE FITTING SHALL BE RESTRAINED PER THE MANUFACTURER'S SCHEDULE.
11. THE CONTRACTOR SHALL MARK THE LOCATION OF THE PROPOSED WATER MAIN AT LEAST 48 HOURS PRIOR TO EXCAVATING. EXCAVATION SHALL NOT PROCEED WITHOUT AUTHORIZATION BY THE ENGINEER.
12. ALL WATER MAINS, HYDRANT BRANCHES, AND SERVICES SHALL HAVE UTILITY WARNING TAPE. THE TAPE SHALL BE BURIED APPROXIMATELY 2 FEET BELOW FINISHED GRADE.
13. BACKFILL SHALL BE COMPACTED TO 95 PERCENT OF THE STANDARD PROCTOR DENSITY AS DETERMINED BY ASTM D698. COMPACTION EQUIPMENT USED MUST BE SPECIFICALLY DESIGNED FOR COMPACTION. TAMPING WITH THE BACK OF THE BACK HOE BUCKET IS UNACCEPTABLE COMPACTION.
14. ALL WATER SERVICES SHALL BE 1" DIA. COPPER TUBING TYPE K, SOFT TEMPER CONFORMING TO ASTM B88 UNLESS OTHERWISE NOTED.
15. DEPRESS WATER MAIN UNDER EXISTING SERVICES AND HYDRANT BRANCHES TO MAINTAIN 5'-0" OF COVER.
16. ALL WATER MAINS SHALL BE LAID PER THE PLANS TO MAINTAIN THE MAXIMUM SEPARATION FROM EXISTING OR PROPOSED SANITARY SEWER. DISTANCE SHALL BE MEASURED EDGE TO EDGE.
17. IDENTIFY EACH PIPE LENGTH & FITTING CLEARLY WITH MANUFACTURE'S NAME & TRADEMARK. NOMINAL PIPE SIZE & MATERIAL DESIGNATION.
18. ALL WATER MAINS & SERVICE PIPES SHALL BE LAID IN A TRENCH SEPARATE FROM ANY OTHER UTILITY (GAS, ELECTRIC, TELEPHONE, ETC.) SHALL BE A MINIMUM NO LESS THAN FIVE (5) FEET FROM ANOTHER UTILITY.
19. ALL MATERIAL SHALL BE IN ACCORDANCE WITH CITY/TOWN WATER DEPARTMENT "RULES & REGULATIONS". ALL WORK TO BE PERFORMED IN ACCORDANCE WITH CITY/TOWN WATER DEPARTMENT "SPECIFICATIONS". CITY/TOWN WATER DEPARTMENT STANDARDS SHALL TAKE PRECEDENCE OVER ANY REQUIREMENTS LISTED ABOVE.

CONSTRUCTION NOTES

506 Granby Road
South Hadley, MA
Map 32 Parcel 52



PREPARED FOR:

Sai SHYAM, LLC
c/o Himanshu Patel
506 Granby Road
South Hadley, MA 01075

ISSUANCE DATE: August 18, 2025

Table with 2 columns: REVISIONS, DATE. Multiple empty rows for revisions.

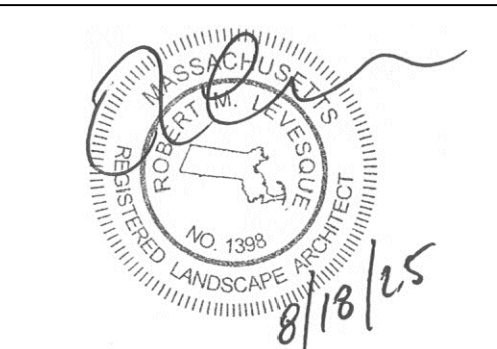
DRAFTED BY: M.B.

UNAUTHORIZED ALTERATION OF THIS DOCUMENT IS A VIOLATION OF MASSACHUSETTS STATE LAW

SCALE: As Noted

RLA PROJ. NUMBER: 240926

Table with 2 columns: DRAWING#, REV. Row 1: C-2, -



PREPARED FOR:

SAI SHYAM, LLC
c/o Himanshu Patel
506 Granby Road
South Hadley, MA 01075

ISSUANCE DATE: August 18, 2025
REVISIONS: DATE:

DRAFTED BY: M.B.
UNAUTHORIZED ALTERATION OF THIS DOCUMENT IS A VIOLATION OF MASSACHUSETTS STATE LAW

SCALE: As Noted
RLA PROJ. NUMBER: 240926

DRAWING# REV.
C-3 -

- NOTES**
1. THE RECORD OWNER OF THE SUBJECT PARCEL IS SAI SHYAM LLC. SEE HAMPSHIRE COUNTY LAND COURT DOCUMENT #21900.
 2. THE PROPERTY LINES SHOWN HEREON ARE BASED UPON SUBDIVISION PLAN NO. 20883-C LAND IN SOUTH HADLEY, JOHN S. BRISTOL, C.E. SEPTEMBER 1954, LAND COURT BOOK 4, PAGE 244.
 3. THE EXISTING BUILDING(S) SHOWN HEREON ARE BASED ON AN APPROXIMATE MEASUREMENT OF THE OUTSIDE PERIMETER OF THE EXISTING STRUCTURES. THE ACTUAL LOCATION OF THE EXISTING BUILDING WALLS AND CORNERS SHOULD BE VERIFIED IN THE FIELD PRIOR TO ANY CONSTRUCTION WORK THAT WOULD ABUT OR TAKE PLACE ADJACENT TO THE EXISTING BUILDING(S). IF THE PLAN HEREON IS USED FOR CONSTRUCTION LAYOUT PURPOSES, THE PARTIES CONDUCTING LAYOUT SHALL CONTACT R. LEVESQUE ASSOCIATES INC. PRIOR TO SHOW LAYOUT TO DETERMINE PROPER CONTROL. PLEASE NOTE WHILE THE BUILDING(S) ARE SHOWN TO BE SQUARE, IT SHOULD NOT BE ASSUMED THAT THE WALLS ARE SQUARE OR PLUMB. R. LEVESQUE ASSOCIATES TAKES NO RESPONSIBILITY FOR THIRD PARTY LAYOUT OF THE PLAN SHOWN HEREON.
 4. THIS PLAN HAS BEEN PREPARED FOR SITE PLANNING PURPOSES AND SHALL NOT BE USED FOR THE CONVEYANCE OF LAND OR FOR ANY OTHER USE.
 5. SUBJECT PARCEL CONTAINS 175,125± S.F.
 6. THE SUBJECT PROPERTIES SHOWN HEREON MAY BE SUBJECT TO RIGHTS AND EASEMENTS AS CONTAINED IN THE VARIOUS DEEDS OF RECORD DESCRIBING SAID PROPERTIES. THE LOCATION AND EXTENT OF ANY SUCH RIGHTS AND EASEMENTS IS NOT THE SUBJECT OF THIS PLAN.
 7. WETLANDS DELINEATED BY R LEVESQUE ASSOCIATES, INC. IN OCTOBER 2024 AND MAY 2025.
 8. THE EXISTING CONDITIONS INFORMATION SHOWN IS BASED UPON A TOPOGRAPHIC SURVEY PERFORMED BY R LEVESQUE ASSOCIATES, INC. IN MAY 2025.
 9. THE UNDERGROUND UTILITIES SHOWN HEREON HAVE BEEN LOCATED FROM FIELD SURVEY INFORMATION AND AVAILABLE RECORD DATA. R. LEVESQUE ASSOCIATES, INC. MAKES NO GUARANTEE THAT THE UNDERGROUND UTILITIES SHOWN HEREON COMPRISE ALL SUCH UTILITIES IN THE AREA, EITHER IN SERVICE OR ABANDONED. R. LEVESQUE ASSOCIATES, INC. FURTHER DOES NOT WARRANT THAT THE UNDERGROUND UTILITIES SHOWN HERE ARE IN THE EXACT LOCATION INDICATED, ALTHOUGH THEY ARE LOCATED AS ACCURATELY AS POSSIBLE FROM AVAILABLE INFORMATION.
 10. ADJACENT PROPERTY LINES AND ABUTTERS SHOWN HEREON ARE REFERENCED FROM MASS GIS AND ARE APPROXIMATE.
 11. SUBJECT PARCEL IS ZONED BUSINESS A-1 (BA-1) ACCORDING TO THE SOUTH HADLEY ZONING MAP.
 12. THE SUBJECT PARCEL IS NOT LOCATED WITHIN A SPECIAL FLOOD ZONE AREA ACCORDING TO FLOOD INSURANCE RATE MAP NUMBER 2501700010A - EFFECTIVE DATE: 8/15/1979.
 13. THE SUBJECT PROPERTY IS NOT LOCATED WITHIN NATURAL HERITAGE & ENDANGERED SPECIES PROGRAM (NHESP) JURISDICTION.

ZONING REVIEW - Business A-1 (BA-1)

TYPE (MINIMUM)	REQUIRED	PROPOSED
AREA	25,000 FT ²	175,125± FT ²
FRONTAGE	125 FT	220.14 FT
FRONT YARD	0 FT	51.8± FT
SIDE YARD	15 FT	70.2± FT
REAR YARD	25 FT	26.0± FT
HEIGHT (MAX)	45 FT (3 STORIES)	<45 FT (2 STORIES)
BUILDING COVERAGE (MAX)	30%	±15%
IMPERVIOUS COVERAGE (MAX)	80%	48%
OPEN SPACE*	50%	73%
PARKING**	21*	22

* OPEN SPACE REQUIREMENTS:
At least 50% of the portions of the development containing first floor residential dwelling units shall be devoted to open space uses
The portion of development containing first floor residential dwelling units is southerly of the intermittent stream with an area of approximately 82,923± S.F.

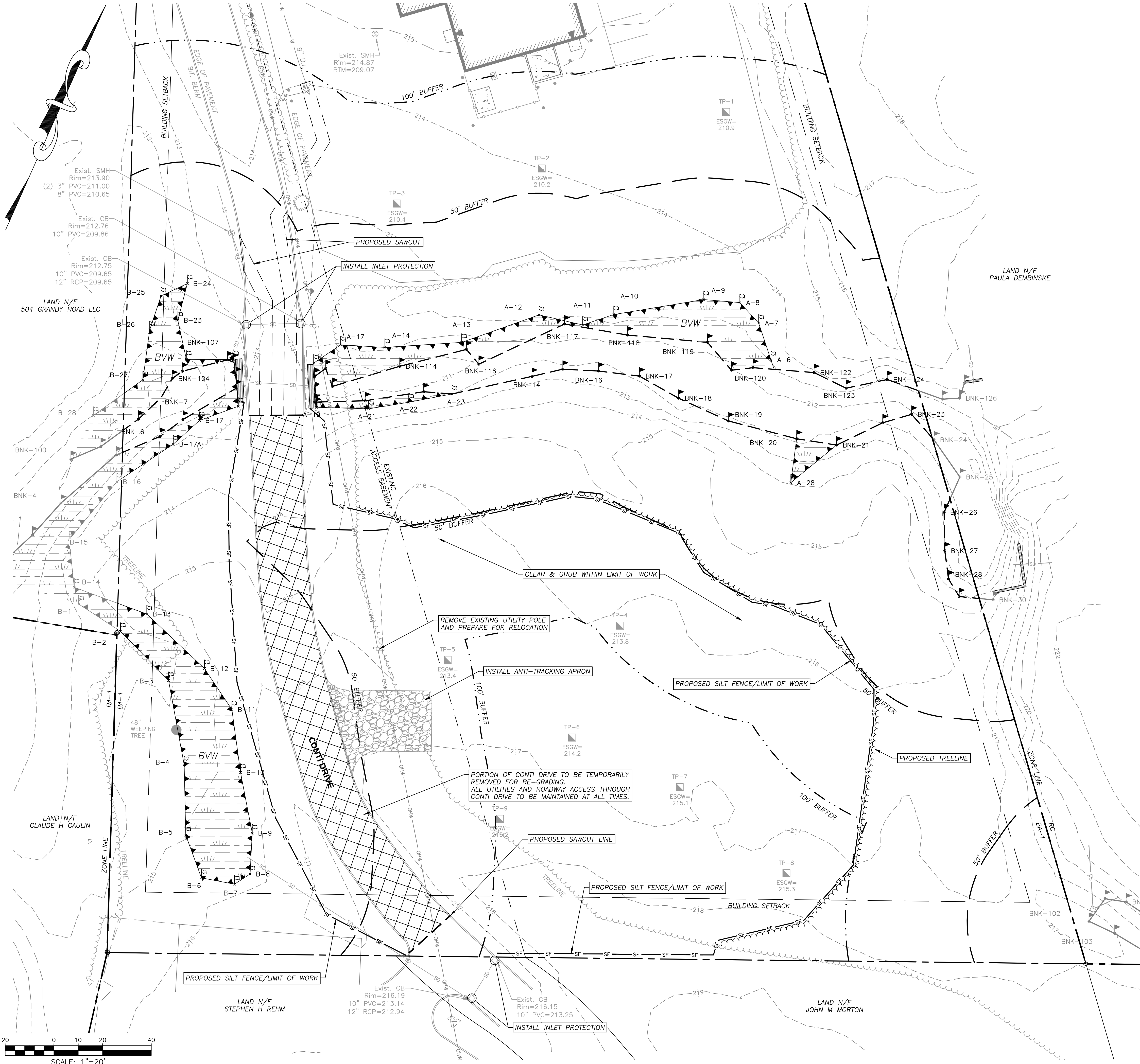
** PARKING REQUIREMENTS:
Multifamily dwelling: 1.5 spaces per dwelling unit
14 units * 1.5 = 21 REQUIRED SPACES

DENSITY REQUIREMENTS:
3,000 S.F. of land area for each family unit located thereon plus 300 S.F. of land area per bedroom in each unit.
2 bedroom units = 3,600 S.F. * 14 units = 50,400 S.F. REQUIRED LAND AREA
82,923 S.F. EXISTING LAND AREA > 50,400 S.F. REQUIRED LAND AREA



S:\Projects\2024\240926 - Parcel - 506 Granby Road, South Hadley\05 Civil 3D\240926 - SITE.dwg

S:\Projects\2024\240926 - Parcel - 506 Granby Road, South Hadley\05 Civil 3D\240926 - SITE.dwg



DEMOLITION NOTES

1. THE INFORMATION SHOWN HEREON IS NOT INTENDED TO BE AN EXHAUSTIVE SURVEY OF ALL APPURTENANCES THAT MAY OR MAY NOT BE IN PLACE TO SERVE THE EXISTING ON-SITE STRUCTURES AND USE. SEPTIC SYSTEM COMPONENTS, UNDERGROUND TANKS, AND OTHER SUB-SURFACE STRUCTURES MAY BE IN PLACE AND MAY REQUIRE ATTENTION BEFORE CONSTRUCTION MAY PROCEED.
2. CONTRACTOR SHALL CONDUCT A PRE-DEMOLITION SURVEY TO IDENTIFY ANY AND ALL UTILITIES AND UTILITY COMPONENTS TO BE DISCONTINUED, REMOVED, OR DEMOLISHED IN PLACE AND THE PRESENCE OR ABSENCE OF ANY HAZARDOUS MATERIALS.
3. CONTRACTOR SHALL BE RESPONSIBLE FOR ALL DEMOLITION, REMOVAL OR RELOCATION, INCLUDING BUT NOT LIMITED TO: ALL UTILITIES, STORM DRAINAGE, SIGNS, TRAFFIC SIGNALS & POLES, ETC. AS REQUIRED. ALL WORK SHALL BE IN ACCORDANCE WITH GOVERNING AUTHORITIES' SPECIFICATIONS AND SHALL BE APPROVED BY SUCH. ALL COSTS SHALL BE INCLUDED IN BASE BID.
4. CONTRACTOR SHALL ERECT AND MAINTAIN SAFETY BARRICADES AND POST PROPER NOTICES PRIOR TO THE COMMENCEMENT OF WORK.
5. CONTRACTOR SHALL PROTECT EXISTING SITE IMPROVEMENTS, APPURTENANCES AND LANDSCAPING TO REMAIN.
6. CONTRACTOR SHALL MAINTAIN EXISTING UTILITIES TO REMAIN IN SERVICE AND PROTECT THEM FROM DAMAGE DURING DEMOLITION OPERATIONS. ANY DAMAGE TO EXISTING UTILITIES TO REMAIN SHALL BE REPAIRED AT THE CONTRACTOR'S EXPENSE TO THE SATISFACTION OF THE UTILITY OWNER.
7. ALL UTILITY DISCONNECTION SHALL BE PERFORMED TO THE SATISFACTION OF THE RELEVANT UTILITY COMPANY AND COMPLY WITH ANY LOCAL, STATE AND/OR FEDERAL REGULATORY AGENCIES.
8. CONTRACTOR SHALL PROMPTLY TRANSPORT AND LEGALLY DISPOSE OF DEMOLISHED MATERIALS OFF OWNERS PROPERTY. DO NOT ALLOW DEMOLISHED MATERIAL TO COLLECT ON SITE. CONTRACTOR SHALL BE RESPONSIBLE FOR ALL DISPOSAL.
9. THERE SHALL BE NO BURNING OF DEMOLISHED MATERIAL ALLOWED ON SITE.
10. CONTRACTOR SHALL COORDINATE WITH OWNER FOR ANY ITEMS TO BE TURNED OVER TO OWNER.
11. CONTRACTOR IS RESPONSIBLE FOR CONTROLLING DUST SO THAT DUST DOES NOT CREATE A NUISANCE ON ADJACENT ROADS OR PROPERTIES. SITE CONTRACTOR SHALL BE RESPONSIBLE FOR STREET SWEEPING AND CATCH BASIN CLEANING AFTER EACH PHASE OF CONSTRUCTION AND AS NEED IS DETERMINED BY THE LANDSCAPE ARCHITECT/ENGINEER.
12. NO ACTIVITY SHALL OCCUR OUTSIDE OF LIMIT OF WORK LINE AS SHOWN ON PLAN WITHOUT THE APPROVAL OF THE LANDSCAPE ARCHITECT/ENGINEER AND LANDOWNER.
13. THE CONTRACTOR SHALL NOTIFY DIG SAFE @ 1-888-344-7233 A MINIMUM OF 72 HOURS (M-F) PRIOR TO COMMENCEMENT OF ANY DEMOLITION/CONSTRUCTION ACTIVITY.
14. THE LANDSCAPE ARCHITECT/ENGINEER IS NOT RESPONSIBLE FOR ANY ITEMS THAT MAY BE DISCOVERED ON-SITE DURING DEMOLITION OR CONSTRUCTION THAT WAS NOT PREVIOUSLY INDICATED ON THE SURVEYS OR INFORMATION PROVIDED.
15. PAVEMENT SHALL BE SAWCUT AT THE LIMIT OF WORK. ALL PAVING, FOOTINGS, UTILITIES, CURBING AND OTHER EXISTING IMPROVEMENTS SHALL BE REMOVED OR SUITABLY MILLED TO THE SATISFACTION OF THE OWNER AND GENERAL CONTRACTOR.

CONSTRUCTION SEQUENCE

1. CONTACT THE TOWN OF SOUTH HADLEY AT LEAST FORTY-EIGHT HOURS PRIOR TO COMMENCEMENT OF ANY DEMOLITION, CONSTRUCTION, OR EARTHWORK ACTIVITY ON THIS PROJECT.
2. CONSTRUCT ANTI-TRACKING PAD AT ENTRANCE AND INSTALL ANY REQUIRED INLET PROTECTION AS DEPICTED ON THE PLAN.
3. INSTALL SILT FENCE AS SHOWN ON THE PLANS.
4. UPON COMPLETION OF EROSION CONTROL MEASURES, CLEARING AND GRUBBING AND EARTHWORK MAY COMMENCE.
5. CLEAR AND GRUB SITE. STOCKPILE ANY CHIPPING OR TOPSOIL MATERIAL TO REMAIN ON SITE FOR LONGER THAN 14 DAYS AND INSTALL SILT FENCE AROUND THE PERIMETER OF THE STOCKPILE.
6. COMMENCE EARTHWORK BY EXCAVATING FOR THE CUT/FILL SLOPES AS SHOWN ON THE PLANS. STABILIZE/SEED ANY SLOPES THAT HAVE ACHIEVED FINAL GRADE.
7. INSTALL UTILITIES AS SHOWN ON PLANS INCLUDING WATER SERVICE, SEWER SERVICE, GAS SERVICE, ELECTRICAL SERVICE AND STORMWATER MANAGEMENT SYSTEM.
8. GRADE THE SITE TO ACCEPT PAVEMENT SECTION MATERIALS.
9. INSTALL PAVEMENT AS SPECIFIED ON THE PLANS.
10. UPON INSTALLATION OF PAVEMENT SURFACE, INSTALL INLET PROTECTION AS REQUIRED ON ANY NEW INLET STRUCTURES.
11. FINAL GRADING AND STABILIZATION OF ANY REMAINING EXPOSED AREAS.
12. AT THE DIRECTION OF THE TOWN OF SOUTH HADLEY, EROSION AND SEDIMENT CONTROL MEASURES SHALL BE REMOVED.

RLA
R LEVESQUE ASSOCIATES INC
 Landscape Architects
 Civil Engineers - Land Surveyors
 Environmental Consultants
 ph: 413.568.0985 fax: 413.568.0986
 40 School Street
 Westfield, MA 01085
 rland.com

DEMOLITION & REMOVALS PLAN

**506 Granby Road
 South Hadley, MA
 Map 32 Parcel 52**

8/18/25

PREPARED FOR:
 SAI SHYAM, LLC
 c/o Himanshu Patel
 506 Granby Road
 South Hadley, MA 01075

ISSUANCE DATE: August 18, 2025

REVISIONS:	DATE:

DRAFTED BY: M.B.

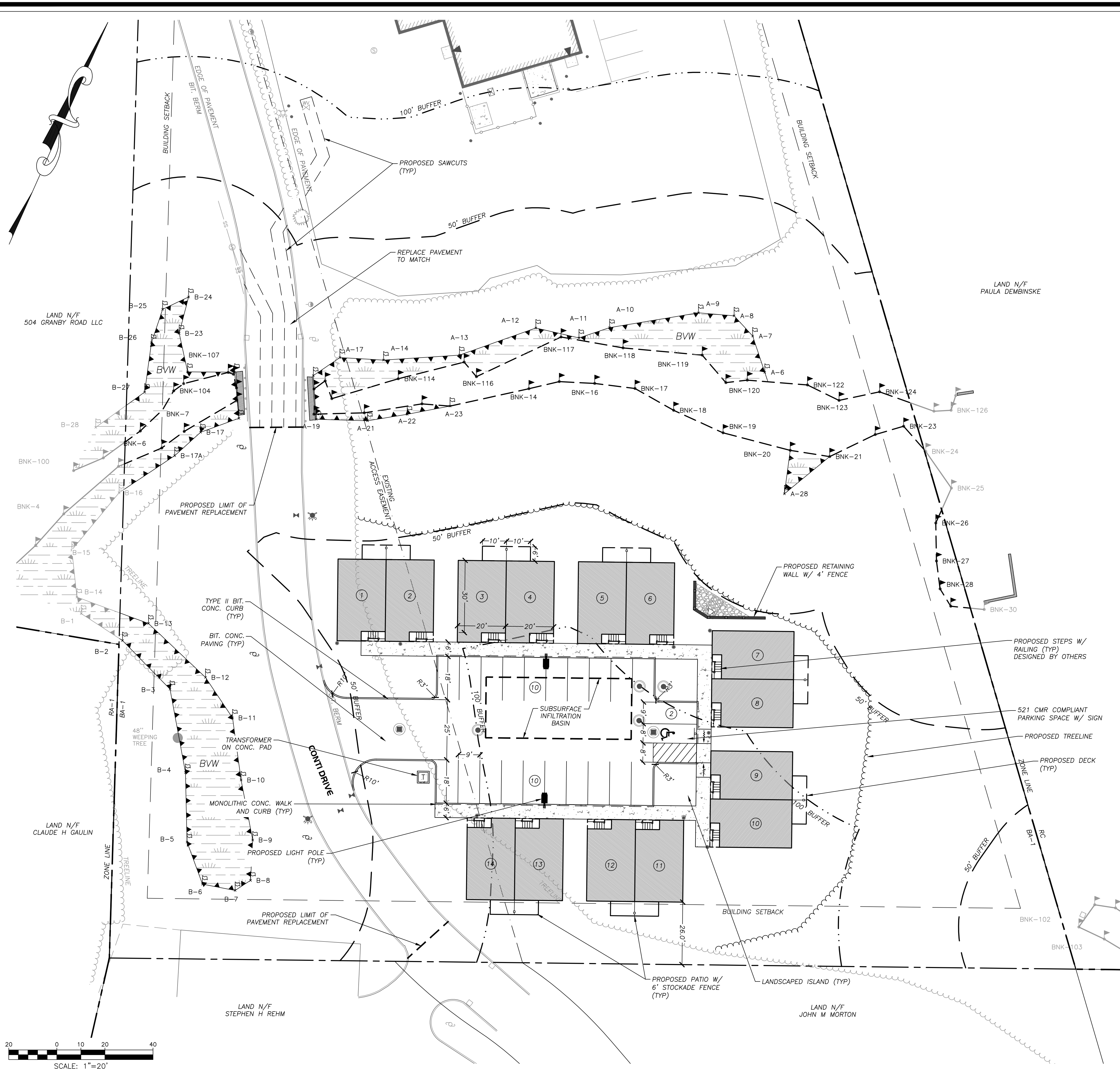
UNAUTHORIZED ALTERATION OF THIS DOCUMENT IS A VIOLATION OF MASSACHUSETTS STATE LAW

SCALE: As Noted

RLA PROJ. NUMBER: 240926

DRAWING#	REV.
C-4	-

S:\Projects\2024\240926 - Parcel - 506 Granby Road, South Hadley\05 Civil 3D\240926 - SITE.dwg



NOTES

1. THE RECORD OWNER OF THE SUBJECT PARCEL IS SAI SHYAM LLC. SEE HAMPSHIRE COUNTY LAND COURT DOCUMENT #21900.
2. THE PROPERTY LINES SHOWN HEREON ARE BASED UPON SUBDIVISION PLAN NO. 20883-C LAND IN SOUTH HADLEY, JOHN S. BRISTOL, C.E. SEPTEMBER 1954, LAND COURT BOOK 4, PAGE 244.
3. THE EXISTING BUILDING(S) SHOWN HEREON ARE BASED ON AN APPROXIMATE MEASUREMENT OF THE OUTSIDE PERIMETER OF THE EXISTING STRUCTURES. THE ACTUAL LOCATION OF THE EXISTING BUILDING WALLS AND CORNERS SHOULD BE VERIFIED IN THE FIELD PRIOR TO ANY CONSTRUCTION WORK THAT WOULD ADJUT OR TAKE PLACE ADJACENT TO THE EXISTING BUILDING(S). IF THE PLAN HEREON IS USED FOR CONSTRUCTION LAYOUT PURPOSES, THE PARTIES CONDUCTING LAYOUT SHALL CONTACT R. LEVESQUE ASSOCIATES INC. PRIOR TO SAID LAYOUT TO DETERMINE PROPER CONTROL. PLEASE NOTE WHILE THE BUILDING(S) ARE SHOWN TO BE SQUARE, IT SHOULD NOT BE ASSUMED THAT THE WALLS ARE SQUARE OR PLUMB. R. LEVESQUE ASSOCIATES TAKES NO RESPONSIBILITY FOR THIRD PARTY LAYOUT OF THE PLAN SHOWN HEREON.
4. THIS PLAN HAS BEEN PREPARED FOR SITE PLANNING PURPOSES AND SHALL NOT BE USED FOR THE CONVEYANCE OF LAND OR FOR ANY OTHER USE.
5. SUBJECT PARCEL CONTAINS 175,125± S.F.
6. THE SUBJECT PROPERTIES SHOWN HEREON MAY BE SUBJECT TO RIGHTS AND EASEMENTS AS CONTAINED IN THE VARIOUS DEEDS OF RECORD DESCRIBING SAID PROPERTIES. THE LOCATION AND EXTENT OF ANY SUCH RIGHTS AND EASEMENTS IS NOT THE SUBJECT OF THIS PLAN.
7. WETLANDS DELINEATED BY R LEVESQUE ASSOCIATES, INC. IN OCTOBER 2024 AND MAY 2025.
8. THE EXISTING CONDITIONS INFORMATION SHOWN IS BASED UPON A TOPOGRAPHIC SURVEY PERFORMED BY R LEVESQUE ASSOCIATES, INC. IN MAY 2025.
9. THE UNDERGROUND UTILITIES SHOWN HEREON HAVE BEEN LOCATED FROM FIELD SURVEY INFORMATION AND AVAILABLE RECORD DATA. R. LEVESQUE ASSOCIATES, INC. MAKES NO GUARANTEE THAT THE UNDERGROUND UTILITIES SHOWN HEREON COMPRISE ALL SUCH UTILITIES IN THE AREA, EITHER IN SERVICE OR ABANDONED. R. LEVESQUE ASSOCIATES, INC. FURTHER DOES NOT WARRANT THAT THE UNDERGROUND UTILITIES SHOWN HERE ARE IN THE EXACT LOCATION INDICATED, ALTHOUGH THEY ARE LOCATED AS ACCURATELY AS POSSIBLE FROM AVAILABLE INFORMATION.
10. ADJACENT PROPERTY LINES AND ABUTTERS SHOWN HEREON ARE REFERENCED FROM MASS GIS AND ARE APPROXIMATE.
11. SUBJECT PARCEL IS ZONED BUSINESS A-1 (BA-1) ACCORDING TO THE SOUTH HADLEY ZONING MAP.
12. THE SUBJECT PARCEL IS NOT LOCATED WITHIN A SPECIAL FLOOD ZONE AREA ACCORDING TO FLOOD INSURANCE RATE MAP NUMBER 2501700010A - EFFECTIVE DATE: 8/15/1979.
13. THE SUBJECT PROPERTY IS NOT LOCATED WITHIN NATURAL HERITAGE & ENDANGERED SPECIES PROGRAM (NHESP) JURISDICTION.

ZONING REVIEW - Business A-1 (BA-1)		
TYPE (MINIMUM)	REQUIRED	PROPOSED
AREA	25,000 FT ²	175,125± FT ²
FRONTAGE	125 FT	220.14 FT
FRONT YARD	0 FT	51.8± FT
SIDE YARD	15 FT	70.2± FT
REAR YARD	25 FT	26.0± FT
HEIGHT (MAX)	45 FT (3 STORIES)	<45 FT (2 STORIES)
BUILDING COVERAGE (MAX)	30%	±15%
IMPERVIOUS COVERAGE (MAX)	80%	49%
OPEN SPACE*	50%	73%
PARKING**	21	22

*** OPEN SPACE REQUIREMENTS:**
At least 50% of the portions of the development containing first floor residential dwelling units shall be devoted to open space uses.
The portion of development containing first floor residential dwelling units is southerly of the intermittent stream with an area of approximately 82,923± S.F.

**** PARKING REQUIREMENTS:**
Multifamily dwelling: 1.5 spaces per dwelling unit
14 units * 1.5 = 21 REQUIRED SPACES

DENSITY REQUIREMENTS:
3,000 S.F. of land area for each family unit located thereon plus 300 S.F. of land area per bedroom in each unit.
2 bedroom units = 3,600 S.F. * 14 units = 50,400 S.F. REQUIRED LAND AREA
82,923 S.F. EXISTING LAND AREA > 50,400 S.F. REQUIRED LAND AREA

LAYOUT NOTES

1. SITE CONTRACTOR SHALL REFER TO REMAINING PLAN SET FOR INFORMATION REGARDING SITE LAYOUT.
2. IT SHALL BE THE SITE CONTRACTORS RESPONSIBILITY TO CROSS REFERENCE INFORMATION CONTAINED IN OTHER SHEETS WITH SITE INFORMATION SHOWN HEREON.
3. PRIOR TO SUBMITTING THEIR BID FOR CONSTRUCTION, THE SITE CONTRACTOR SHALL COMMUNICATE ANY DISCREPANCIES BETWEEN THE PROPOSED DESIGN AND THE SAID SPECIFICATIONS WITH THE PROJECT PROPONENT AND LANDSCAPE ARCHITECT/ENGINEER. SHOULD THE SITE CONTRACTOR FAIL TO COMMUNICATE ANY DISCREPANCIES, HE/SHE SHALL BE RESPONSIBLE FOR ANY COSTS RESULTING FROM SAID DISCREPANCY.

SIGNAGE AND PAVEMENT MARKING NOTES

1. STRIPE ALL PARKING AREAS AS SHOWN, INCLUDING PARKING SPACES, STOP BARS, CROSSWALKS, AND ACCESSIBLE ROUTE MARKINGS AND SYMBOLS USING WHITE TRAFFIC PAINT. PAINTED ISLANDS, FIRE LANES, AND TRAVEL WAY CENTERLINES SHALL BE PAINTED USING YELLOW TRAFFIC PAINT. ALL TRAFFIC PAINT SHALL CONFORM TO AASHTO M248 TYPE "N".
2. STOP BARS SHALL BE 12" WIDE (WHITE).
3. ALL PARKING STALL LINES SHALL BE 4" WIDE (WHITE).
4. ALL PAVEMENT MARKINGS AND SIGNS SHALL CONFORM TO "MANUAL ON UNIFORM TRAFFIC CONTROL DEVICES", "STANDARD ALPHABETS FOR HIGHWAY SIGNS AND PAVEMENT MARKINGS", MASSDOT, STATE BUILDING CODE AND ADA REQUIREMENTS, AND AS SHOWN ON THE PLANS & DETAILS.

ACCESSIBILITY NOTES

1. ALL ACCESSIBLE ROUTES, TRANSITIONS, AND ACCESSIBLE PARKING/LOADING AREAS, INCLUDING ALL ENTRANCES TO BUILDING, SHALL ADHERE TO 521 CMR.
2. SHOULD THE ARCHITECT PROVIDE ADDITIONAL ENTRANCES OR MEANS OF EGRESS, ADDITIONAL ACCESSIBLE ROUTES MAY BE REQUIRED.
3. IT IS THE RESPONSIBILITY OF THE ARCHITECT AND CONTRACTOR TO NOTIFY THE ENGINEER AND LANDSCAPE ARCHITECT OF ANY CHANGES TO THE PROPOSED BUILDING THAT WOULD AFFECT THE ACCESSIBILITY REQUIREMENTS OF THE PROPOSED SITE.
4. THE CONTRACTOR SHALL REVIEW IN DETAIL THE REQUIREMENTS OF 521 CMR AND SHALL BE RESPONSIBLE FOR CONFORMANCE WITH SAID REGULATIONS.

RLA
R LEVESQUE ASSOCIATES INC.
 Landscape Architects
 Civil Engineers - Land Surveyors
 Environmental Consultants
 ph: 413.568.0985 fax: 413.568.0986
 40 School Street
 Westfield, MA 01085
 rland.com

LAYOUT & MATERIALS PLAN

**506 Granby Road
 South Hadley, MA
 Map 32 Parcel 52**

PREPARED FOR:
 SAI SHYAM, LLC
 c/o Himanshu Patel
 506 Granby Road
 South Hadley, MA 01075

ISSUANCE DATE: August 18, 2025

REVISIONS:	DATE:

DRAFTED BY: M.B.

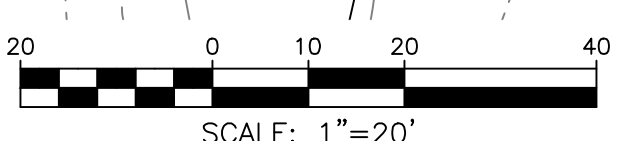
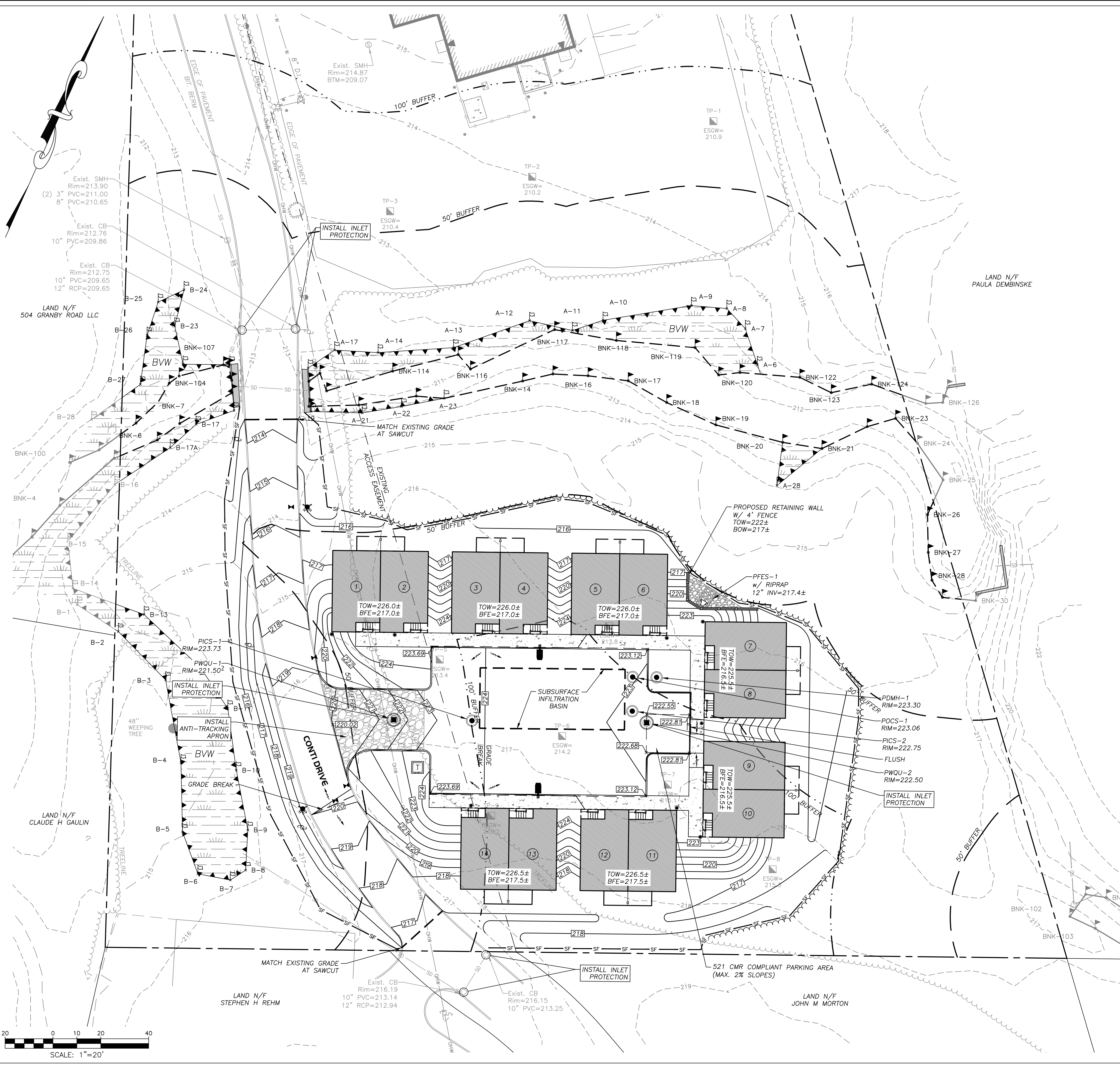
UNAUTHORIZED ALTERATION OF THIS DOCUMENT IS A VIOLATION OF MASSACHUSETTS STATE LAW

SCALE: As Noted

RLA PROJ. NUMBER: 240926

DRAWING#	REV.
C-5	-

S:\Projects\2024\240926 - Parcel - 506 Granby Road, South Hadley\05 Civil 3D\240926 - SITE.dwg



SHORT-TERM EROSION CONTROL MAINTENANCE

1. THE CONTRACTOR OR SUBCONTRACTOR WILL BE RESPONSIBLE FOR IMPLEMENTING EACH CONTROL SHOWN ON THE SEDIMENTATION AND EROSION CONTROL PLAN.
2. ALL EROSION AND SEDIMENT CONTROL DEVICES SHALL BE PROPERLY MAINTAINED DURING ALL PHASES OF CONSTRUCTION UNTIL THE COMPLETION OF ALL CONSTRUCTION ACTIVITIES AND ALL DISTURBED AREAS HAVE BEEN STABILIZED. ADDITIONAL CONTROL MEASURES WILL BE INSTALLED DURING CONSTRUCTION IN ORDER TO CONTROL EROSION AND/OR OFF-SITE SEDIMENTATION IF DEEMED NECESSARY BY ON-SITE INSPECTION.
3. EFFECTIVE EROSION CONTROL MEASURES SHALL BE INITIATED PRIOR TO THE COMMENCEMENT OF CLEARING, GRADING, EXCAVATION, OR OTHER OPERATIONS THAT WILL DISTURB THE NATURAL PROTECTION.
4. ALL SEDIMENT AND EROSION CONTROL DEVICES SHALL BE INSPECTED AT LEAST ONCE EVERY SEVEN (7) CALENDAR DAYS AND AFTER ANY STORM EVENT GREATER THAN 0.5 INCHES OF PRECIPITATION DURING ANY 24-HOUR PERIOD, AND THE INSPECTION SHALL BE DOCUMENTED IN WRITING. DAMAGED OR INEFFECTIVE DEVICES SHALL BE REPAIRED OR REPLACED, AS NECESSARY.
5. THE CONTRACTOR SHALL TAKE ALL REASONABLE PRECAUTIONS TO AVOID EXCESS EROSION OF THE SITE DUE TO THE CONSTRUCTION OF THIS PROJECT.
6. SILT SHALL BE REMOVED FROM BEHIND BARRIERS IF GREATER THAN 6-INCHES DEEP OR AS NEEDED. SEDIMENT THAT IS COLLECTED IN STRUCTURES SHALL BE DISPOSED OF PROPERLY AND COVERED IF STORED ON-SITE.
7. DAMAGED OR DETERIORATED ITEMS WILL BE REPAIRED IMMEDIATELY AFTER IDENTIFICATION.
8. ALL DITCHES SHALL BE STABILIZED AS SOON AS IS PRACTICABLE TO MINIMIZE EROSION.
9. THE CONTRACTOR SHALL MAINTAIN ALL EROSION CONTROL DEVICES IN A GOOD, WORKING STATE OF REPAIR UNTIL THEIR USE IS NO LONGER WARRANTED. AT THAT TIME, THE EROSION CONTROL DEVICES SHALL BE REMOVED AND DISPOSED OF SO AS TO CAUSE NO OFF-SITE SILTATION.
10. INSPECT AND MAINTAIN CONSTRUCTION ENTRANCE STONE SUCH THAT SEDIMENT DOES NOT TRACK ONTO THE STREET. ANY SEDIMENT TRACKED ONTO THE STREET SHALL BE CLEANED DAILY.
11. AFTER CATCH BASINS HAVE BEEN CONSTRUCTED AND THE SITE HAS BEEN PAVED, THE CONTRACTOR SHALL PROTECT THE INLETS BY CONSTRUCTING INLET PROTECTION AS SHOWN ON THE PLANS. INLET PROTECTION TO REMAIN IN PLACE AND MAINTAINED UNTIL DISTURBED AREAS HAVE BEEN STABILIZED, LOAMED AND SEEDED.
12. EROSION CONTROL MEASURES SHALL REMAIN IN PLACE UNTIL ALL DISTURBED EARTH HAS BEEN SUBSTANTIALLY STABILIZED. AFTER REMOVAL OF MEASURES, DISTURBED AREAS SHALL BE REGRADED AND STABILIZED AS NECESSARY.
13. THIS PLAN IS PROVIDED AS A BASIS FOR THE INITIAL SEDIMENTATION AND EROSION CONTROL MEASURES. IT SHALL BE THE CONTRACTOR'S RESPONSIBILITY TO UPDATE AND EXPAND THIS PLAN AS SITE CONDITIONS DICTATE. IT IS THE CONTRACTOR'S RESPONSIBILITY TO PREVENT THE OCCURRENCE OF SILTATION TO WETLAND RESOURCE AREAS AND THE MOVEMENT OF SEDIMENT BEYOND THE SITE BOUNDARIES.

CONSTRUCTION NOTES

1. THE CONTRACTOR/OWNER/DEVELOPER TO BE AWARE THAT A STORMWATER POLLUTION PREVENTION PLAN (SWPPP) AND AN ILLICIT DISCHARGE COMPLIANCE STATEMENT ARE REQUIRED PRIOR TO ANY LAND DISTURBANCE.
2. UNDERGROUND UTILITIES SHOWN HEREON ARE BASED UPON SURFACE FEATURES AS LOCATED BY SURVEY AND AVAILABLE RECORD DATA AND ARE APPROXIMATE. ACTUAL FIELD LOCATIONS SHOULD BE VERIFIED WITH THE APPROPRIATE UTILITY COMPANY AND/OR MUNICIPAL DEPARTMENT PRIOR TO CONSTRUCTION.
3. CONTRACTOR TO NOTIFY DIG SAFE A MINIMUM OF 72 HOURS PRIOR TO START OF CONSTRUCTION ACCORDING TO MA GENERAL LAWS.
4. APPROVED PLANS TO BE ON SITE AT ALL TIMES.
5. CHANGES TO THIS PLAN MAY OCCUR AS UNFORESEEN CONDITIONS ARISE. ALL CHANGES TO BE APPROVED BY DESIGN ENGINEER, FIELD INSPECTOR AND CITY/TOWN ENGINEER.
6. CONTRACTOR SHALL BE RESPONSIBLE FOR THE MAINTENANCE AND SAFETY OF TRAFFIC ON THE PUBLIC AND PRIVATE WAYS AFFECTED BY THE CONSTRUCTION OF THIS PROJECT.
7. CONTRACTOR SHALL PROTECT ALL SLOPES, VEGETATION, PAVING, WALKS, AND IMPROVEMENTS OUTSIDE THE AREAS TO BE AFFECTED BY THE CONSTRUCTION OF THIS PROJECT.
8. TREES, BRUSH AND STUMPS REMOVED BY CLEARING AND GRUBBING OPERATIONS SHALL BE TRANSPORTED OFF THE PROJECT SITE TO AN APPROVED DISPOSAL LOCATION.
9. ALL PAVEMENT MARKINGS CHANGED, ALTERED OR REMOVED SHALL BE REAPPLIED.
10. ALL CONSTRUCTION METHODS TO CONFORM TO SOUTH HADLEY PLANNING BOARD REGULATIONS AND DEPARTMENT OF PUBLIC WORKS SPECIFICATIONS.
11. SOUTH HADLEY DEPARTMENT OF PUBLIC WORKS APPROVAL IS NOT TO BE CONSTRUED AS AN ALL INCLUSIVE APPROVAL AS OTHER APPROVALS MAY BE NECESSARY, I.E. TOWN ENGINEER, CONSERVATION, FIRE DEPARTMENT, WATER DEPARTMENT, ETC.
12. EROSION CONTROL MEASURES TO BE IN PLACE PRIOR TO START OF CONSTRUCTION.

GRADING & DRAINAGE NOTES

1. SITE CONTRACTOR SHALL REFER TO REMAINING PLAN SET FOR INFORMATION REGARDING GRADING AND DRAINAGE.
2. IT SHALL BE THE SITE CONTRACTORS RESPONSIBILITY TO CROSS REFERENCE INFORMATION CONTAINED IN OTHER SHEETS WITH GRADING AND DRAINAGE INFORMATION SHOWN HEREON.
3. PRIOR TO SUBMITTING A BID FOR CONSTRUCTION, THE SITE CONTRACTOR SHALL COMMUNICATE ANY DISCREPANCIES BETWEEN THE PROPOSED DESIGN AND THE SPECIFICATIONS WITH THE PROJECT PROPONENT AND LANDSCAPE ARCHITECT/ENGINEER. SHOULD THE SITE CONTRACTOR FAIL TO COMMUNICATE ANY DISCREPANCIES, HE/SHE SHALL BE RESPONSIBLE FOR ANY COSTS RESULTING FROM SAID DISCREPANCY.
4. CONTRACTOR SHALL NOTIFY LANDSCAPE ARCHITECT/ENGINEER OF ANY UNEXPECTED CONDITIONS THAT ARE ENCOUNTERED DURING CONSTRUCTION.
5. ONCE DRAINAGE SYSTEM IS INSTALLED AND FUNCTIONING, THE OWNER/SITE CONTRACTOR SHALL COORDINATE WITH R LEVESQUE ASSOCIATES, INC. (RLA) TO CONDUCT A POST-CONSTRUCTION ANALYSIS OF THE DRAINAGE SYSTEM DURING ACTUAL STORM EVENTS TO DETERMINE THE FUNCTIONALITY OF THE INSTALLED DRAINAGE SYSTEM DURING SAID EVENTS. SHOULD THE DRAINAGE SYSTEM NOT FUNCTION AS DESIGNED UNDER REAL WORLD CONDITIONS, RLA WILL RECOMMEND ADJUSTMENTS TO THE DRAINAGE SYSTEM TO BE IMPLEMENTED BY THE OWNER/SITE CONTRACTOR.
6. ALL UTILITY CONSTRUCTION SHALL CONFORM TO THEIR RESPECTIVE TOWN DEPARTMENT SPECIFICATIONS.
7. CONTRACTOR TO ACHIEVE POSITIVE DRAINAGE AWAY FROM PROPOSED BUILDINGS.

ACCESSIBILITY NOTES

1. ALL ACCESSIBLE ROUTES, TRANSITIONS, AND ACCESSIBLE PARKING/LOADING AREAS, INCLUDING ALL ENTRANCES TO BUILDING, SHALL ADHERE TO 521 CMR.
2. SHOULD THE ARCHITECT PROVIDE ADDITIONAL ENTRANCES OR MEANS OF EGRESS, ADDITIONAL ACCESSIBLE ROUTES MAY BE REQUIRED.
3. IT IS THE RESPONSIBILITY OF THE ARCHITECT AND CONTRACTOR TO NOTIFY THE ENGINEER AND LANDSCAPE ARCHITECT OF ANY CHANGES TO THE PROPOSED BUILDING THAT WOULD AFFECT THE ACCESSIBILITY REQUIREMENTS OF THE PROPOSED SITE.
4. THE CONTRACTOR SHALL REVIEW IN DETAIL THE REQUIREMENTS OF 521 CMR AND SHALL BE RESPONSIBLE FOR CONFORMANCE WITH SAID REGULATIONS.

RLA
R LEVESQUE ASSOCIATES INC.
 Landscape Architects
 Civil Engineers - Land Surveyors
 Environmental Consultants
 ph: 413.568.0985 fax: 413.568.0986
 40 School Street
 Westfield, MA 01085
 rland.com

GRADING, EROSION & SEDIMENTATION CONTROL PLAN
 506 Granby Road
 South Hadley, MA
 Map 32 Parcel 52

PREPARED FOR:
 SAI SHYAM, LLC
 c/o Himanshu Patel
 506 Granby Road
 South Hadley, MA 01075

ISSUANCE DATE: August 18, 2025

REVISIONS:	DATE:

DRAFTED BY: M.B.

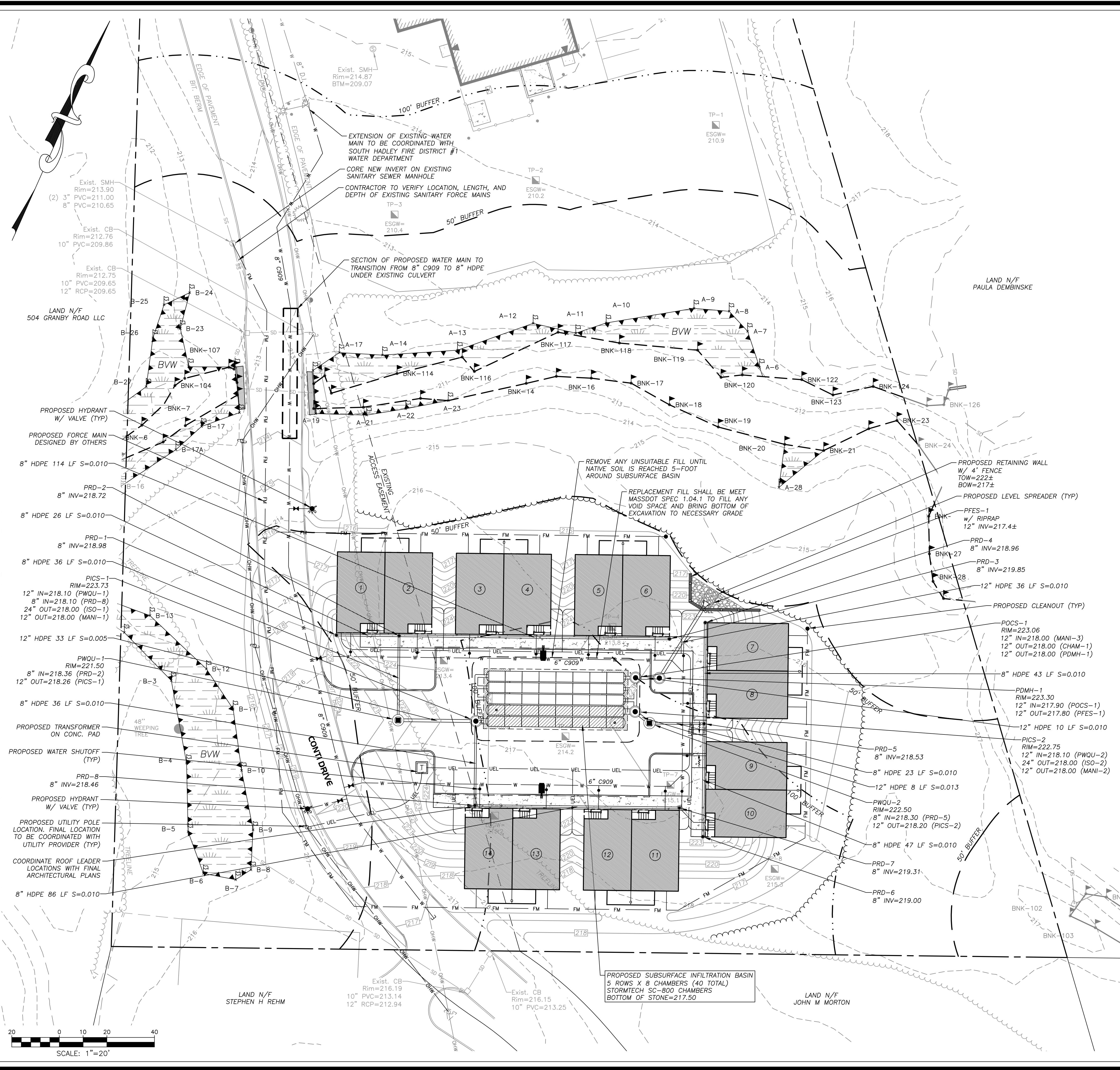
UNAUTHORIZED ALTERATION OF THIS DOCUMENT IS A VIOLATION OF MASSACHUSETTS STATE LAW

SCALE: As Noted

RLA PROJ. NUMBER: 240926

DRAWING#	REV.
C-6	-

S:\Projects\2024\240926 - Parcel - 506 Granby Road, South Hadley\05 Civil\3D\240926 - SITE.dwg



CONSTRUCTION NOTES

- UNDERGROUND UTILITIES SHOWN HEREON ARE BASED UPON SURFACE FEATURES AS LOCATED BY SURVEY AND AVAILABLE RECORD DATA AND ARE APPROXIMATE. ACTUAL FIELD LOCATIONS SHOULD BE VERIFIED WITH THE APPROPRIATE UTILITY COMPANY AND/OR MUNICIPAL DEPARTMENT PRIOR TO CONSTRUCTION.
- CONTRACTOR TO NOTIFY DIG SAFE A MINIMUM OF 72 HOURS PRIOR TO START OF CONSTRUCTION ACCORDING TO MA GENERAL LAWS.
- APPROVED PLANS TO BE ON SITE AT ALL TIMES.
- CHANGES TO THIS PLAN MAY OCCUR AS UNFORESEEN CONDITIONS ARISE. ALL CHANGES TO BE APPROVED BY DESIGN ENGINEER, FIELD INSPECTOR AND CITY/TOWN ENGINEER.
- CONTRACTOR SHALL BE RESPONSIBLE FOR THE MAINTENANCE AND SAFETY OF TRAFFIC ON THE PUBLIC AND PRIVATE WAYS AFFECTED BY THE CONSTRUCTION OF THIS PROJECT.
- CONTRACTOR SHALL PROTECT ALL SLOPES, VEGETATION, PAVING, WALKS, AND IMPROVEMENTS OUTSIDE THE AREAS TO BE AFFECTED BY THE CONSTRUCTION OF THIS PROJECT.
- TREES, BRUSH AND STUMPS REMOVED BY CLEARING AND GRUBBING OPERATIONS SHALL BE TRANSPORTED OFF THE PROJECT SITE TO AN APPROVED DISPOSAL LOCATION.
- CALCIUM CHLORIDE/WATER FOR DUST CONTROL TO BE AVAILABLE AT ALL TIMES.
- ALL PAVEMENT MARKINGS CHANGED, ALTERED OR REMOVED SHALL BE REAPPLIED.
- ALL CONSTRUCTION METHODS TO CONFORM TO SOUTH HADLEY PLANNING BOARD REGULATIONS AND BOARD OF PUBLIC WORKS SPECIFICATIONS.
- SOUTH HADLEY DEPARTMENT OF PUBLIC WORKS APPROVAL IS NOT TO BE CONSTRUED AS AN ALL INCLUSIVE APPROVAL AS OTHER APPROVALS MAY BE NECESSARY, I.E. TOWN ENGINEER, CONSERVATION, FIRE DEPARTMENT, WATER DEPARTMENT, ETC.
- ALL CATCH BASINS TO HAVE 48" SEALED SUMPS AND HOODS.
- EROSION CONTROL MEASURES TO BE IN PLACE PRIOR TO START OF CONSTRUCTION.

GRADING & DRAINAGE NOTES

- SITE CONTRACTOR SHALL REFER TO REMAINING PLAN SET FOR INFORMATION REGARDING GRADING AND DRAINAGE.
- IT SHALL BE THE SITE CONTRACTOR'S RESPONSIBILITY TO CROSS REFERENCE INFORMATION CONTAINED IN OTHER SHEETS WITH GRADING AND DRAINAGE INFORMATION SHOWN HEREON.
- PRIOR TO SUBMITTING A BID FOR CONSTRUCTION, THE SITE CONTRACTOR SHALL COMMUNICATE ANY DISCREPANCIES BETWEEN THE PROPOSED DESIGN AND THE SPECIFICATIONS WITH THE PROJECT PROPONENT AND LANDSCAPE ARCHITECT/ENGINEER. SHOULD THE SITE CONTRACTOR FAIL TO COMMUNICATE ANY DISCREPANCIES, HE/SHE SHALL BE RESPONSIBLE FOR ANY COSTS RESULTING FROM SAID DISCREPANCY.
- CONTRACTOR SHALL NOTIFY DESIGNER/ENGINEER OF ANY UNEXPECTED CONDITIONS THAT ARE ENCOUNTERED DURING CONSTRUCTION.
- ONCE DRAINAGE SYSTEM IS INSTALLED AND FUNCTIONING, THE OWNER/SITE CONTRACTOR SHALL COORDINATE WITH R LEVESQUE ASSOCIATES, INC. (RLA) TO CONDUCT A POST-CONSTRUCTION ANALYSIS OF THE DRAINAGE SYSTEM DURING ACTUAL STORM EVENTS TO DETERMINE THE FUNCTIONALITY OF THE INSTALLED DRAINAGE SYSTEM DURING SAID EVENTS. SHOULD THE DRAINAGE SYSTEM NOT FUNCTION AS DESIGNED UNDER REAL WORLD CONDITIONS, RLA WILL RECOMMEND ADJUSTMENTS TO THE DRAINAGE SYSTEM TO BE IMPLEMENTED BY THE OWNER/SITE CONTRACTOR.
- ALL UTILITY CONSTRUCTION SHALL CONFORM TO THEIR RESPECTIVE SOUTH HADLEY DEPARTMENT SPECIFICATIONS.
- ALL FILL MATERIAL DISCOVERED UNDER INFILTRATION SITES SHALL BE REMOVED AND PROPERLY DISPOSED OF PRIOR TO INSTALLATION OF INFILTRATION STRUCTURE.
- A LICENSED SOIL EVALUATOR AND/OR PROFESSIONAL ENGINEER MUST BE PRESENT DURING GRADING AND CONSTRUCTION OF THE SUBSURFACE INFILTRATION SYSTEM TO ENSURE NATIVE OR SIMILAR SOILS UNDERLAY THE STRUCTURES.

UTILITY NOTES

- SITE CONTRACTOR SHALL REFER TO REMAINING PLAN SET FOR INFORMATION REGARDING GRADING AND DRAINAGE.
- IT SHALL BE THE SITE CONTRACTORS RESPONSIBILITY TO CROSS REFERENCE INFORMATION CONTAINED IN OTHER SHEETS WITH GRADING AND DRAINAGE INFORMATION SHOWN HEREON.
- PRIOR TO SUBMITTING A BID FOR CONSTRUCTION, THE SITE CONTRACTOR SHALL COMMUNICATE ANY DISCREPANCIES BETWEEN THE PROPOSED DESIGN AND THE SPECIFICATIONS WITH THE PROJECT PROPONENT AND LANDSCAPE ARCHITECT/ENGINEER. SHOULD THE SITE CONTRACTOR FAIL TO COMMUNICATE ANY DISCREPANCIES, HE/SHE SHALL BE RESPONSIBLE FOR ANY COSTS RESULTING FROM SAID DISCREPANCY.
- CONTRACTOR TO VERIFY ALL UTILITY CONNECTIONS AND INVERTS FROM EXISTING/PROPOSED BUILDING TO SERVICES IN THE STREET. IF ANY DISCREPANCIES EXISTS BETWEEN PLAN AND INFORMATION FOUND IN THE FIELD, CONTACT ENGINEER AND LANDSCAPE ARCHITECT IMMEDIATELY.
- SEE ARCHITECTURAL PLANS FOR BUILDING CONNECTIONS OF ALL UTILITIES.
- UTILITY CONNECTIONS (NATURAL GAS, ELECTRICAL, TELECOMMUNICATIONS, ETC) SHOWN HEREON ARE SCHEMATIC IN NATURE TO DEPICT CONNECTION OF SAID UTILITIES TO THE SUBJECT BUILDING(S). THE RESPECTIVE UTILITY PROVIDER SHALL BE RESPONSIBLE FOR THE FINAL DESIGN OF THE RELEVANT UTILITY.
- ONCE DRAINAGE SYSTEM IS INSTALLED AND FUNCTIONING, THE OWNER/SITE CONTRACTOR SHALL COORDINATE WITH R LEVESQUE ASSOCIATES, INC. (RLA) TO CONDUCT A POST-CONSTRUCTION ANALYSIS OF THE DRAINAGE SYSTEM DURING ACTUAL STORM EVENTS TO DETERMINE THE FUNCTIONALITY OF THE INSTALLED DRAINAGE SYSTEM DURING SAID EVENTS. SHOULD THE DRAINAGE SYSTEM NOT FUNCTION AS DESIGNED UNDER REAL WORLD CONDITIONS, RLA WILL RECOMMEND ADJUSTMENTS TO THE DRAINAGE SYSTEM TO BE IMPLEMENTED BY THE OWNER/SITE CONTRACTOR.
- ALL UTILITY CONSTRUCTION SHALL CONFORM TO THEIR RESPECTIVE TOWN DEPARTMENT SPECIFICATIONS.

SUBSURFACE INFILTRATION BASIN CONSTRUCTION NOTE:

A MASSACHUSETTS REGISTERED PROFESSIONAL ENGINEER OR LICENSED SOIL EVALUATOR SHALL INSPECT THE CONSTRUCTION OF THE SUBSURFACE BASIN AT THE MILESTONES LISTED BELOW. THE CONTRACTOR SHALL GIVE NOTICE OF 24 HOURS OR MORE FOR INSPECTION PURPOSES:

- EXCAVATION OF THE INFILTRATION AREA
 - INSTALLATION OF THE STONE & CHAMBERS PRIOR TO BACKFILL
 - BACKFILL OF INFILTRATION SYSTEM PRIOR TO COVERING WITH FILL
- * OVER-EXCAVATION SHALL BE REQUIRED TO REMOVE ANY FILL OR DISTURBED SOILS ASSOCIATED WITH FORMER TANK REMOVAL AND EXCAVATION UNTIL NATIVE MATERIAL IS REACHED.

RLA
R LEVESQUE ASSOCIATES INC.
 Landscape Architects
 Civil Engineers - Land Surveyors
 Environmental Consultants
 ph: 413.568.0985 fax: 413.568.0986
 40 School Street
 Westfield, MA 01085
 rland.com

DRAINAGE & UTILITIES PLAN

506 Granby Road
 South Hadley, MA
 Map 32 Parcel 52

PREPARED FOR:
 SAI SHYAM, LLC
 c/o Himanshu Patel
 506 Granby Road
 South Hadley, MA 01075

ISSUANCE DATE: August 18, 2025

REVISIONS:	DATE:

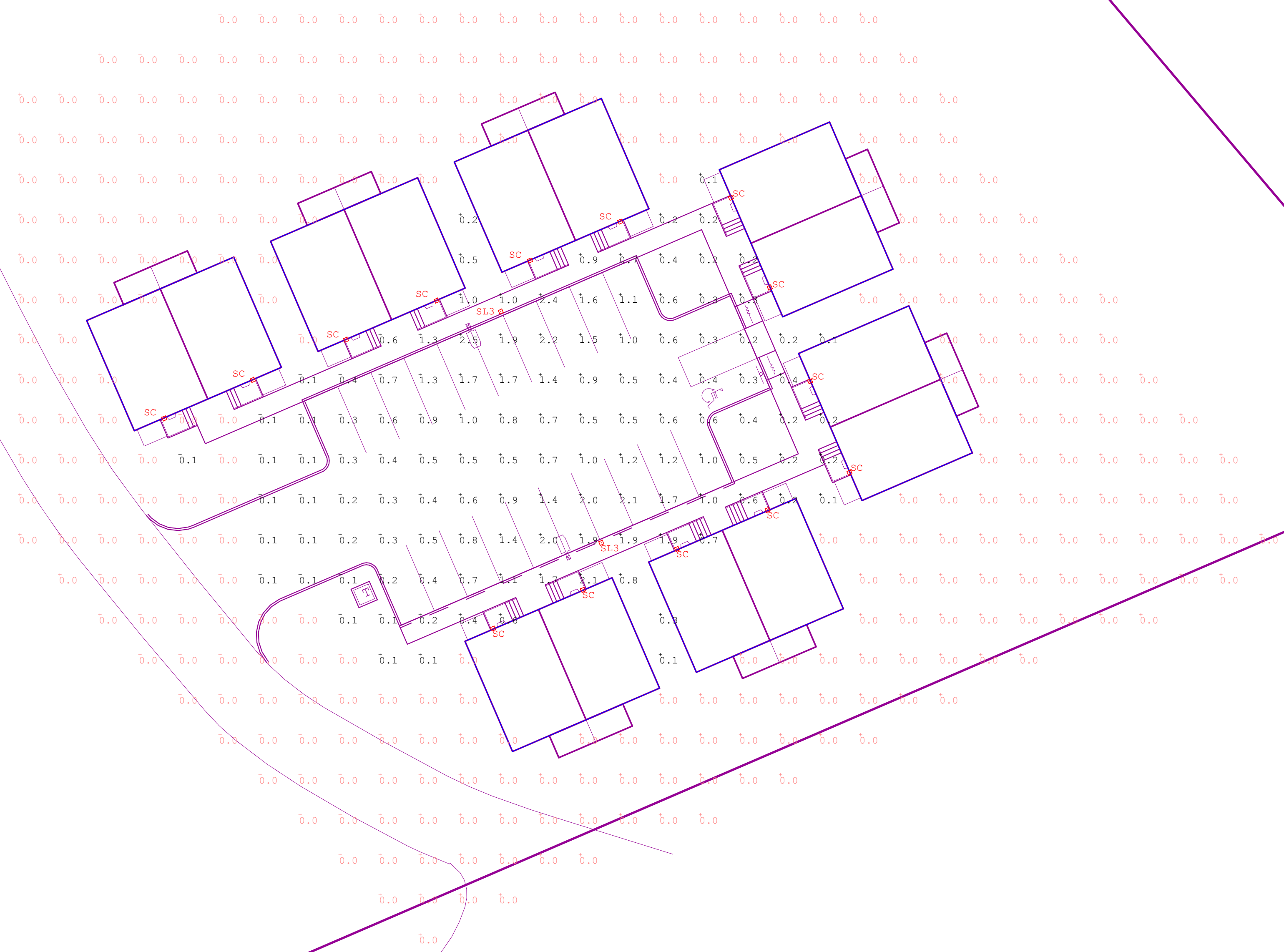
DRAFTED BY: M.B.

UNAUTHORIZED ALTERATION OF THIS DOCUMENT IS A VIOLATION OF MASSACHUSETTS STATE LAW


SCALE: As Noted

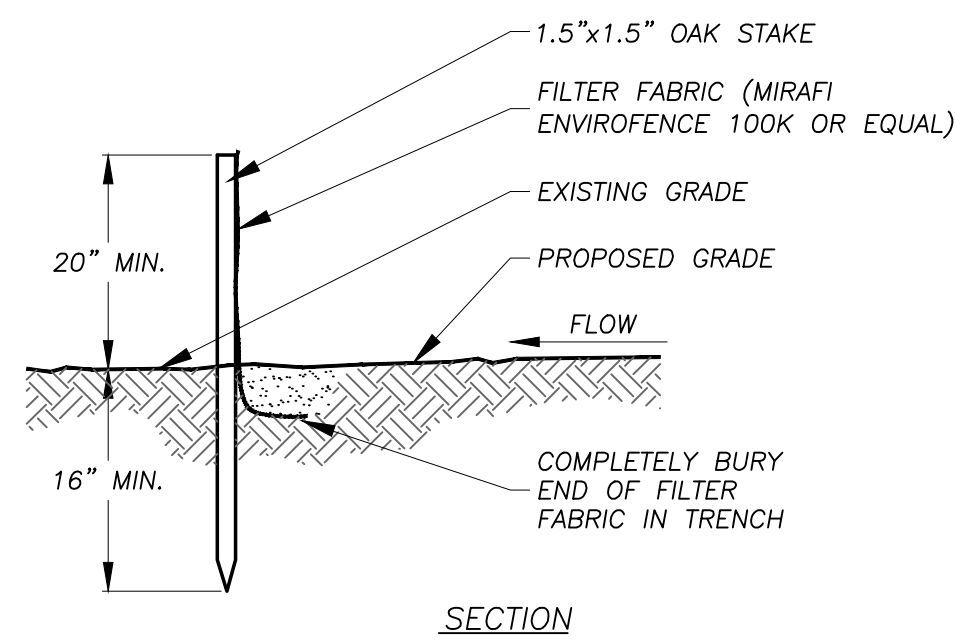
RLA PROJ. NUMBER: 240926

DRAWING#	REV.
C-7	-

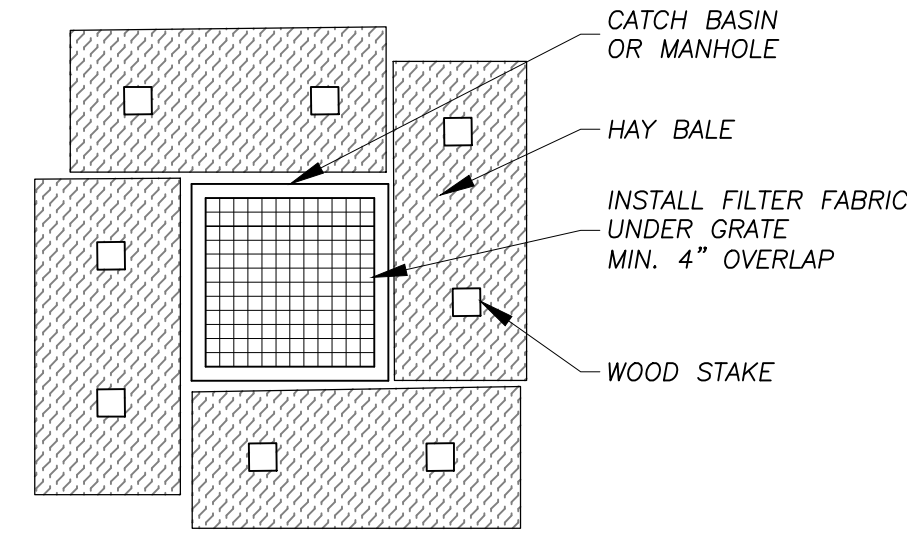


Luminaire Schedule							
Qty	Label	Arrangement	Description	LLF	Luminaire Lumens	Luminaire Watts	Total Watts
14	SC	Single	E26-A19-LED @ 6' FT	1.000	26	3.4	47.6
2	SL3	Single	1843LED-12L40T3-MDL014-SV1 @14 FT	1.000	4804	45.1	90.2

Project: 506 Grabby Road South Hadley, MA		Detail: Photometric Calculation	
		Date: 08/18/25	Revision:--
		Scale: 1"=20'	Drawn By: MGS
		Drawing Number:	
		SL-1	
263 Winn Street Burlington, MA 01803 (781) 935-8500		333 Pleasant Valley Road South Windsor, CT 06074 (860) 282-0597	
		Sheet 1 of 2	

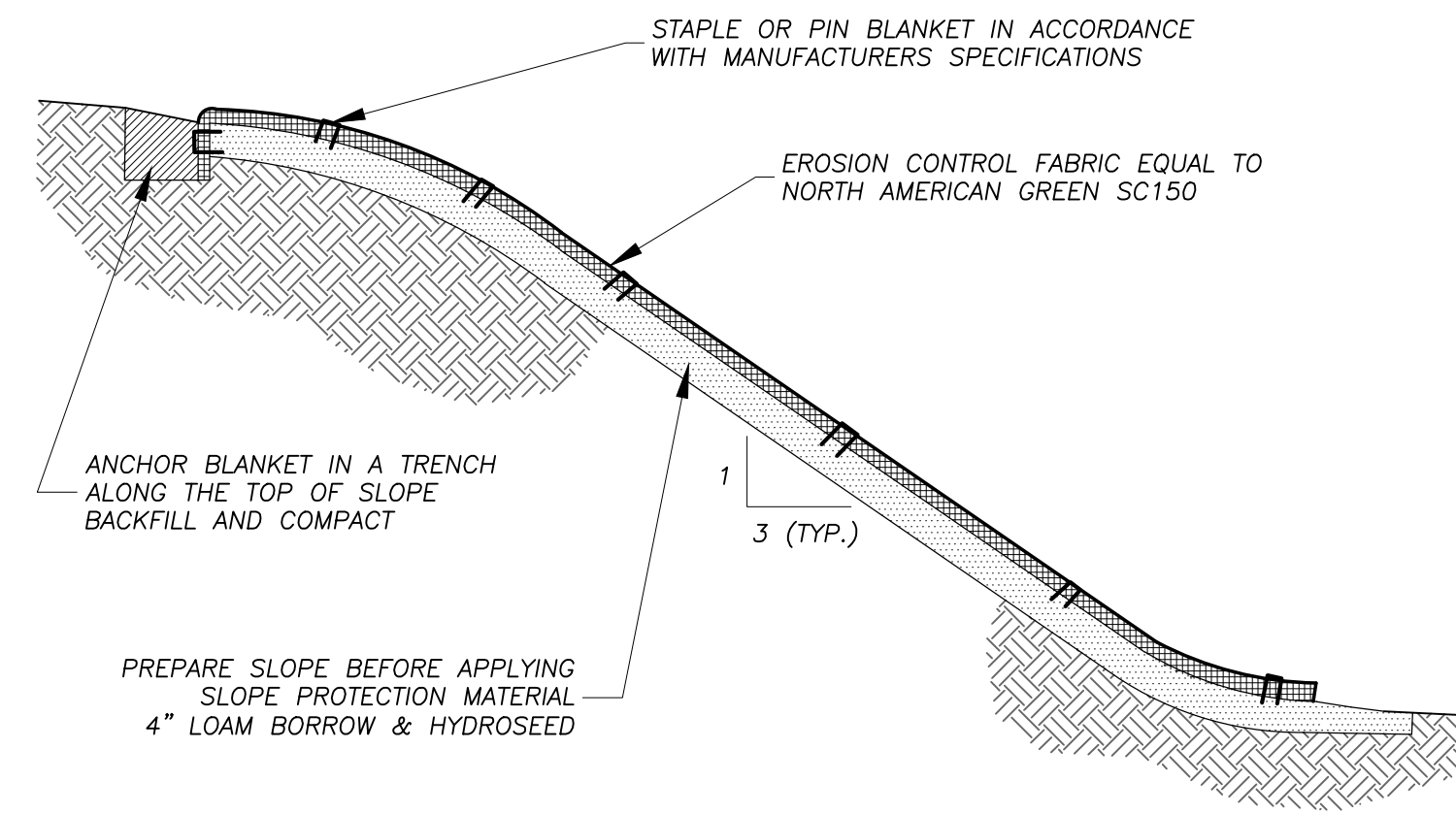


SILT FENCE DETAIL
 NO SCALE

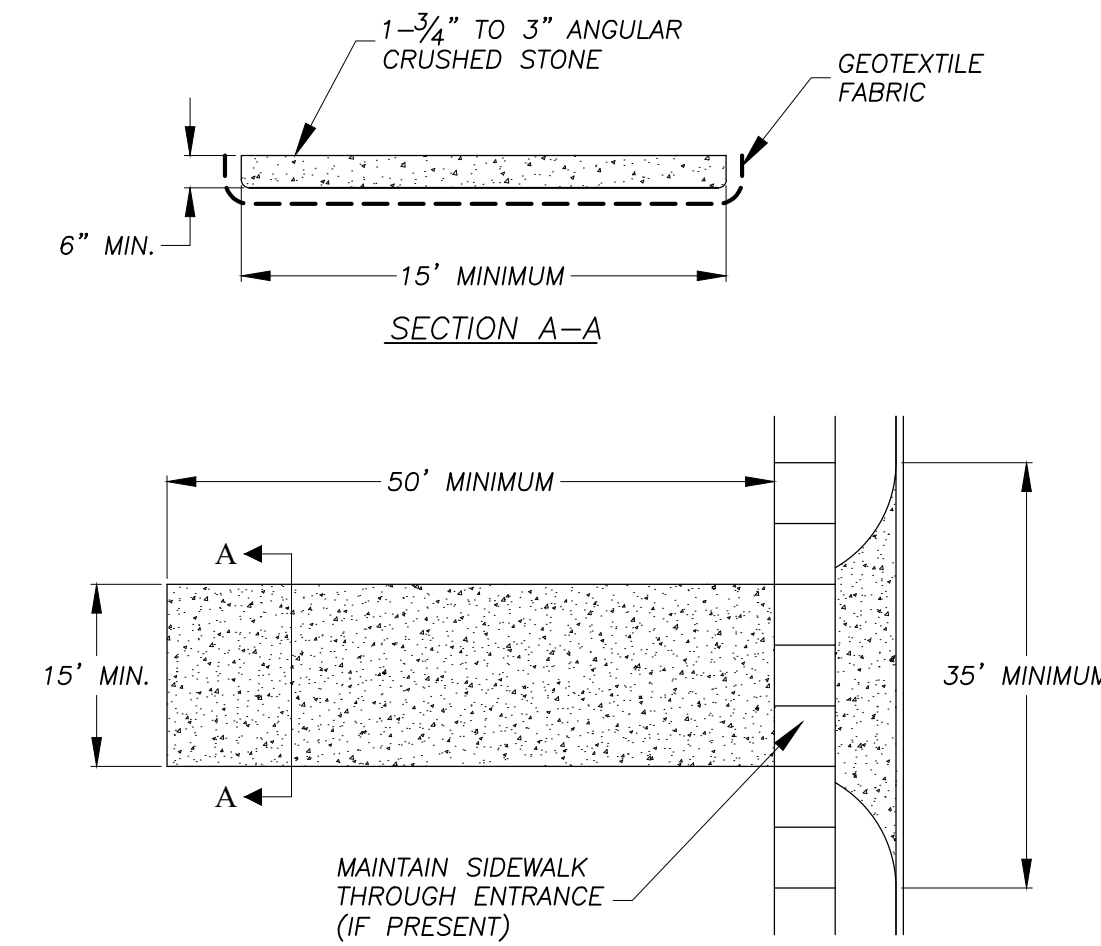


NOTE
 INSTALL BARRIER AT EACH CATCH BASIN AND DRAINAGE BASIN. CATCH BASINS IN PAVEMENT AREAS ARE TO RECEIVE ONLY THE FILTER FABRIC TREATMENT.

INLET PROTECTION - HAY BALES
 NO SCALE

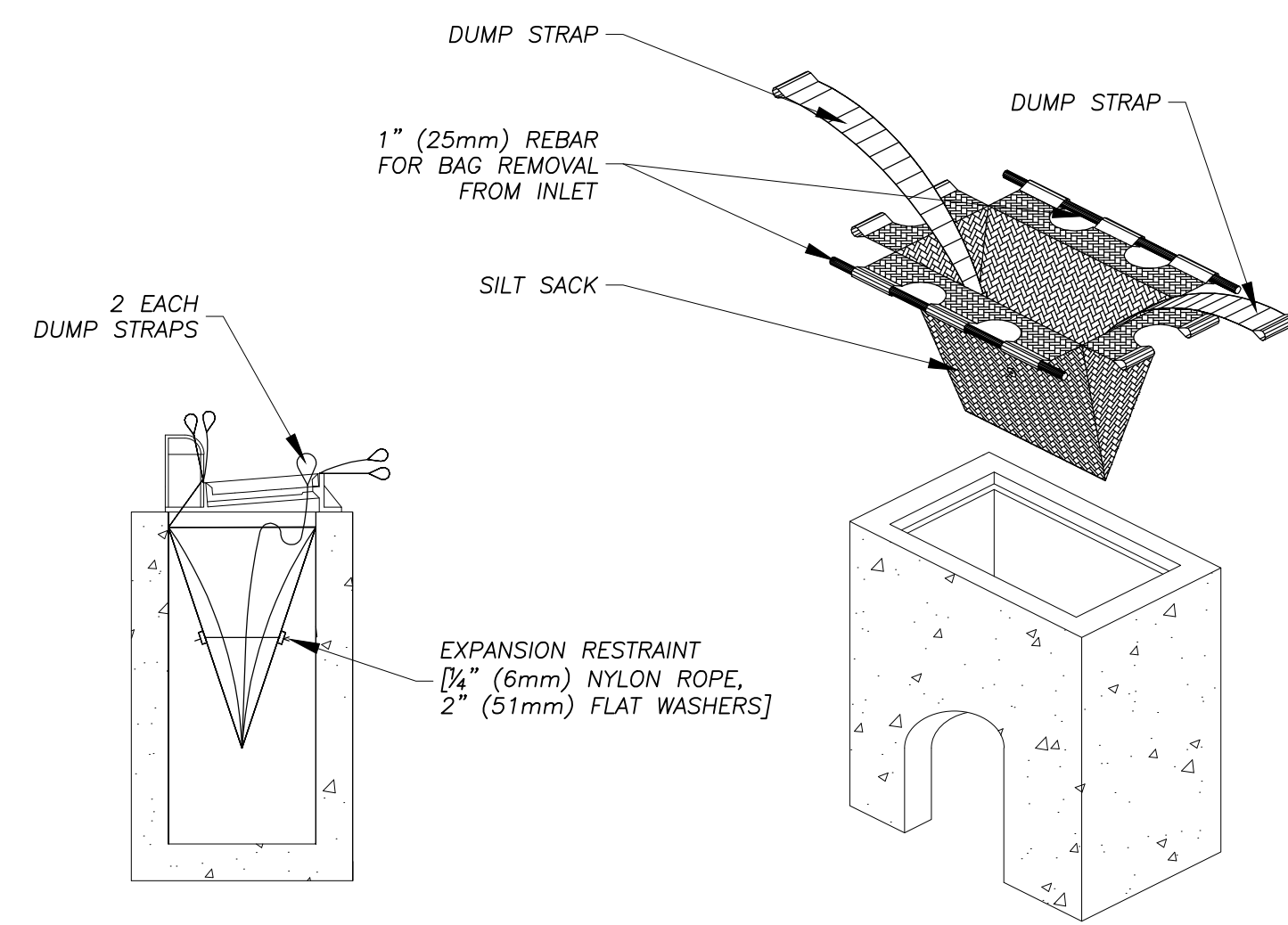


SLOPE PROTECTION MATERIAL INSTALLATION (AS REQ'D)
 NO SCALE

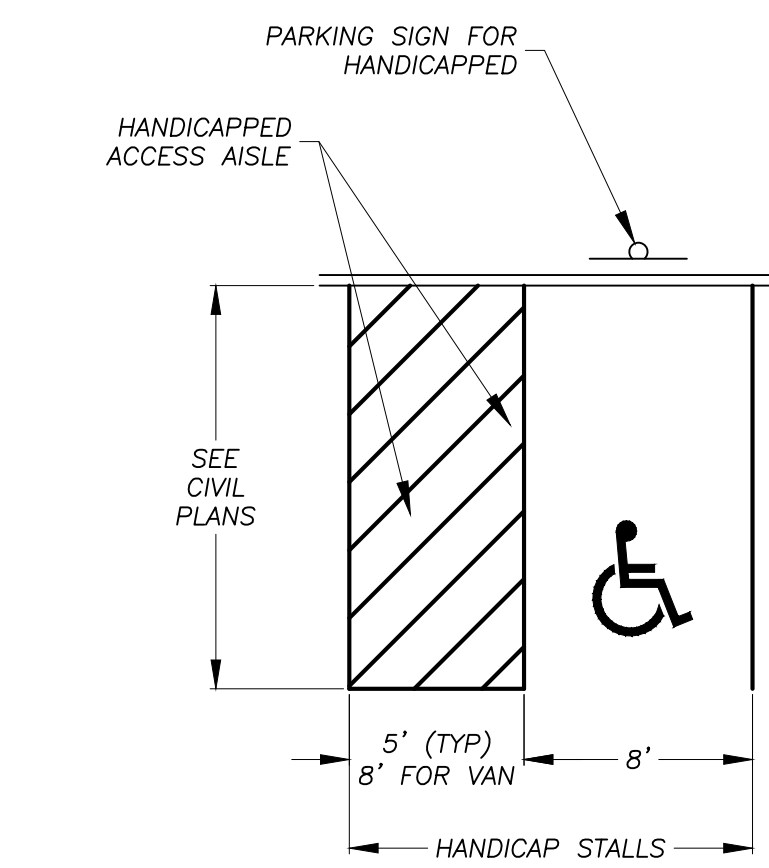


NOTES
 1. EACH SITE ENTRANCE IS TO HAVE A TEMPORARY CONSTRUCTION ENTRANCE.
 2. STONE IS TO BE 1-3/4" TO 3" ANGULAR CRUSHED STONE.
 3. PLACE GEOTEXTILE OVER THE ENTIRE AREA PRIOR TO PLACING OF STONE.
 4. ANY SEDIMENT TRACKED INTO THE ROADWAY NEEDS TO BE CLEANED IMMEDIATELY.
 5. ADDITIONAL STONE IS TO BE ADDED TO THE PAD AS NEEDED TO MAINTAIN THE ORIGINAL DEPTH.
 6. ANY SIDEWALK DAMAGED DURING CONSTRUCTION MUST BE REPLACED AT THE CONTRACTORS/DEVELOPERS EXPENSE.
 7. SIDEWALK MUST REMAIN PASSABLE, IF THE SIDEWALK BECOMES UNSAFE OR IMPASSABLE, A TEMPORARY SIDEWALK/ SIDEWALK DETOUR MUST BE PROVIDED.

ANTI-TRACKING APRON (AS REQ'D)
 NO SCALE

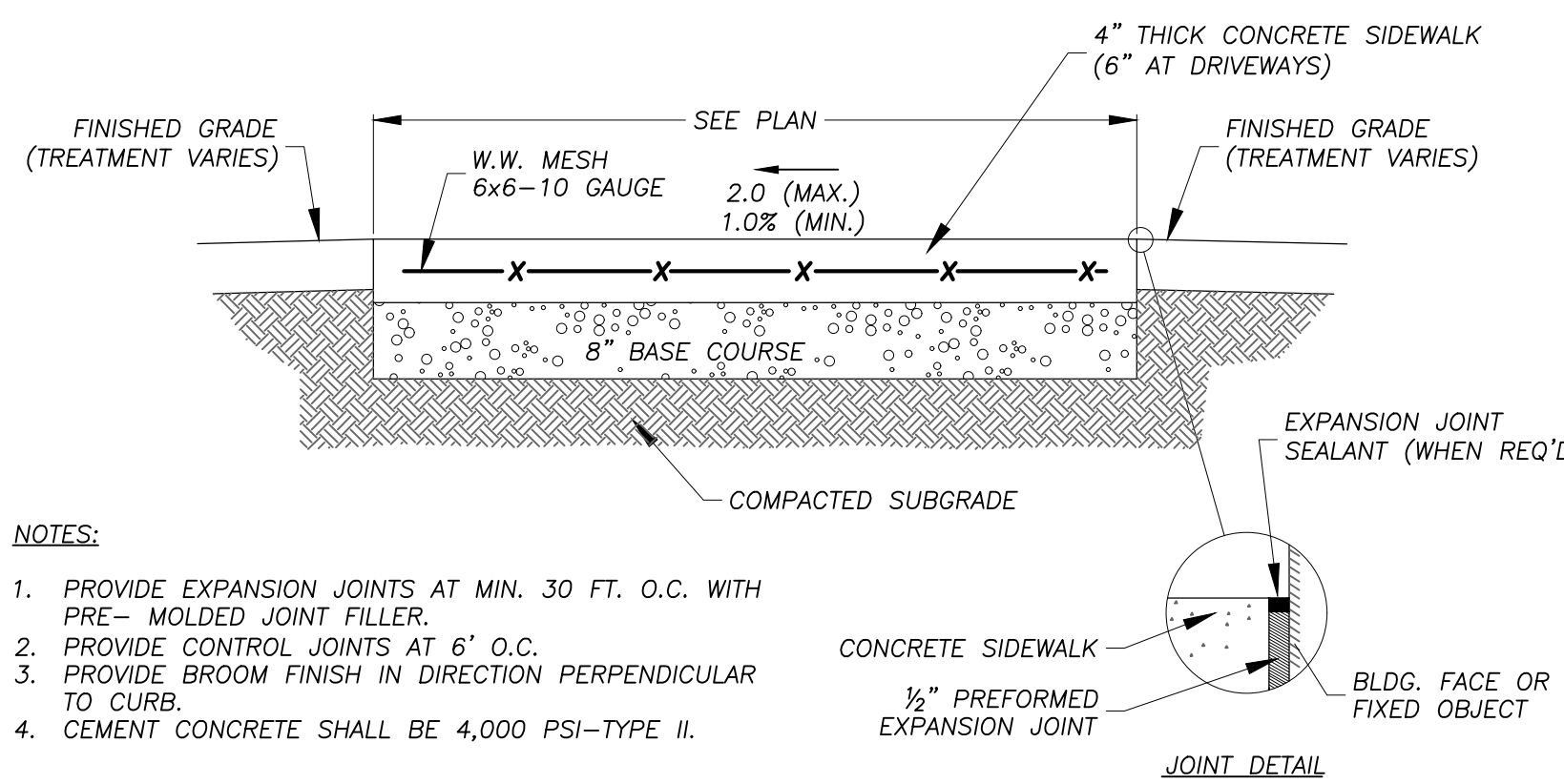


INLET PROTECTION - SEDIMENT FILTER SACK
 NO SCALE



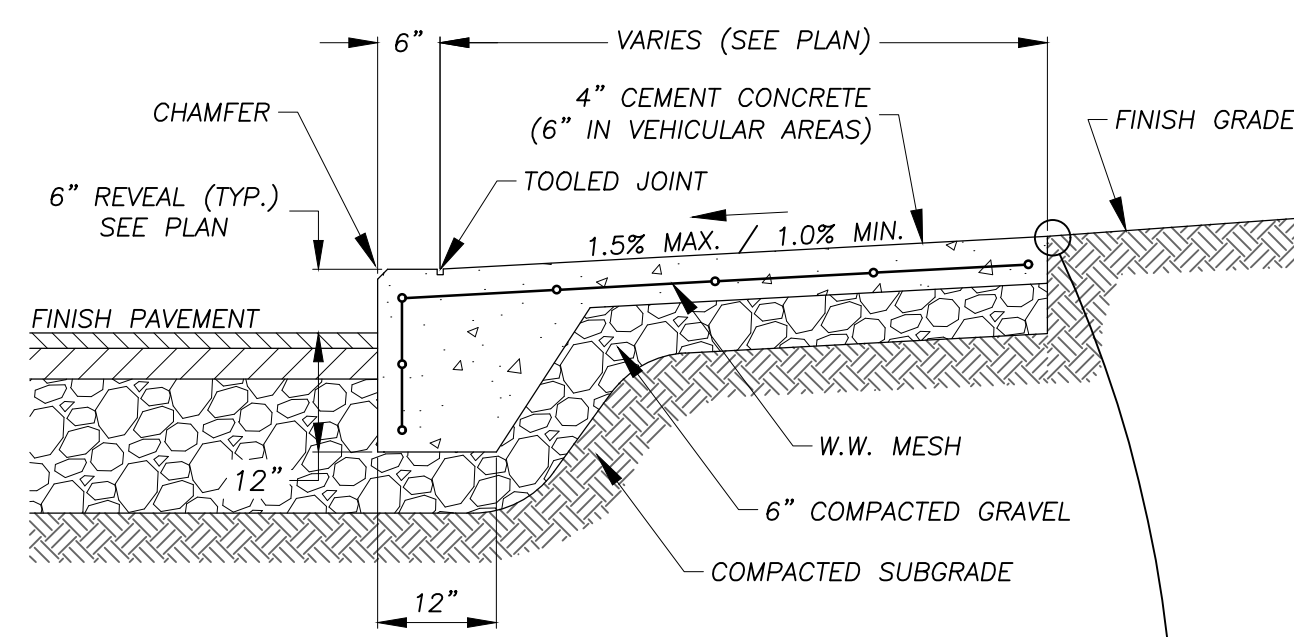
NOTES
 1. ALL DIMENSIONS TO CENTER OF 4" PAVEMENT STRIPING.
 2. ALL STRIPING SHALL BE 4" SOLID WHITE PAVEMENT MARKING PAINT UNLESS OTHERWISE NOTED.
 3. CONTRACTOR TO ENSURE HANDICAP ACCESSIBLE PARKING SPACE SHALL HAVE A SLOPE OF 2% OR LESS IN ALL DIRECTIONS.
 4. SEE AAB 521 CMR 23.00 FOR REQUIRED NUMBER AND PROPORTION OF VAN ACCESSIBLE SPACES.

HANDICAP PARKING STALL
 NO SCALE



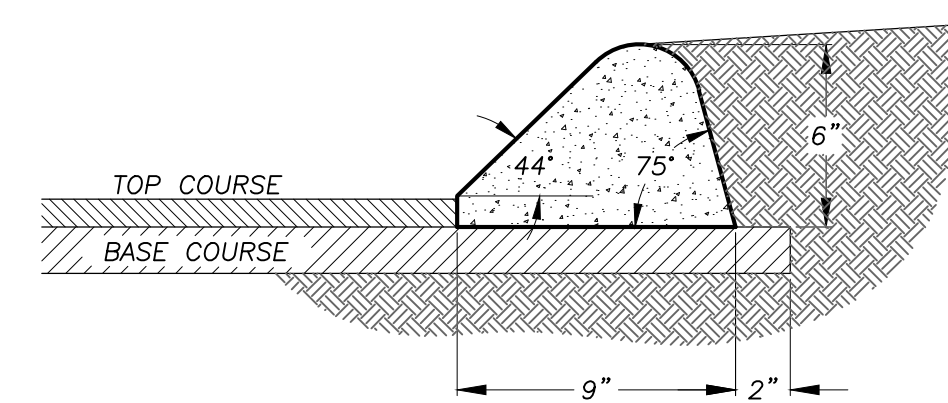
NOTES
 1. PROVIDE EXPANSION JOINTS AT MIN. 30 FT. O.C. WITH PRE-MOLDED JOINT FILLER.
 2. PROVIDE CONTROL JOINTS AT 6' O.C.
 3. PROVIDE BROOM FINISH IN DIRECTION PERPENDICULAR TO CURB.
 4. CEMENT CONCRETE SHALL BE 4,000 PSI-TYPE II.

REINFORCED CONCRETE SIDEWALK SECTION
 NO SCALE

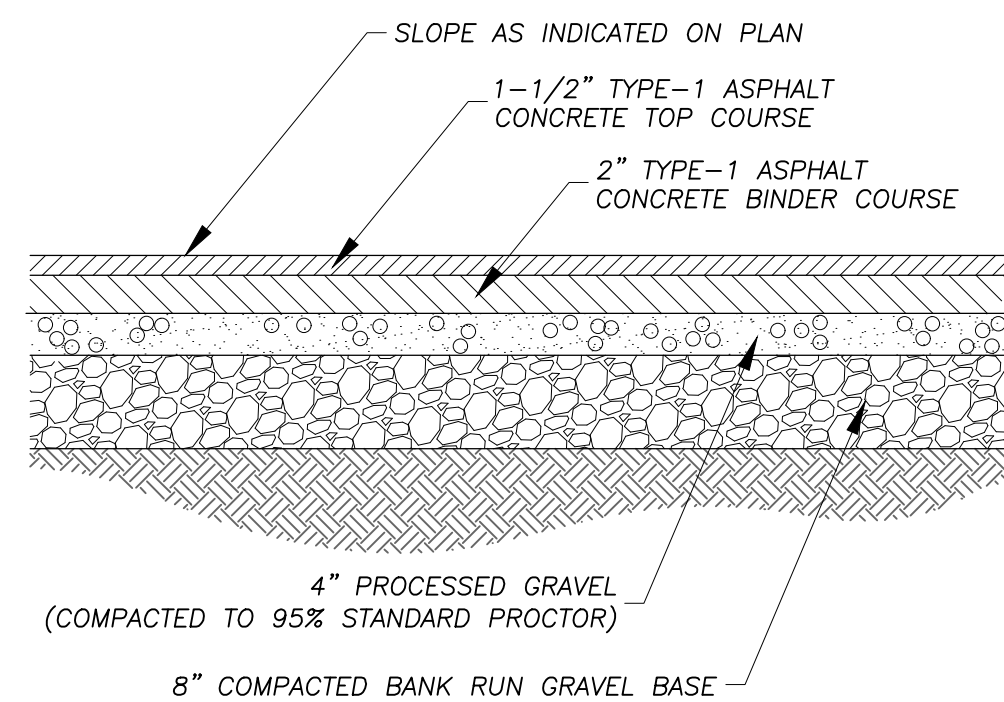


NOTES
 1. PROVIDE EXPANSION JOINTS AT MINIMUM 30 FEET O.C. WITH PRE-MOLDED JOINT FILLER.
 2. PROVIDE CONTROL JOINTS AT 6 FEET O.C.
 3. PROVIDE BROOM FINISH IN DIRECTION PERPENDICULAR TO CURB.
 4. CEMENT CONCRETE SHALL BE 4,000 PSI, TYPE II.

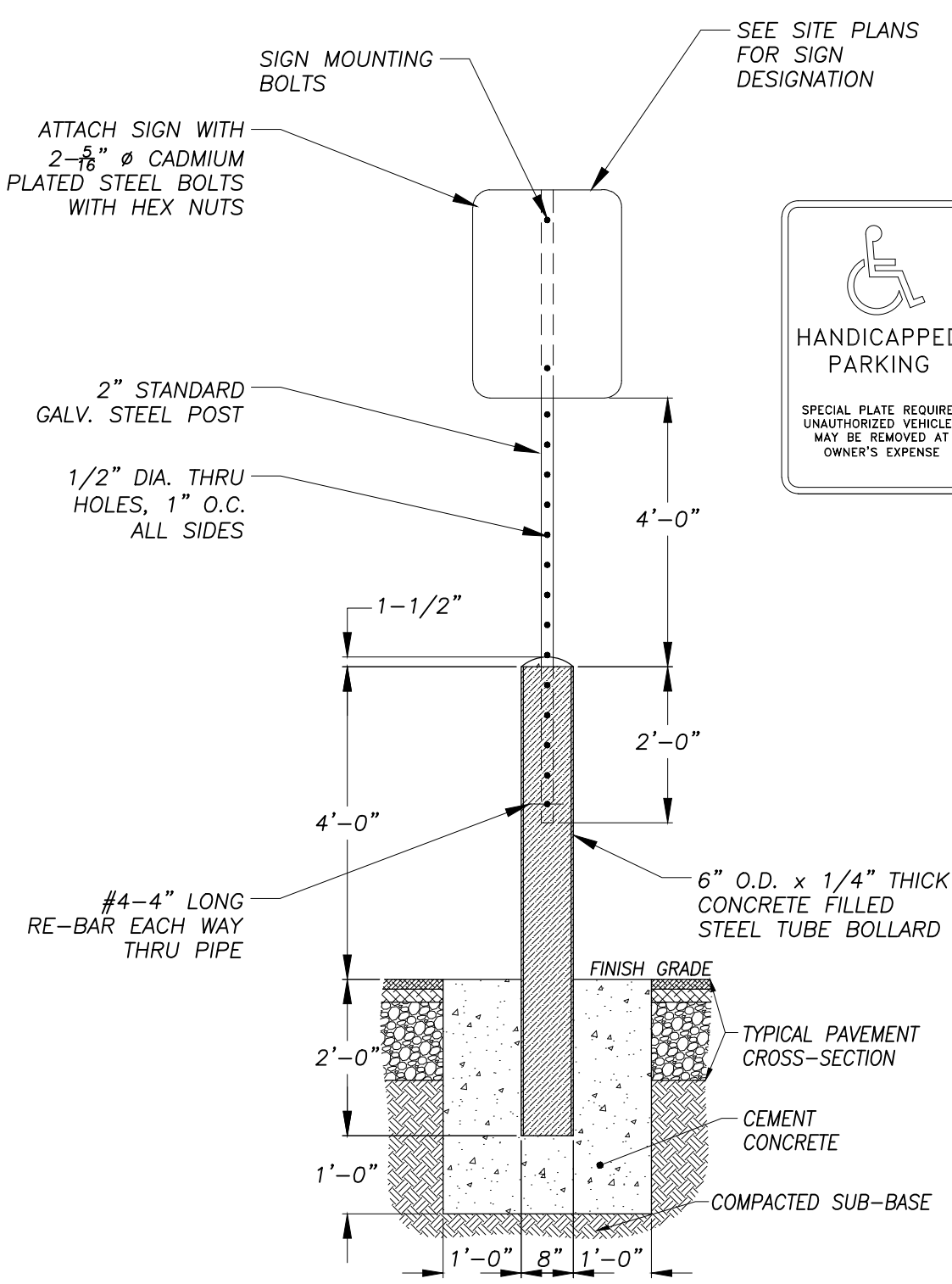
MONOLITHIC CONCRETE CURB & SIDEWALK
 NO SCALE



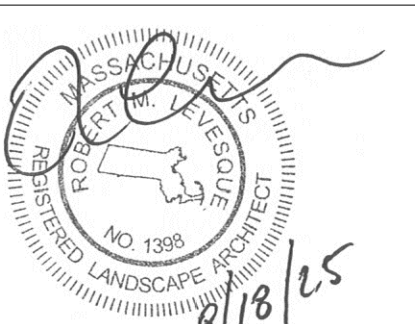
BITUMINOUS CONCRETE BERM (TYPE-2)
 NO SCALE



BITUMINOUS CONCRETE PAVING DETAIL
 NO SCALE



STEEL BOLLARD WITH SIGN DETAIL
 NO SCALE



PREPARED FOR:
 SAI SHYAM, LLC
 c/o Himanshu Patel
 506 Granby Road
 South Hadley, MA 01075

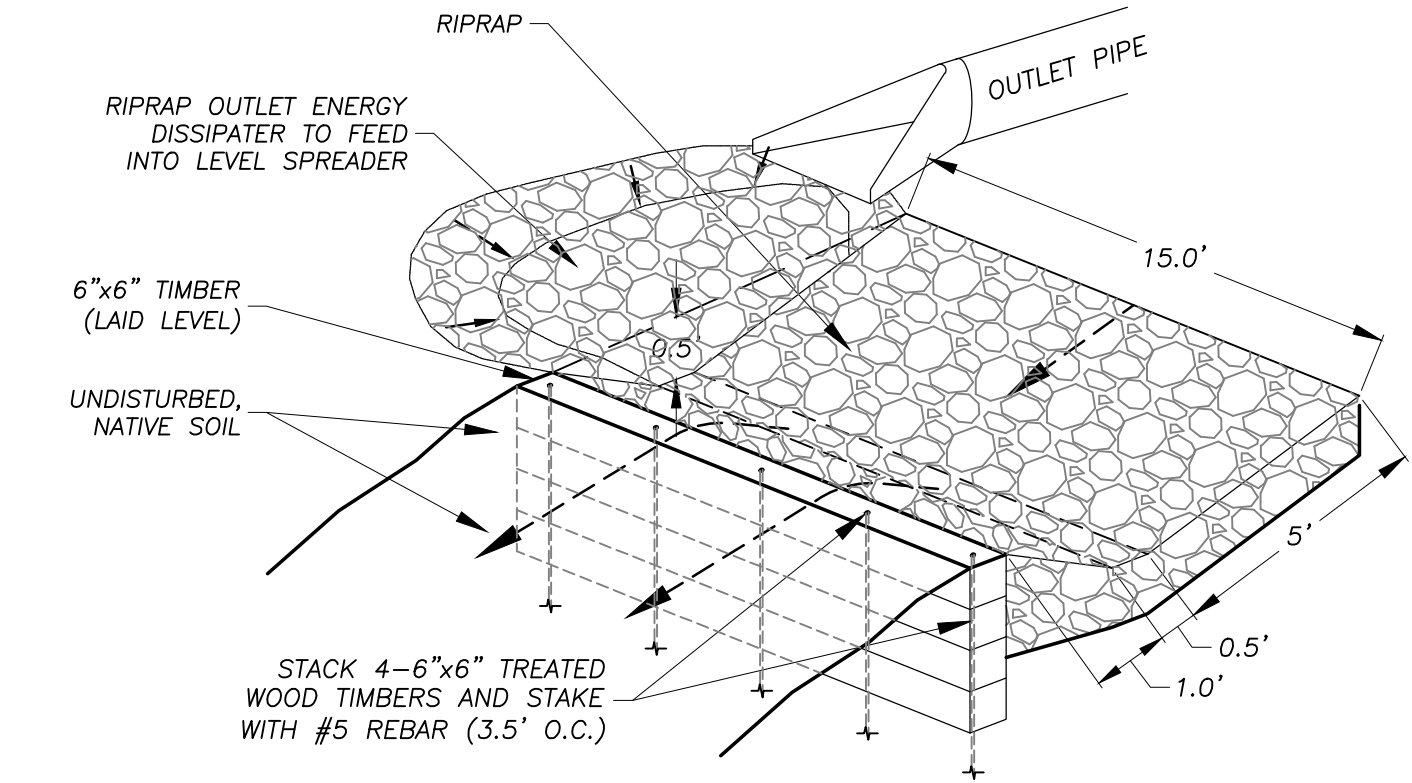
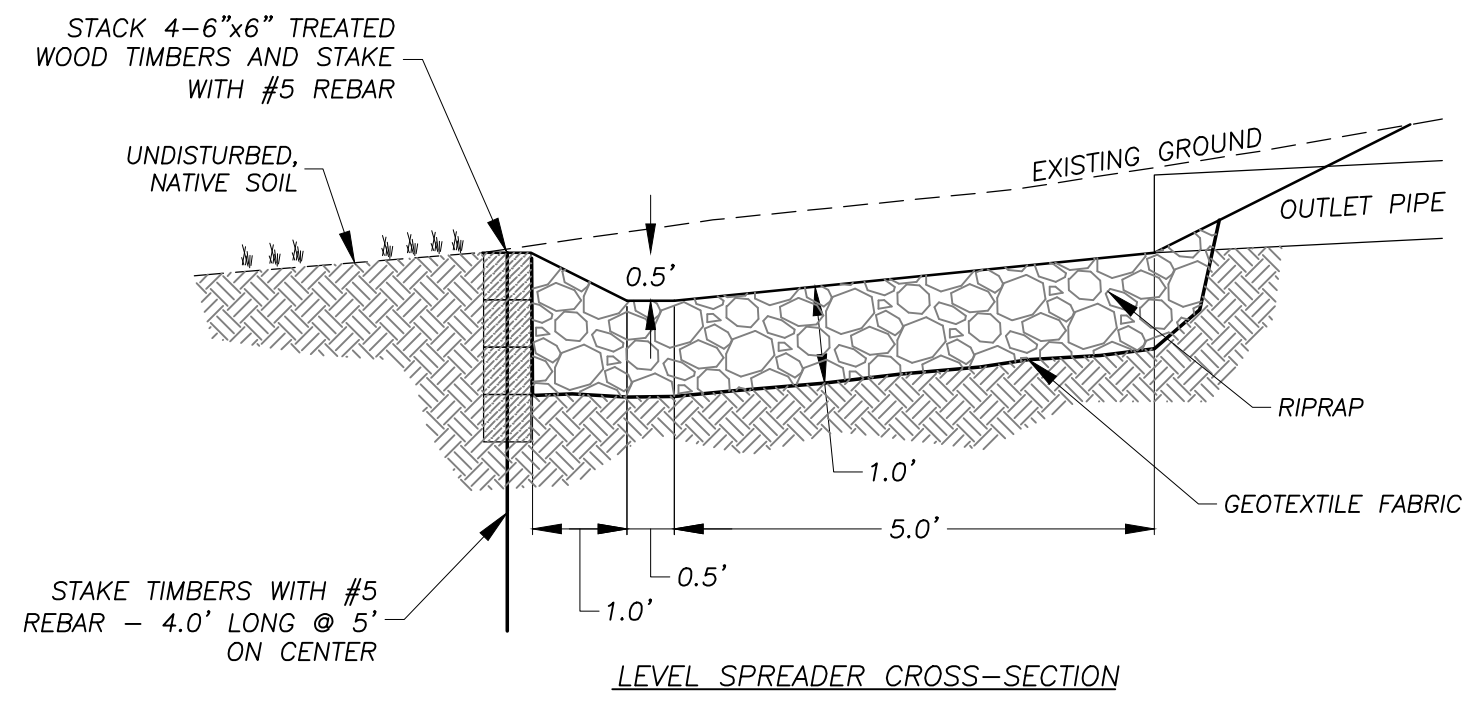
ISSUANCE DATE: August 18, 2025
REVISIONS:

NO.	DATE
-----	------

DRAFTED BY: M.B.
 UNAUTHORIZED ALTERATION OF THIS DOCUMENT IS A VIOLATION OF MASSACHUSETTS STATE LAW

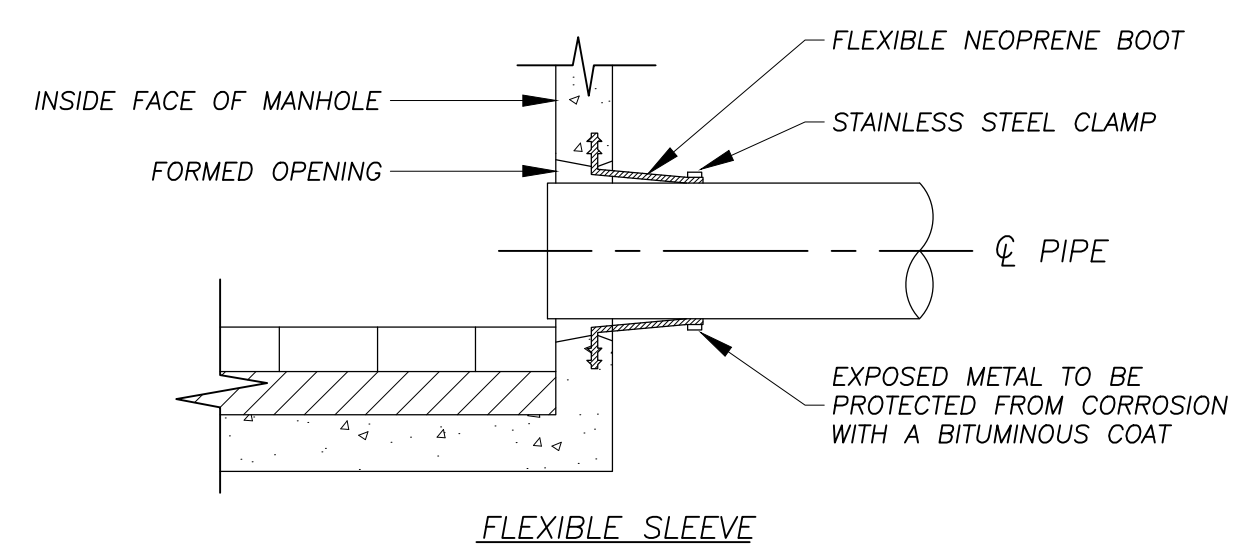
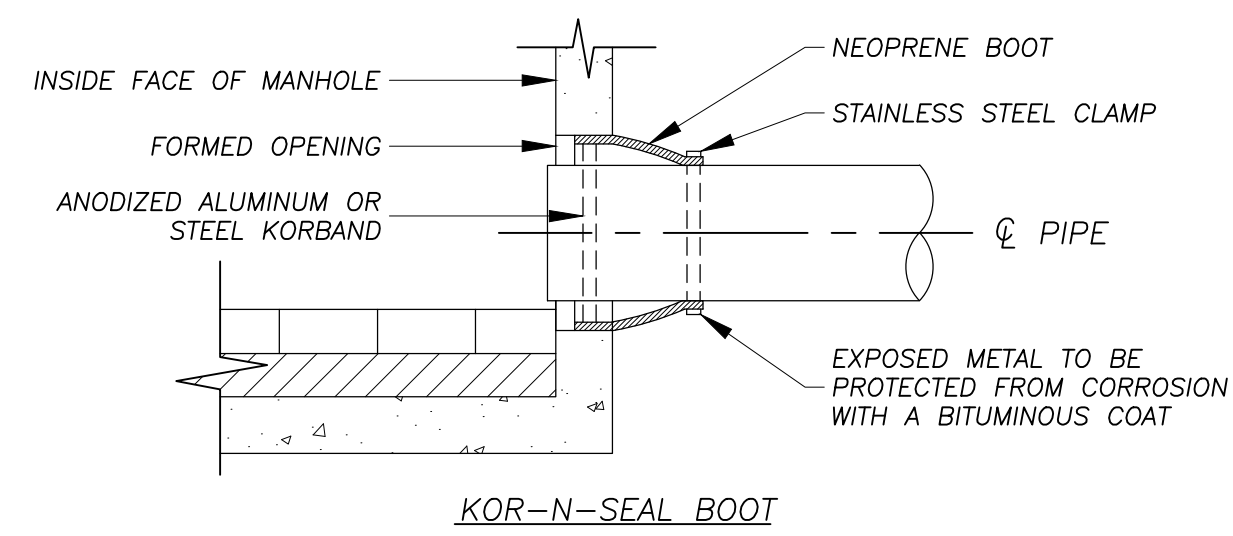
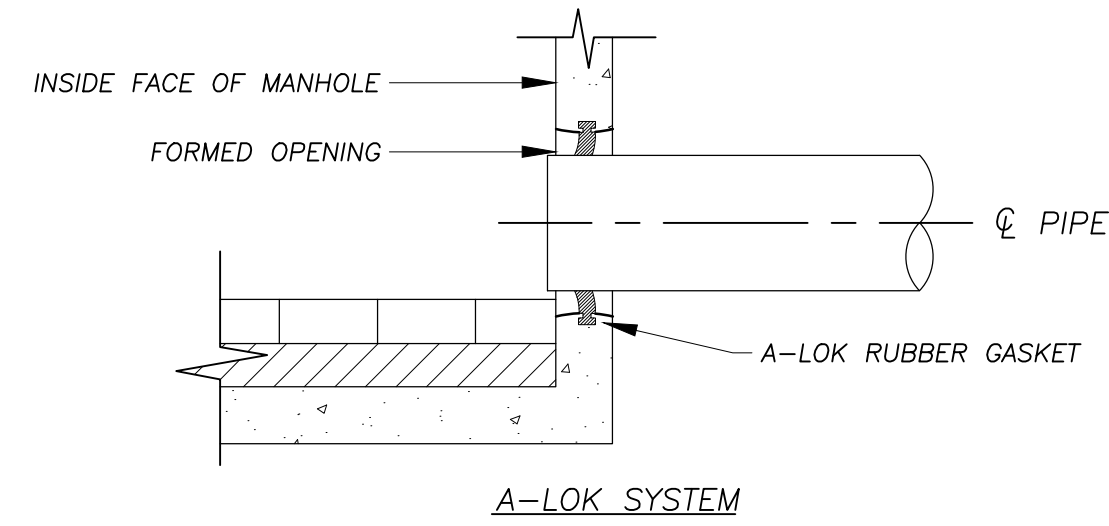
SCALE: As Noted
RLA PROJ. NUMBER: 240926

DRAWING#	REV.
D-1	-

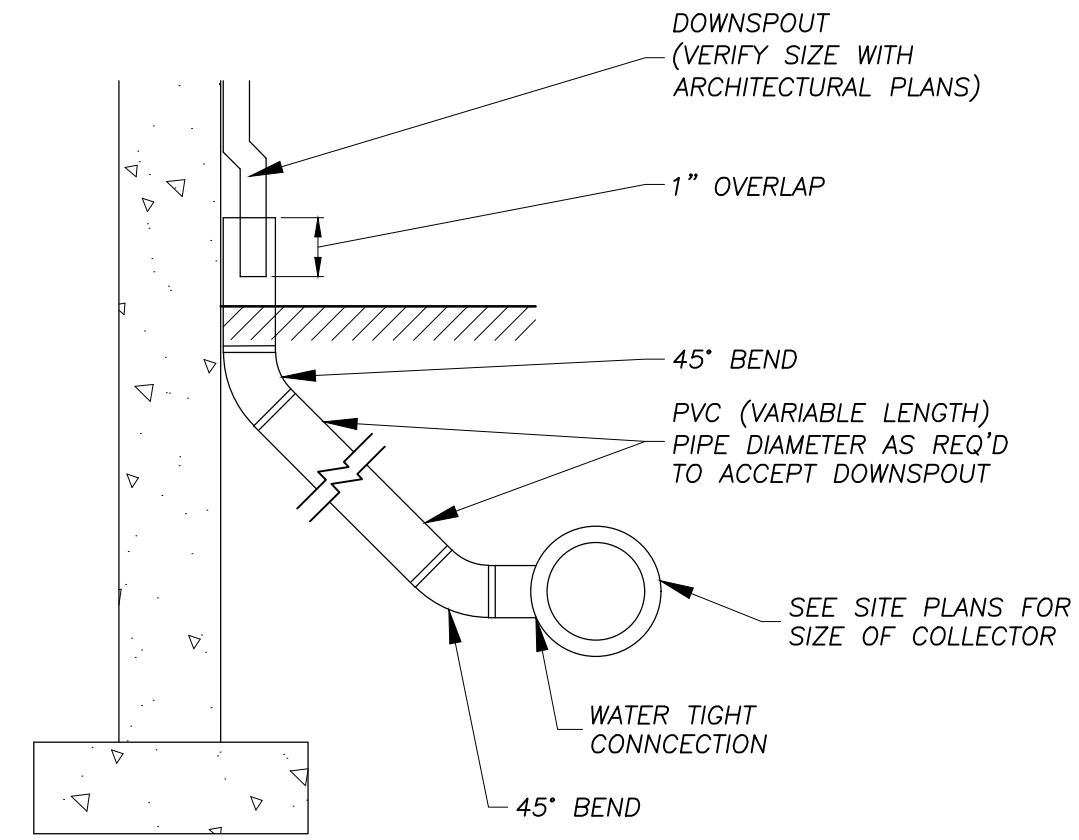


- NOTES**
- 1.) LEVEL SPREADER SHALL BE INSTALLED WITH A LEVEL INSTRUMENT. CONSTRUCT LEVEL UP TO 0% GRADE TO ENSURE UNIFORM SHEET FLOW. LEVEL SPREADER SHALL BE CONSTRUCTED ON UNDISTURBED SOIL.
 - 2.) CONSTRUCTION OF LEVEL SPREADER SHALL BE FROM UPHILL SIDE ONLY. LEVEL LIP AND AREA BELOW SPREADER SHALL BE AT EXISTING GRADES AND UNDISTURBED BY EARTHWORK OR EQUIPMENT.
 - 3.) CONSTRUCT SPREADER WITH LIP AT EXISTING GRADE AS SPECIFIED.
 - 4.) DOWNGRADIENT RECEIVING AREA MUST BE NATURALLY WELL VEGETATED.

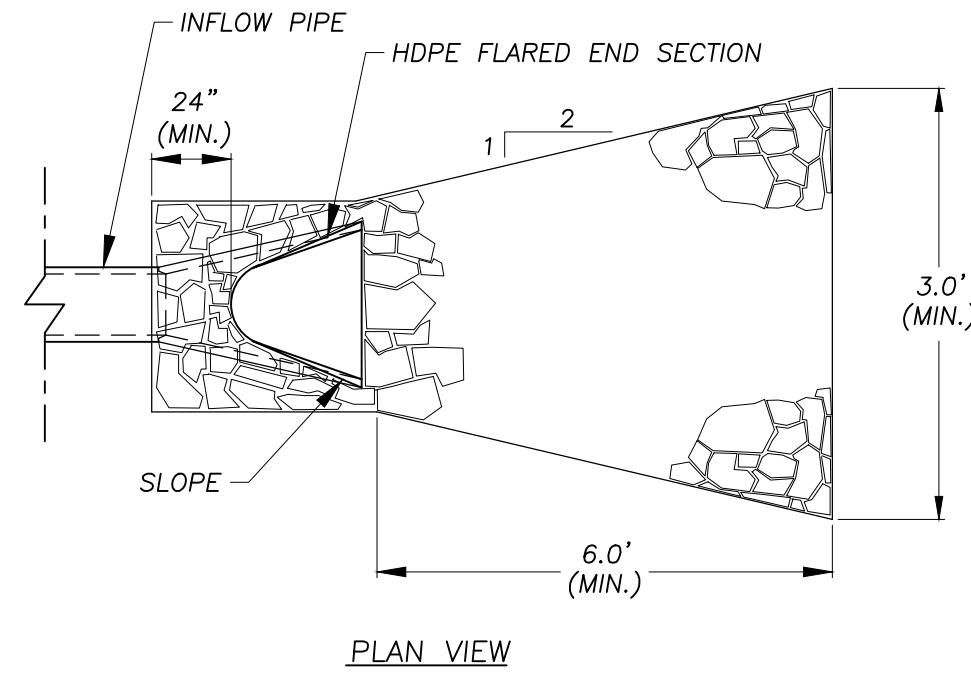
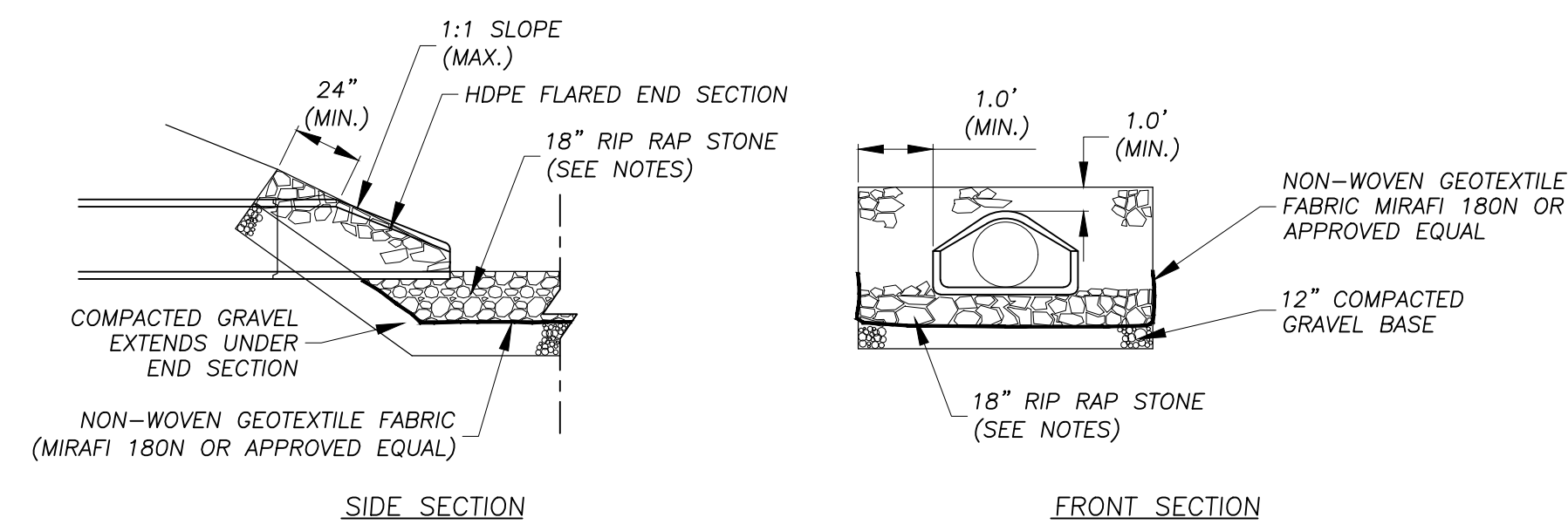
LEVEL SPREADER DETAIL
NO SCALE



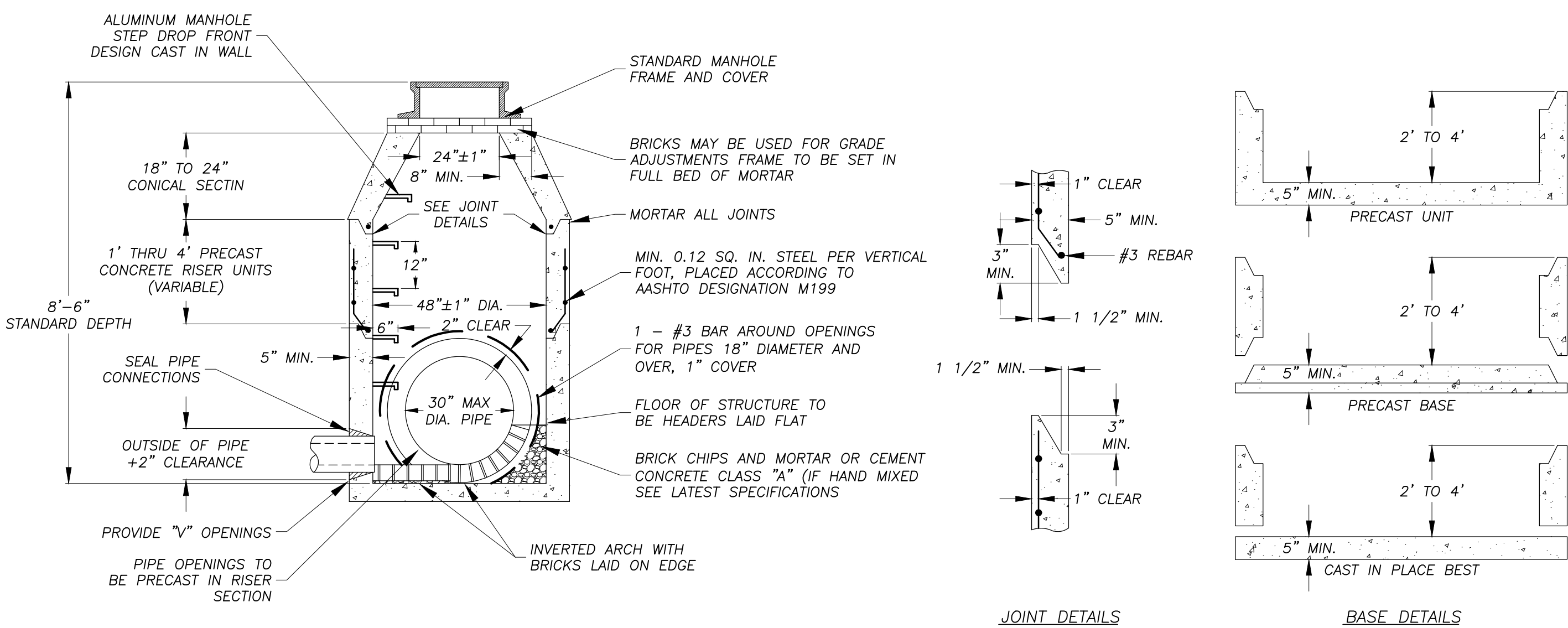
PIPE CONNECTION DETAILS
NO SCALE



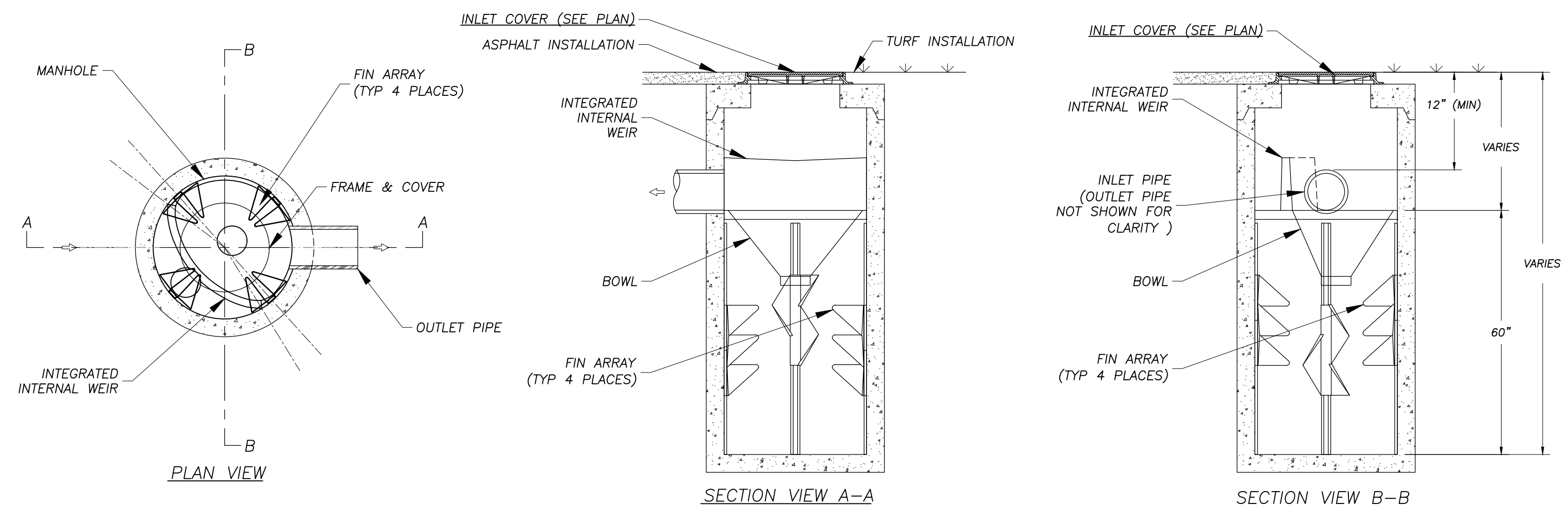
DOWNSPOUT COLLECTOR DETAIL
NO SCALE



STANDARD RIP RAP PIPE OUTLET
NO SCALE



PRECAST CONCRETE MANHOLE
NO SCALE



WATER QUALITY UNIT - BARRACUDA MAX S4 (PWQU-1 & PWQU-2)
NO SCALE

RLA
R LEVESQUE ASSOCIATES INC.
Landscape Architects
Civil Engineers - Land Surveyors
Environmental Consultants
ph: 413.568.0985 fax: 413.568.0986

40 School Street
Westfield, MA 01085
rland.com

DETAILS
506 Granby Road
South Hadley, MA
Map 32 Parcel 52

PREPARED FOR:
SAI SHYAM, LLC
c/o Himanshu Patel
506 Granby Road
South Hadley, MA 01075

ISSUANCE DATE: August 18, 2025

REVISIONS:	DATE:

DRAFTED BY: M.B.

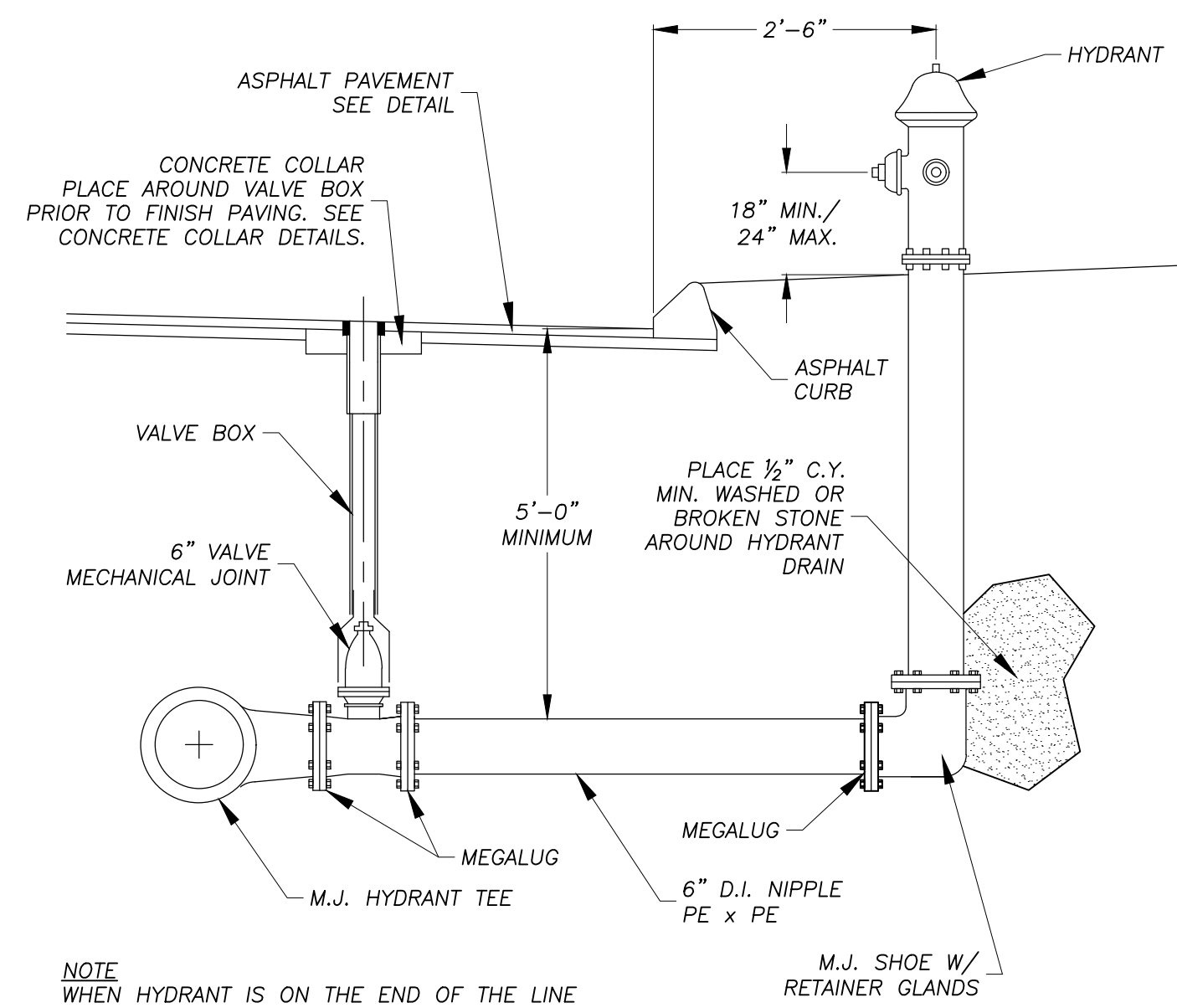
UNAUTHORIZED ALTERATION OF THIS DOCUMENT IS A VIOLATION OF MASSACHUSETTS STATE LAW

SCALE: As Noted

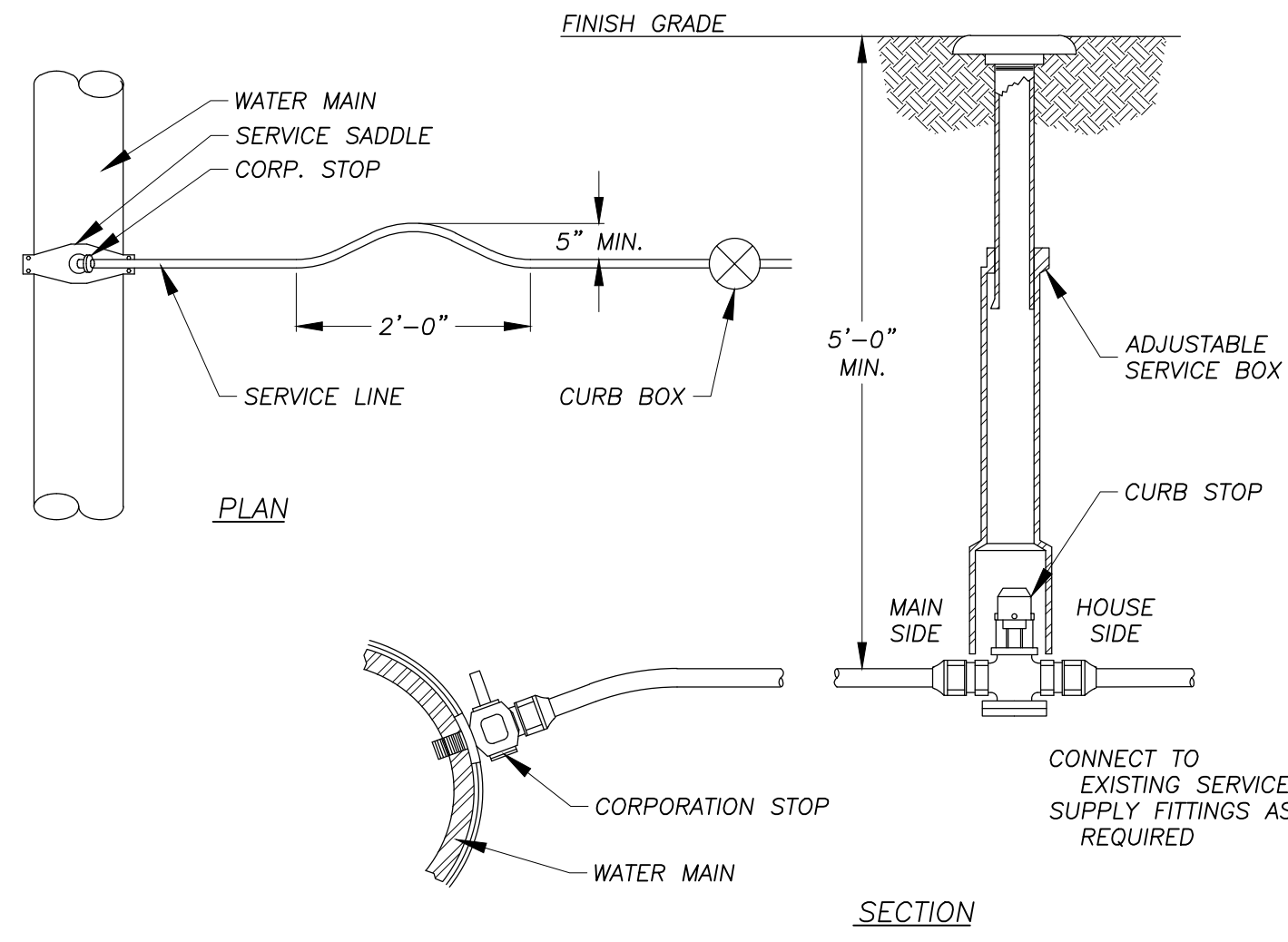
RLA PROJ. NUMBER: 240926

DRAWING#	REV.
D-2	-

S:\Projects\2024\240926 - Patel - 506 Granby Road, South Hadley\05 Civil 3D\240926 - SITE.dwg



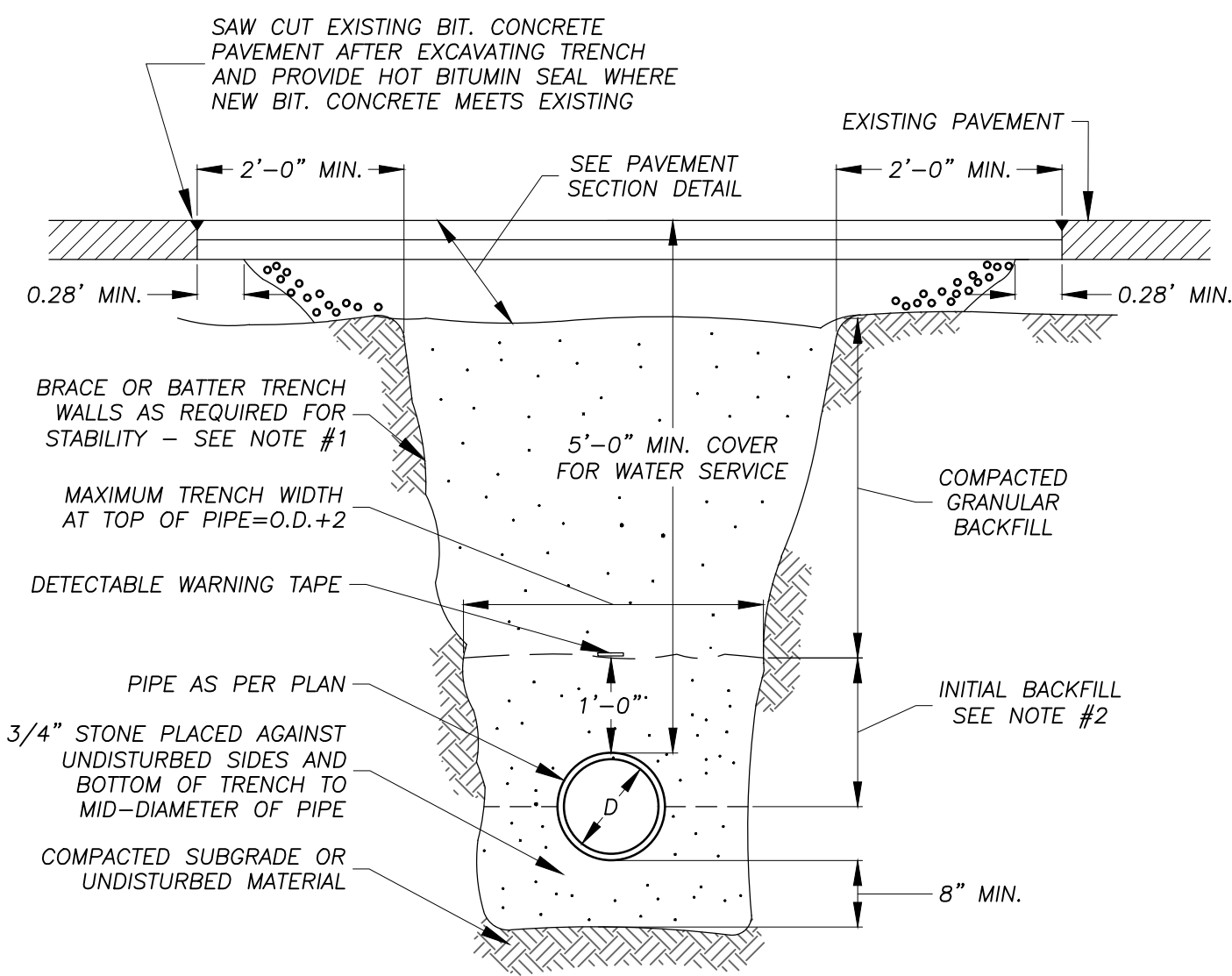
NOTE
WHEN HYDRANT IS ON THE END OF THE LINE
PROPER THRUST RESTRAINT IS REQUIRED AND IS TO
BE SPECIFIED BY THE DESIGN ENGINEER AND THE
PROPER RESTRAINT DISTANCE SHOWN ON THE PLANS



TYPICAL WATER SERVICE CONNECTION
NO SCALE

FIRE HYDRANT DETAIL

NO SCALE



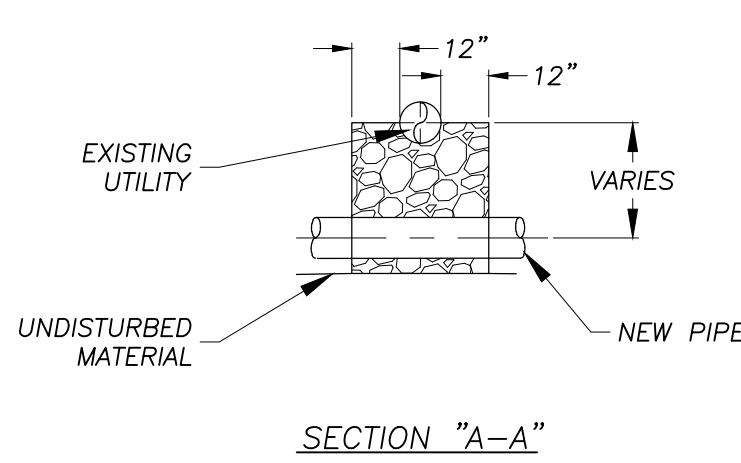
TRENCH NOTES

1. SHEETING, WHEN REQUIRED TO BE CUT OFF AT LEAST 5 FT. BELOW STREET AND A MINIMUM OF 1 FT. ABOVE TOP OF PIPE. WOOD SHEETING DRIVEN BELOW MID-DIAMETER OF THE PIPE SHALL BE LEFT IN PLACE. STEEL SHEETING DRIVEN BELOW MID-DIAMETER MAY BE WITHDRAWN IF APPROVED IN WRITING BY THE ENGINEER. FOR P.V.C. PIPE, ALL SHEETING DRIVEN BELOW MID-DIAMETER SHALL BE LEFT IN PLACE.
2. SELECTED COMMON FILL, HAND PLACED, FROM MID-DIAMETER OF PIPE TO 12" ABOVE, TOP OF PIPE.
3. TRENCHES LOCATED ON THE ROAD SHOULDER SHALL BE TREATED THE SAME AS STREET EXCEPT FOR PAVING.
4. PROVIDE AT LEAST ONE IMPERVIOUS DAM IN GRAVEL BEDDING BETWEEN EACH MANHOLE WHERE DIRECTED, OR EVERY 300 FT., WHICHEVER IS LESS.
5. COMPACT ALL BACKFILL MATERIAL WITH VIBRATORY PLATE EQUIPMENT (MINIMUM TWO PASSES) TO A MINIMUM DENSITY OF 95 PERCENT OF THE STANDARD PROCTOR DENSITY AS DETERMINED BY ASTM D698.
6. PLACE BACKFILL MATERIALS IN MAXIMUM ONE FOOT LIFTS.

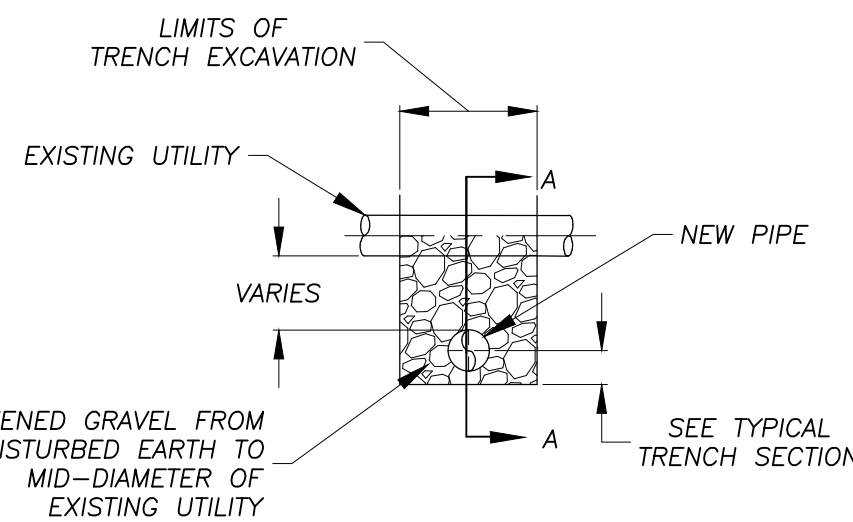
PIPE TRENCH DETAIL (STANDARD)

NO SCALE

NOTE:
SEE "TYPICAL PIPE TRENCH DETAIL"
NOTE 8 FOR ADDITIONAL REQUIREMENTS



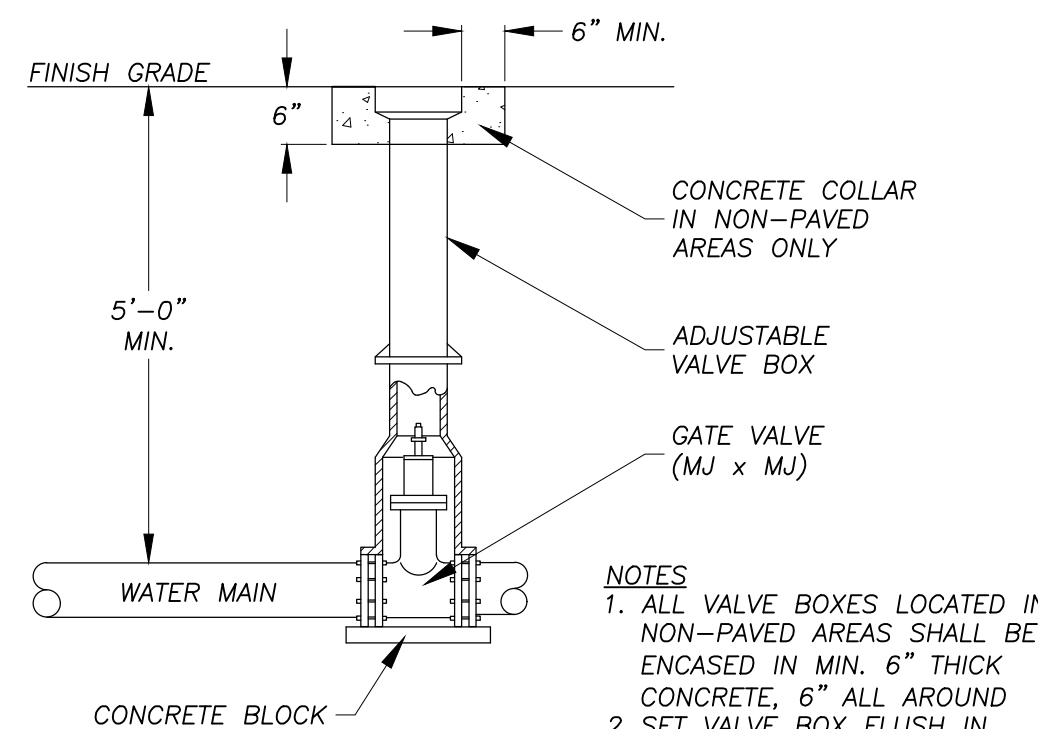
SECTION "A-A"



TYPICAL SECTION

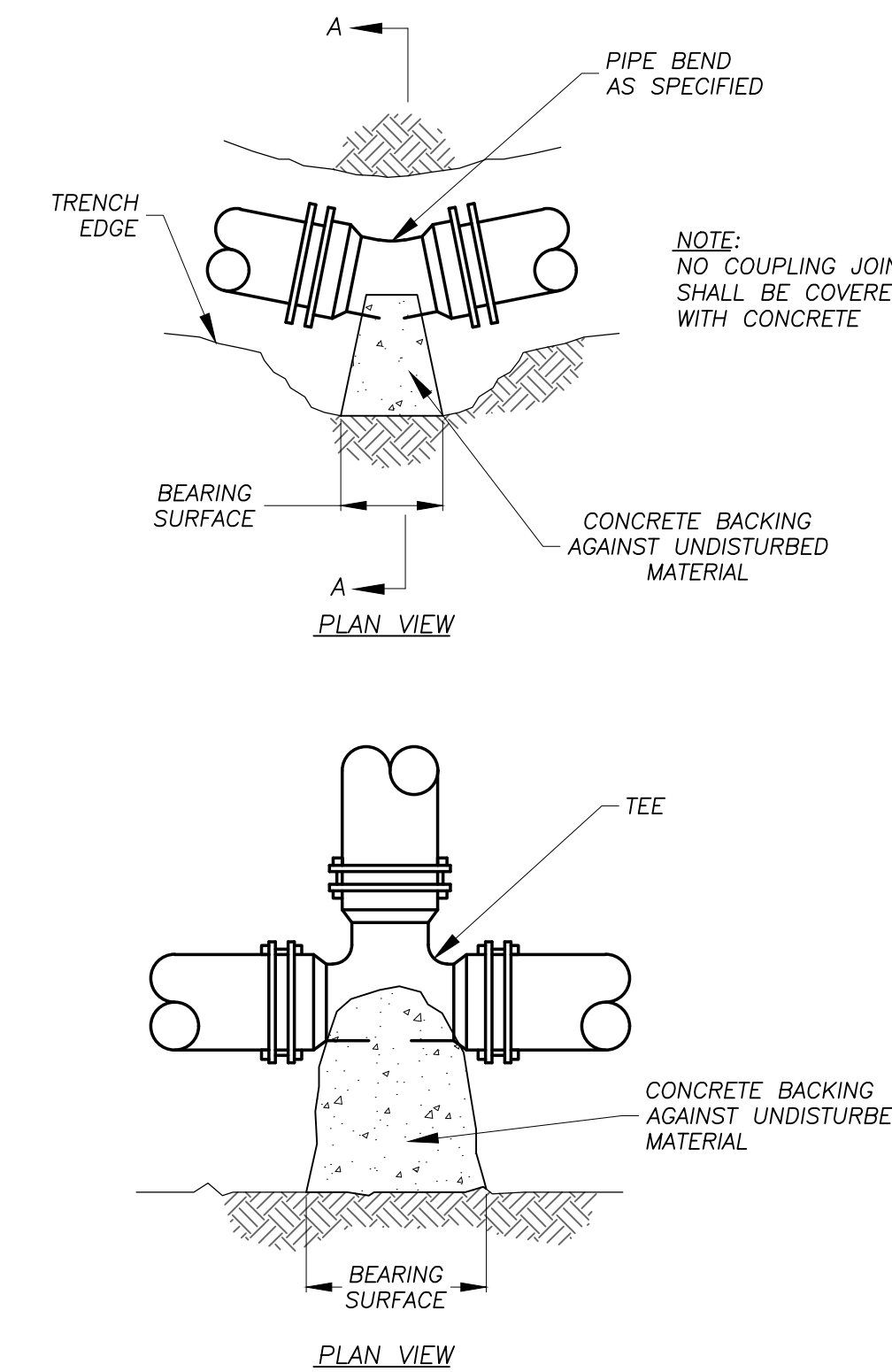
UTILITY CROSSING DETAIL

NO SCALE



TYPICAL BURIED VALVE

NO SCALE



WATER MAIN HORIZONTAL THRUST BLOCK DETAILS

NO SCALE

PIPE	LENGTH OF RESTRAINT REQD (FEET)							DESIGN FORCE ON RESTRAINT REQ'D (KIPS)	
	22 1/2°	33 3/4°	45°	56 1/4°	67 1/2°	78 3/4°	90° OR TEE	45°	90° OR TEE
6"	3	6	11	16	23	29	37	2.0	5.0
8"	4	8	15	22	31	41	50	3	9.0

1. THIS TABLE IS BASED ON A TEST PRESSURE OF 180 PSI (OPERATING PRESSURE + WATER HAMMER). FOR OTHER TEST PRESSURES, ALL VALUES TO BE INCREASED OR DECREASED PROPORTIONALLY
2. IN EACH DIRECTION FROM POINT OF DEFLECTION EXCEPT FOR TEE AT WHICH ONLY THE BRANCH IN THE DIRECTION OF THE TEE STEM.
3. IF TIE RODS ARE USED, USE 4 RODS MINIMUM AND ADD 1/8" TO BAR DIA AS CORROSION ALLOWANCE.

NOTES: THRUST BLOCKS

1. FIGURES BASED ON 300 PSI OPERATING PLUS SURGE PRESSURE
2. CONCRETE SHALL NOT BE DUMPED OVER THE FITTING. THE BLOCK MUST BE FORMED
3. RETAINING RODS OR RESTRAINED JOINT PIPE AS APPROVED BY THE ENGINEER MAY BE USED IN PLACE OF THRUST BLOCKS
4. PLACE 15 LB ROOF FELT BETWEEN PIPE AND CONCRETE
5. CONCRETE SHALL NOT COVER PIPE JOINTS
6. ALL BENDS, TEES, HYDRANTS AND DEAD ENDS SHALL BE BRACED WITH CONCRETE THRUST BLOCKS OR SUITABLE RESTRAINING DEVICES
7. BEARING AREA IS AREA OF CONCRETE IN CONTACT WITH WALL OF TRENCH = H x L
8. HEIGHT (H) AND LENGTH (L) AS REQUIRED TO OBTAIN AREA IN TABLE. LENGTH TO BE 2 TIMES HEIGHT
9. ESTIMATED SOIL BEARING LOAD IS 2000 LBS

PIPE SIZE (INCHES)	MINIMUM AREA OF BEARING FACE OF CONCRETE THRUST BLOCKS IN SQUARE FEET		
	SOIL BEARING		
	1,000 LBS./ SQ. FT.	2,000 LBS./ SQ. FT.	4,000 LBS./ SQ. FT.
DEAD END, TEE OR HYDRANT			
4 OR LESS	6	3	2
6	11	6	3
8	20	10	5
12	34	17	9
16	60	30	15
1/4 BEND - 90°			
4	8	4	2
6	16	8	4
8	28	14	7
12	56	28	14
16	100	50	25
1/8 BEND - 45°			
4	4	2	1
6	9	4	2
8	14	7	4
12	32	16	8
16	60	30	15
1/16 BEND - 22 1/2° OR LESS			
4	2	1	1
6	4	2	1
8	8	4	2
12	15	8	4
16	30	15	8

RLA
R LEVESQUE ASSOCIATES INC.
Landscape Architects
Civil Engineers - Land Surveyors
Environmental Consultants
ph: 413.568.0985 fax: 413.568.0986
40 School Street
Westfield, MA 01085
rlaland.com

DETAILS
506 Granby Road
South Hadley, MA
Map 32 Parcel 52

SEAL OF THE COMMONWEALTH OF MASSACHUSETTS
FILIPE J. CRAVATO
CIVIL ENGINEER
No. 48376
REGISTERED PROFESSIONAL ENGINEER
MASSACHUSETTS
12/18/25

PREPARED FOR:
SAI SHYAM, LLC
c/o Himanshu Patel
506 Granby Road
South Hadley, MA 01075

ISSUANCE DATE:	August 18, 2025
REVISIONS:	DATE:

DRAFTED BY: M.B.
UNAUTHORIZED ALTERATION OF THIS DOCUMENT IS A VIOLATION OF MASSACHUSETTS STATE LAW

SCALE: As Noted
RLA PROJ. NUMBER: 240926

DRAWING#	REV.
D-3	-

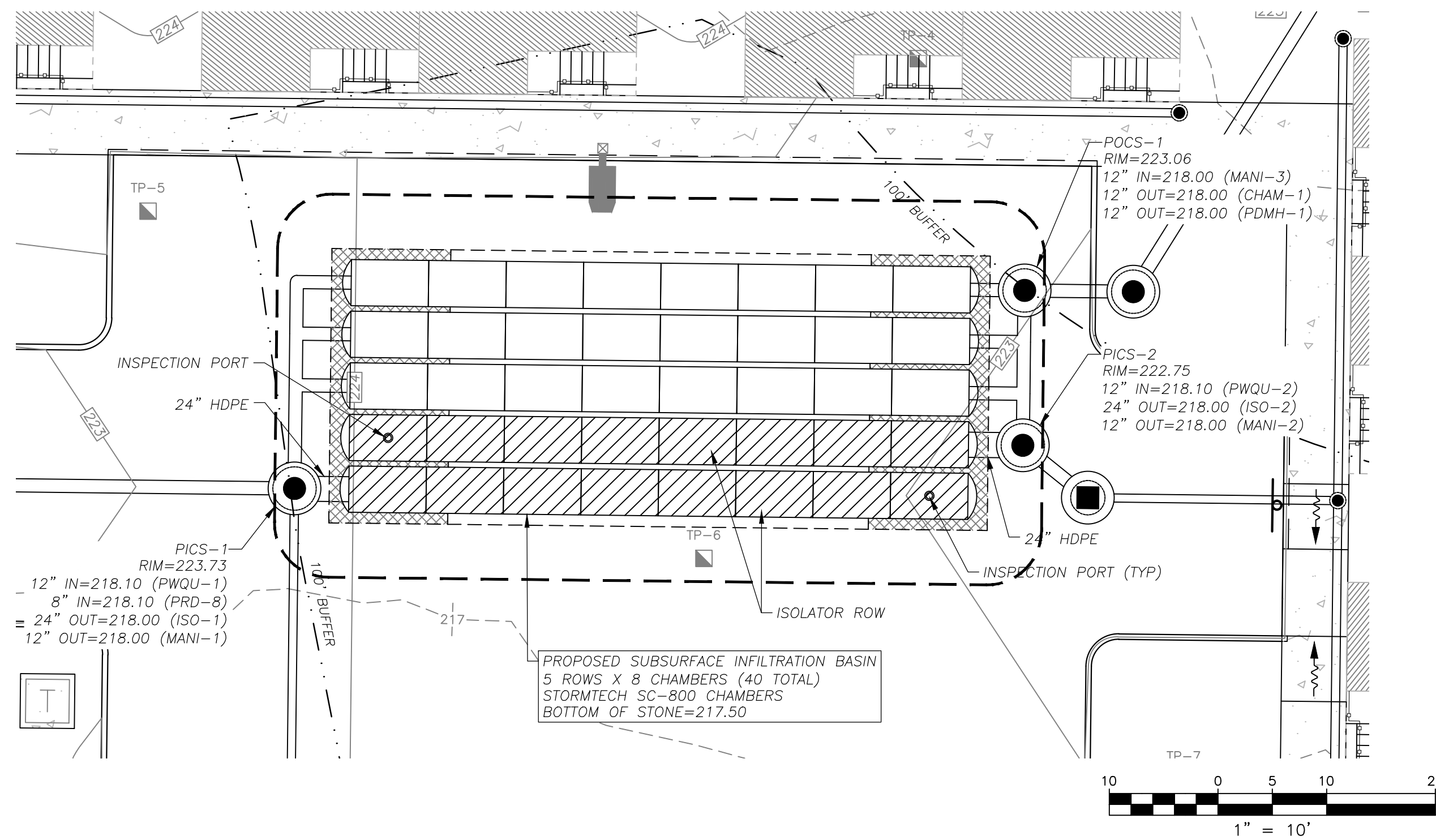
S:\Projects\2024\240926 - Patel - 506 Granby Road, South Hadley\05 Civil\3D\240926 - SITE.dwg

CHAMBER SPECIFICATIONS

- CHAMBERS SHALL BE STORMTECH SC-800 OR APPROVED EQUAL.
- CHAMBERS SHALL BE MANUFACTURED FROM VIRGIN POLYPROPYLENE OR POLYETHYLENE RESINS TESTED USING ASTM STANDARDS.
- CHAMBERS SHALL BE DESIGNED IN ACCORDANCE WITH ASTM F2787, "STANDARD PRACTICE FOR STRUCTURAL DESIGN OF THERMOPLASTIC CORRUGATED WALL STORMWATER COLLECTION CHAMBERS".
- CHAMBER ROWS SHALL PROVIDE CONTINUOUS, UNOBSTRUCTED INTERNAL SPACE WITH NO INTERNAL SUPPORT PANELS.
- THE STRUCTURAL DESIGN OF THE CHAMBERS, THE STRUCTURAL BACKFILL AND THE INSTALLATION REQUIREMENTS SHALL ENSURE THAT THE LOAD FACTORS SPECIFIED IN THE AASHTO LRFD BRIDGE DESIGN SPECIFICATIONS, SECTION 12.12 ARE MET FOR: 1) LONG-DURATION DEAD LOADS AND 2) SHORT-DURATION LIVE LOADS, BASED ON THE AASHTO DESIGN TRUCK WITH CONSIDERATION FOR IMPACT AND MULTIPLE VEHICLE PRESENCE.
- ONLY CHAMBERS THAT ARE APPROVED BY THE ENGINEER WILL BE ALLOWED. THE CONTRACTOR SHALL SUBMIT (3 SETS) OF THE FOLLOWING TO THE ENGINEER FOR APPROVAL BEFORE DELIVERING CHAMBERS TO THE PROJECT SITE:
 - A STRUCTURAL EVALUATION BY A REGISTERED STRUCTURAL ENGINEER THAT DEMONSTRATES THAT THE LOAD FACTORS SPECIFIED IN THE AASHTO LRFD BRIDGE DESIGN SPECIFICATIONS, SECTION 12.12 ARE MET. THE 50-YEAR CREEP MODULUS DATA SPECIFIED IN ASTM F2922 MUST BE USED AS A PART OF THE AASHTO STRUCTURAL EVALUATION TO VERIFY LONG-TERM PERFORMANCE.
- CHAMBERS SHALL BE PRODUCED AT AN ISO 9001 CERTIFIED MANUFACTURING FACILITY.
- ALL DESIGN SPECIFICATIONS FOR CHAMBERS SHALL BE IN ACCORDANCE WITH THE MANUFACTURER'S LATEST DESIGN MANUAL.
- THE INSTALLATION OF CHAMBERS SHALL BE IN ACCORDANCE WITH THE MANUFACTURER'S LATEST INSTALLATION INSTRUCTIONS.

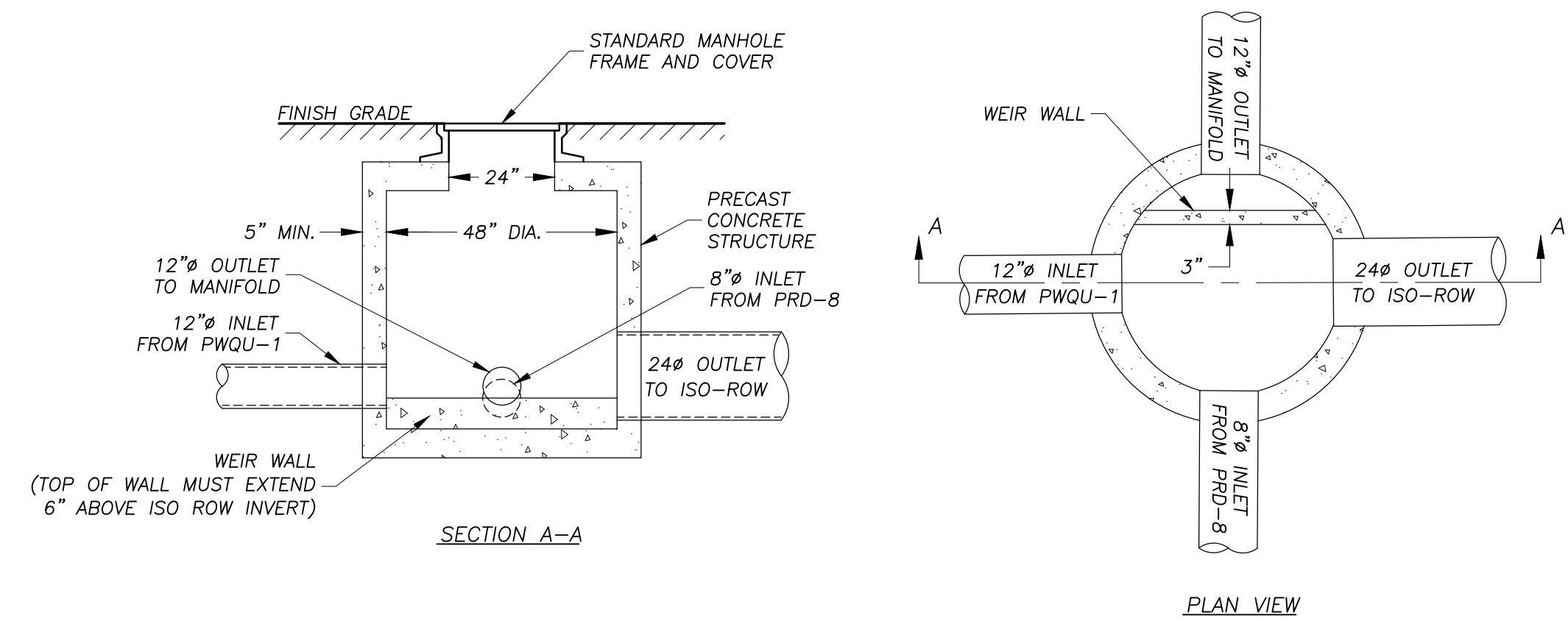
SUBSURFACE INFILTRATION BASIN

40 - STORMTECH SC-800 CHAMBERS
 10 - STORMTECH SC-800 END CAPS
 BOTTOM OF 6" STONE BASE = 217.50
 BOTTOM OF CHAMBERS = 218.00
 TOP OF 6" STONE COVER = 221.25
 SEPARATION FROM ESHGW = >3'



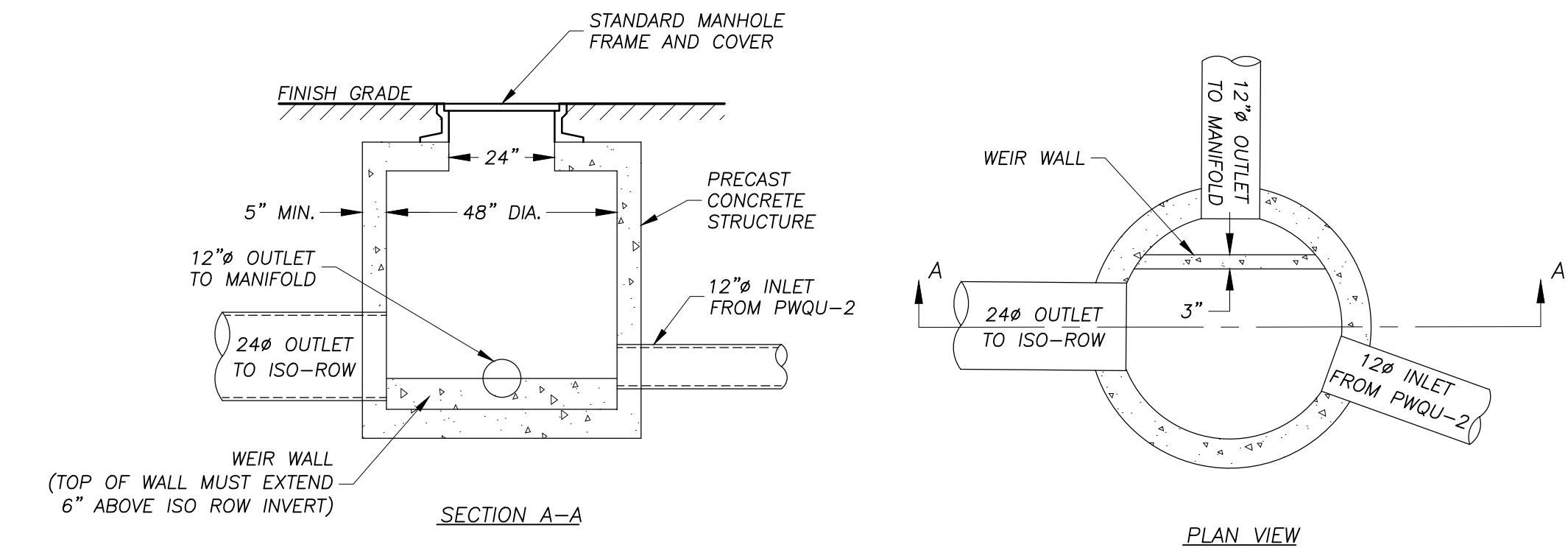
SUBSURFACE INFILTRATION BASIN DETAIL

1" = 10'



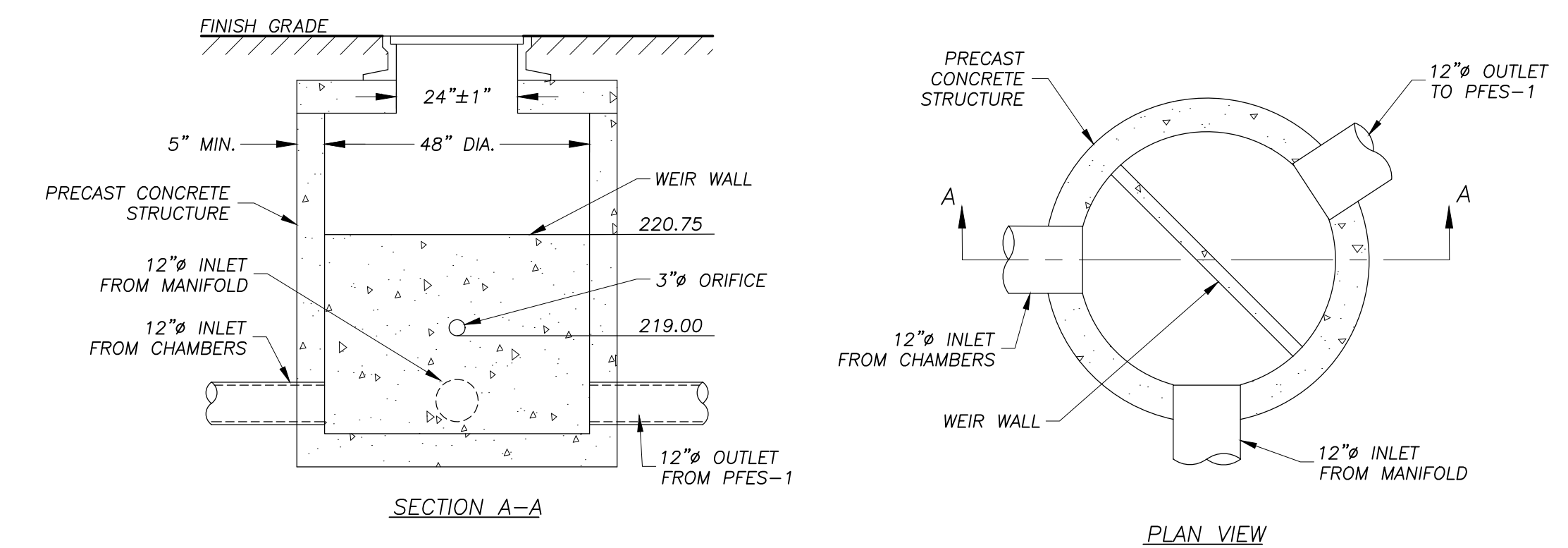
INLET CONTROL STRUCTURE (PICS-1)

NO SCALE



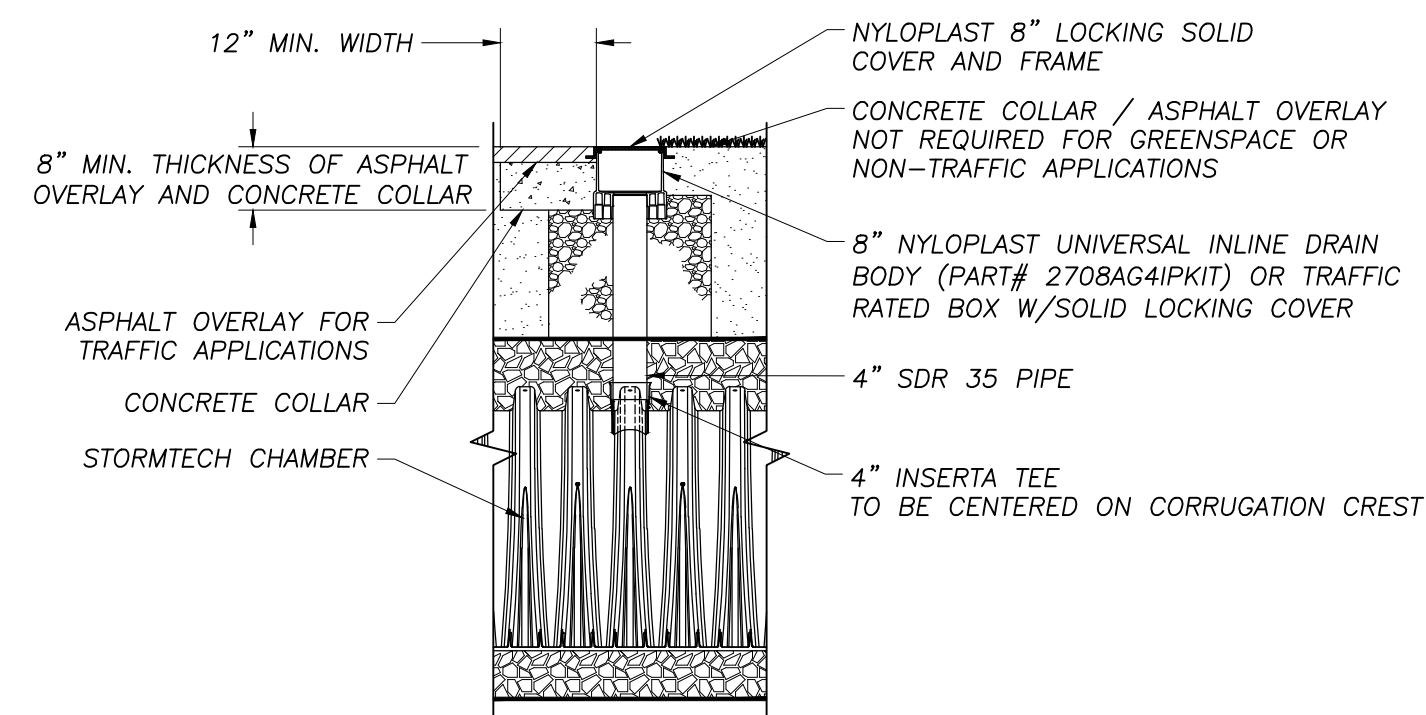
INLET CONTROL STRUCTURE (PICS-2)

NO SCALE



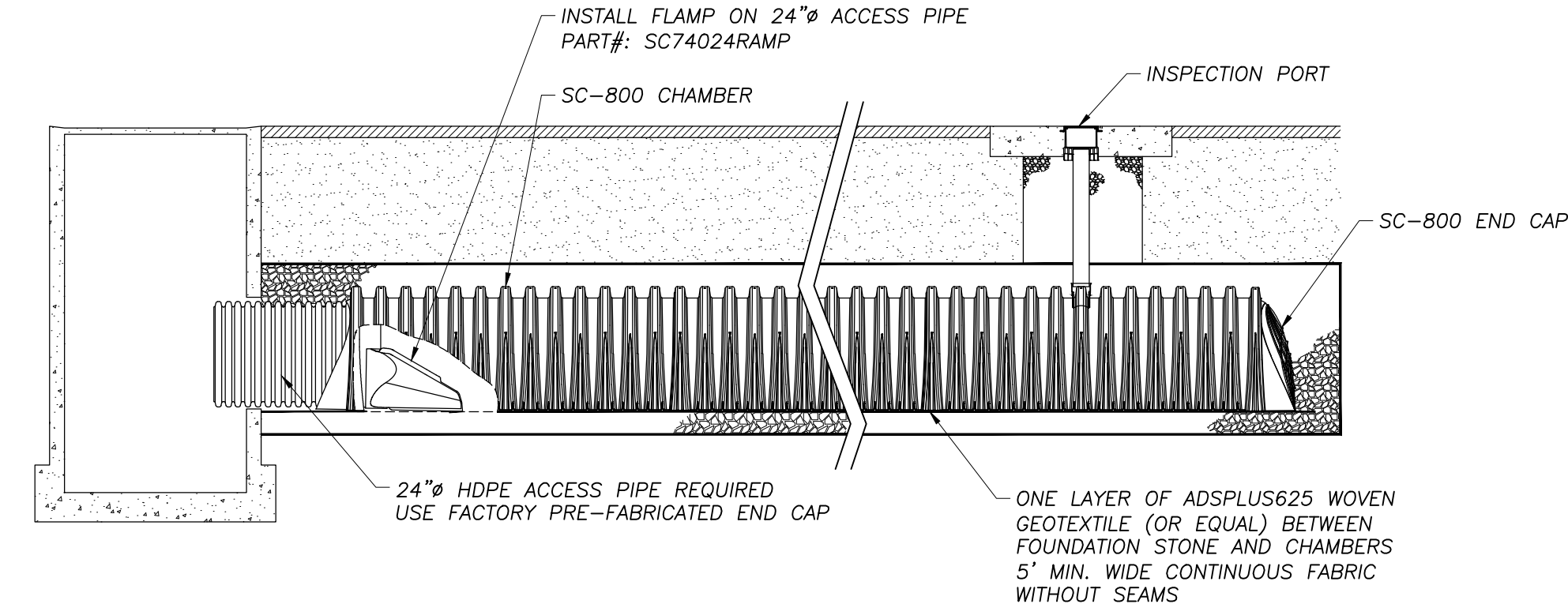
OUTLET CONTROL STRUCTURE (POCS-1)

NO SCALE



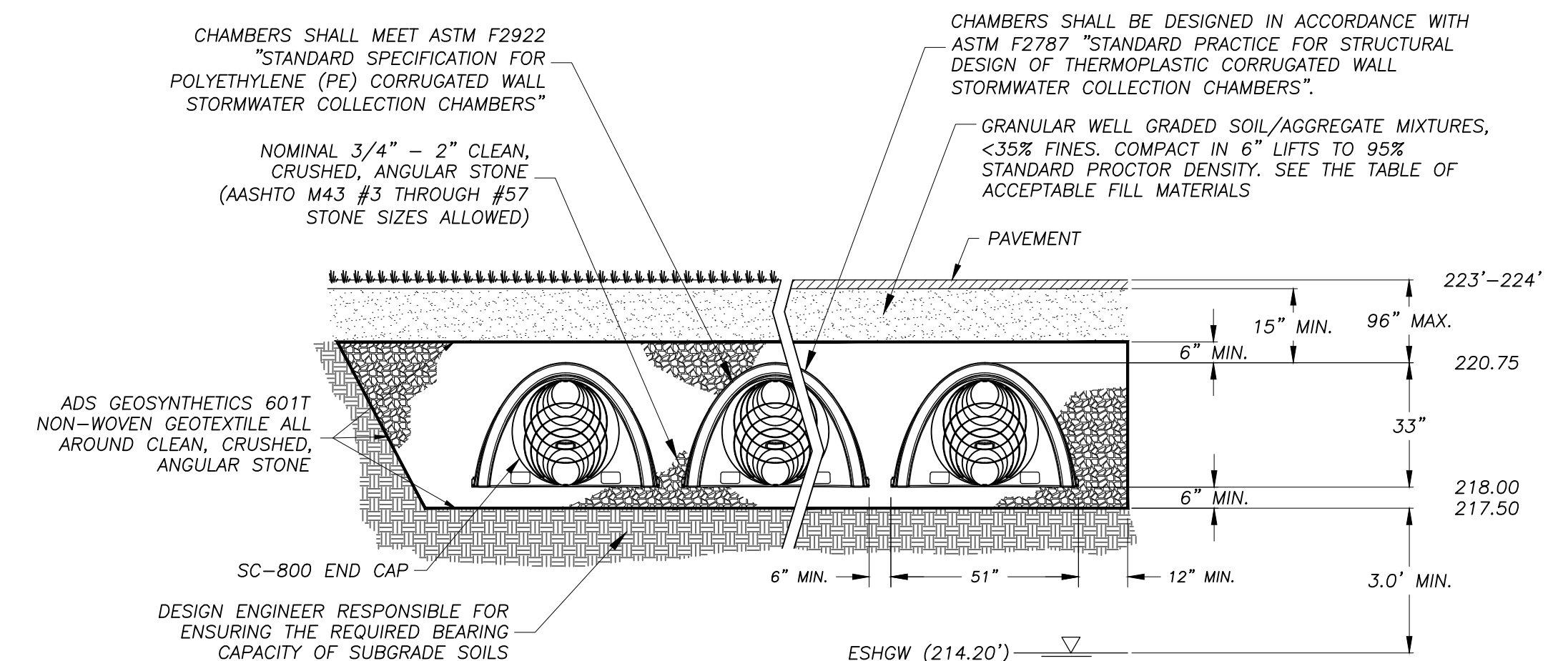
STORMTECH SC-800 INSPECTION PORT DETAIL

NO SCALE



STORMTECH SC-800 ISOLATOR ROW DETAIL

NO SCALE



STORMTECH SC-800 CROSS-SECTION

NO SCALE

RLA
R LEVESQUE ASSOCIATES INC.
 Landscape Architects
 Civil Engineers - Land Surveyors
 Environmental Consultants
 ph: 413.568.0985 fax: 413.568.0986

40 School Street
 Westfield, MA 01085
rlaland.com

DETAILS

**506 Granby Road
 South Hadley, MA
 Map 32 Parcel 52**

PREPARED FOR:
 SAI SHYAM, LLC
 c/o Himanshu Patel
 506 Granby Road
 South Hadley, MA 01075

ISSUANCE DATE: August 18, 2025

REVISIONS:	DATE:

DRAFTED BY: M.B.
 UNAUTHORIZED ALTERATION OF THIS DOCUMENT IS A VIOLATION OF MASSACHUSETTS STATE LAW

SCALE: As Noted
RLA PROJ. NUMBER: 240926

DRAWING#	REV.
D-4	-

S:\Projects\2024\240926 - Patel - 506 Granby Road, South Hadley\05 Civil\3D\240926 - SITE.dwg