

PROJECT DESCRIPTION:
665 CUSTOM METALS ADDITION
785 NEW LUDLOW ROAD
SOUTH HADLEY, MA 01075

APPLICANT:
GERRY GEOFFRION
785 NEW LUDLOW ROAD
SOUTH HADLEY, MA 01075

Furrow
 Engineering

199 Servistar Industrial Way - Suite 2
 Westfield, MA 01085
 Phone: (413) 562-4884

ORIGINAL SEAL IS IN BLUE
 INK COPIES ARE NOT VALID

DATE	BY	REVISION DESCRIPTION
10-13-15	DAB	FOR SITE PLAN REVIEW
10-14-15	DAB	FOR PER PLANNING AND CONSERVATION COMMENTS

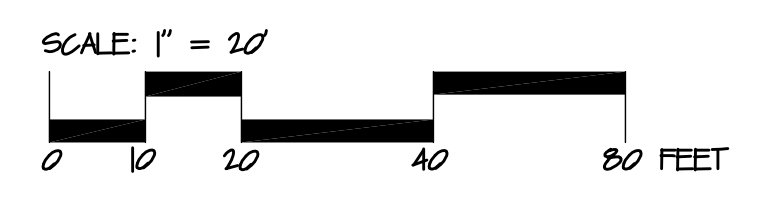
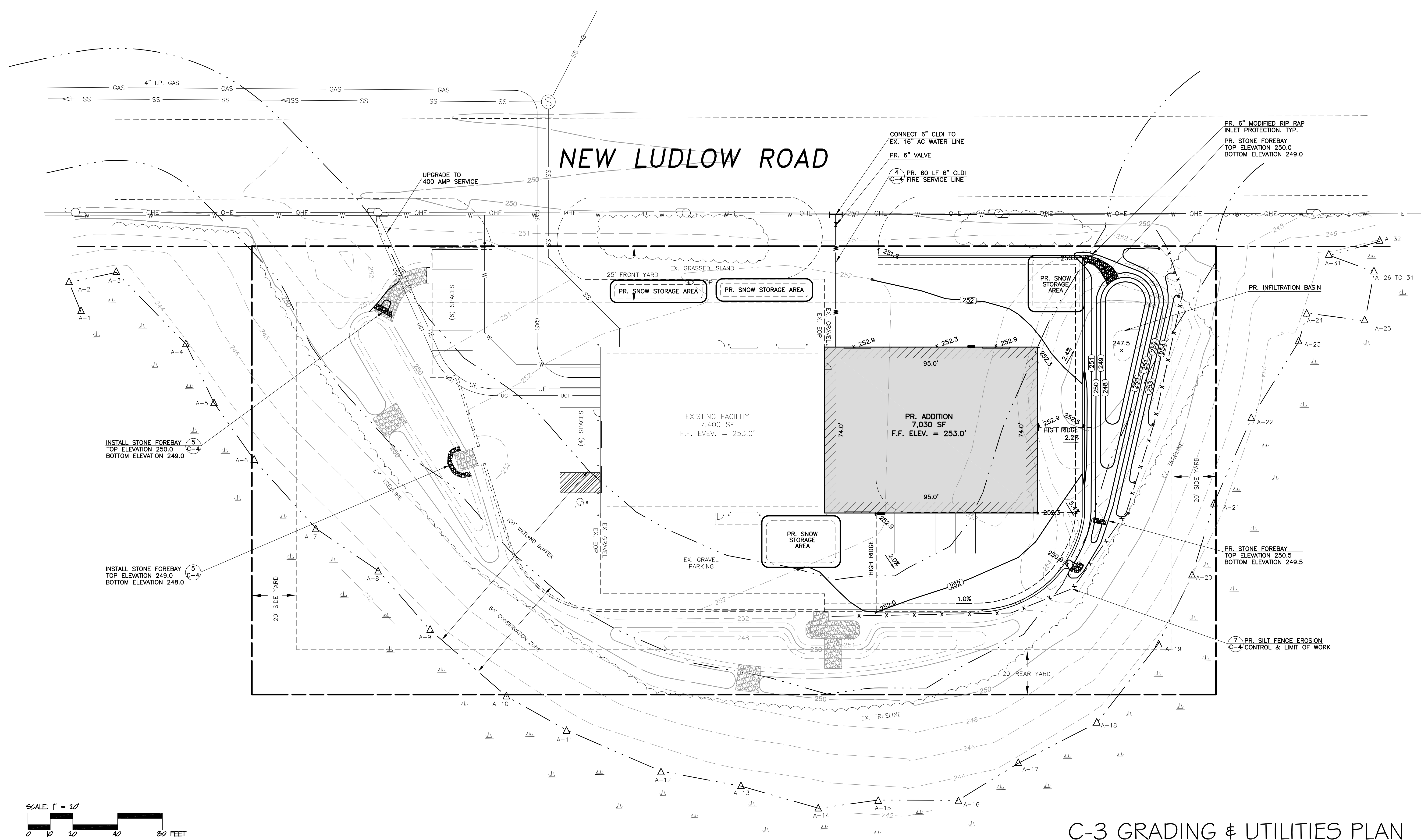
PROJECT NO:
0655-10-15

DRAWN BY:
EDN

DATE:
10-2-15

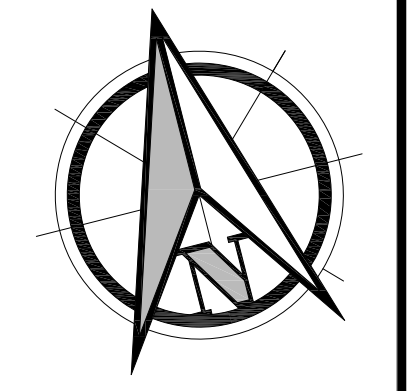
SCALE:
1"=20'

SHEET:
C-3



C-3 GRADING & UTILITIES PLAN

C-3



PROJECT DESCRIPTION:
665 CUSTOM METALS ADDITION
785 NEW LUDLOW ROAD
SOUTH HADLEY, MA 01075

APPLICANT:
GERRY GEOFFRION
785 NEW LUDLOW ROAD
SOUTH HADLEY, MA 01075

Furrow
 Engineering

199 Servistar Industrial Way - Suite 2
 Westfield, MA 01085
 Phone: (413) 562-4884

ORIGINAL SEAL IS IN BLUE
 INK COPIES ARE NOT VALID

REVISION DESCRIPTION	BY	DATE
FOR SITE PLAN REVIEW	PMB	10-13-15

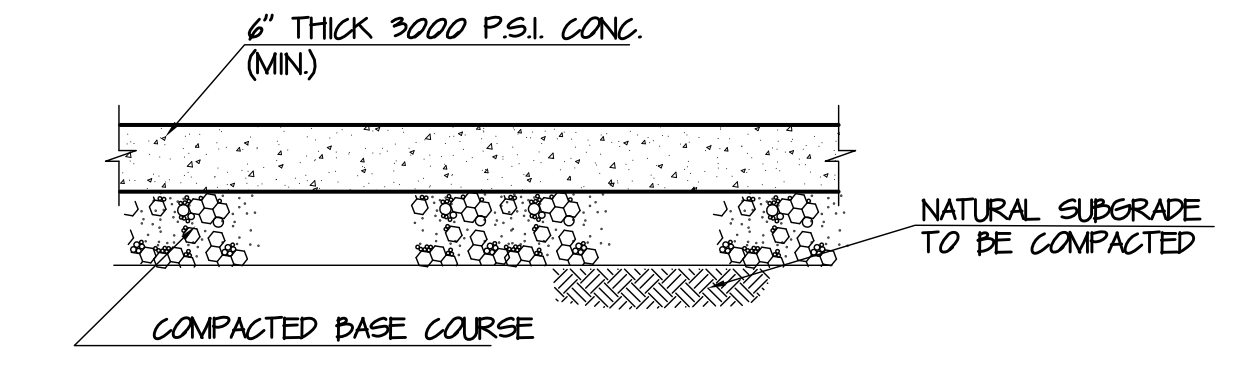
PROJECT NO:
0655-12-15

DRAWN BY:
EDN

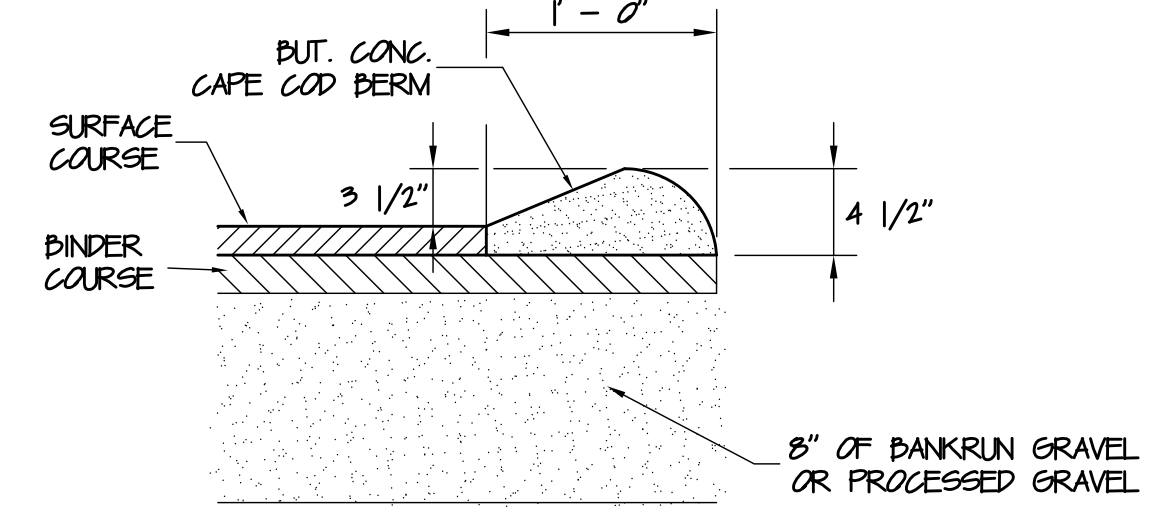
DATE:
12-2-15

SCALE:
NTS

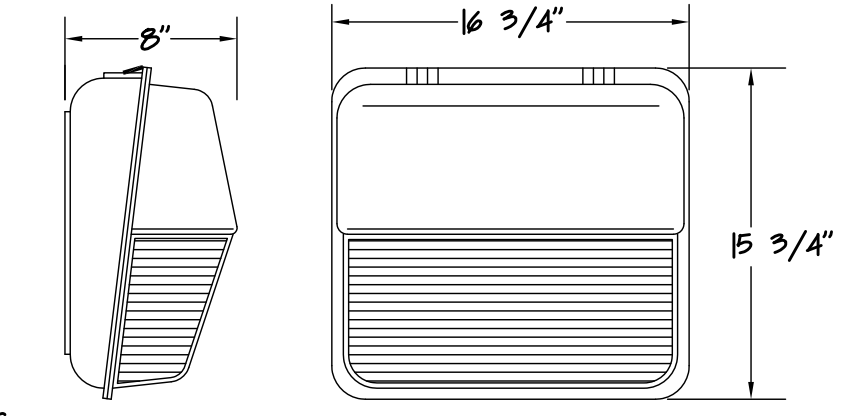
SHEET:
C-4



1 EXTERIOR CONCRETE TYP. CROSS-SECTION
 N.T.S.

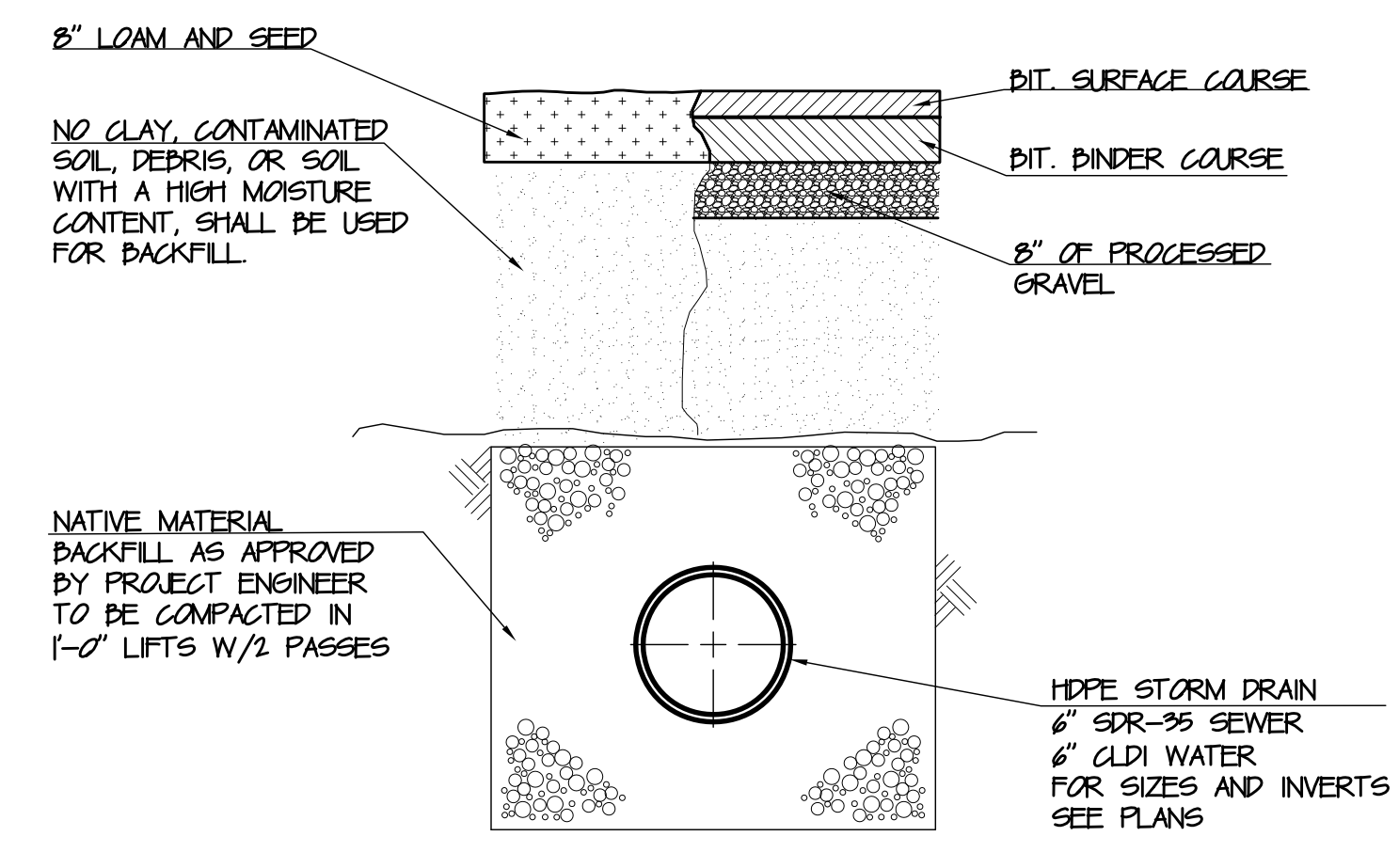


2 BITUMINOUS CONCRETE BERM DETAIL
 N.T.S.

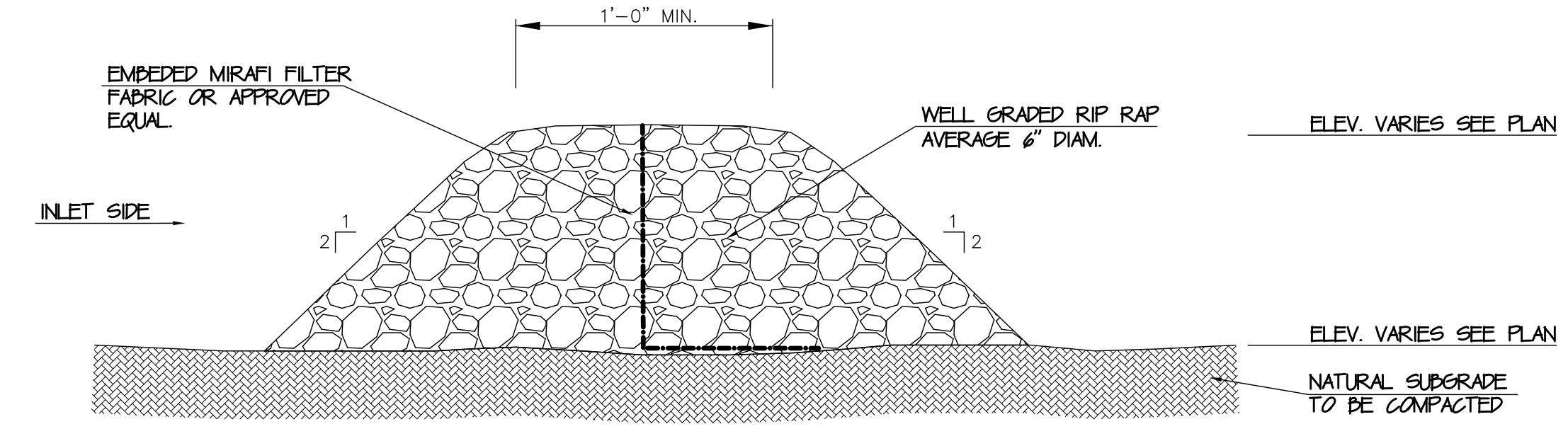


- NOTES:
- 1) WALL-MOUNTED AREA LIGHTER, GLASS REFRACTOR
 - 2) HIGH-PRESSURE SODIUM LIGHTING SYSTEM
 - 3) HOUSING CORROSION-RESISTANT DIECAST ALUMINUM HOUSING
 - 4) FINISH SHALL BE SELECTED BY GC, ELECTROSTATICALLY APPLIED AND OVEN CURED
 - 5) ELECTRIC COMPONENTS ARE MOUNTED IN HINGED FRONT COVER THAT INCLUDES PRIMARY AND SECONDARY ELECTRICAL CONNECTIONS
 - 6) IP54 RATED IN ACCORDANCE WITH IEC STANDARD 529
 - 7) GLAZED PORCELAIN, HORIZONTALLY ORIENTED SOCKET WITH COPPER ALLOY, NICKEL-PLATED SCREW SHELL AND CENTER CONTACT
 - 8) REFLECTOR IS SPECULAR ANODIZED ALUMINUM. REFRACTOR IS PRISMATIC BOROSILICATE GLASS. LENS ARE SEALED AND GASKETED TO INHIBIT THE ENTRANCE OF OUTSIDE CONTAMINANTS
 - 9) FIXTURE SHALL BE FULL CUTOFF DOWNCAST LIGHTING, AND MEET ALL TOWN/CITY REQUIREMENTS FOR LIGHT OUTPUT.

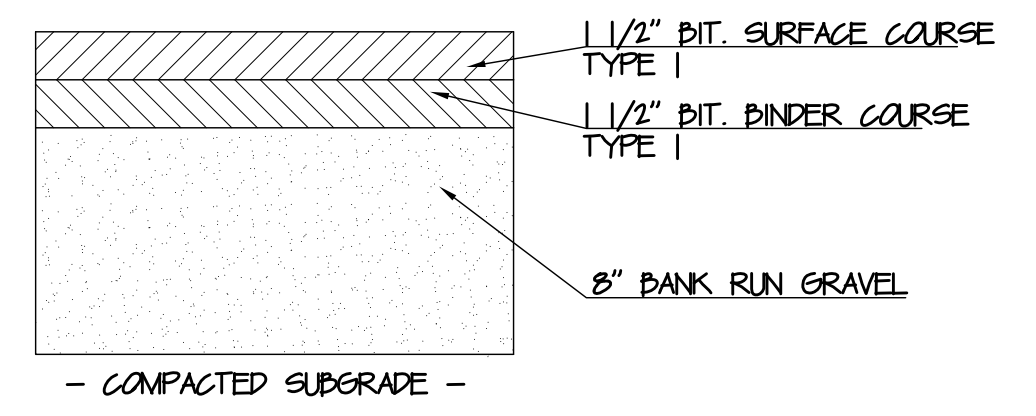
3 WALL-PAKS 150 WATT EXTERIOR LIGHT DETAIL
 N.T.S.



4 UNDERGROUND PIPE DETAIL
 N.T.S.

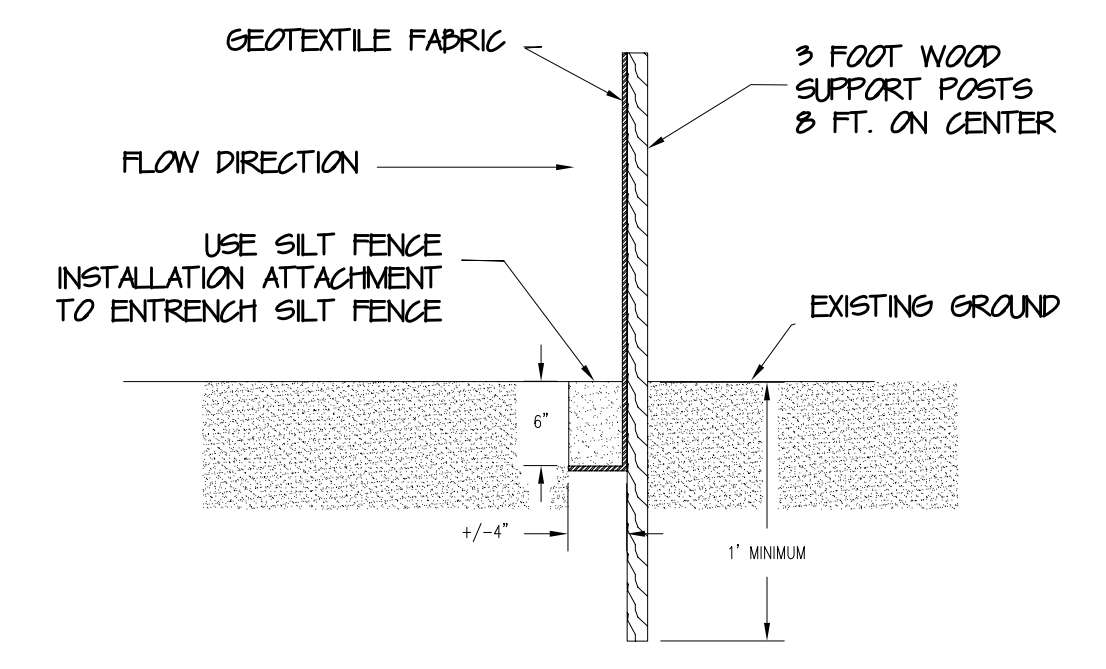


5 SEDIMENT CONTROL FOREBAY CROSS SECTION DETAIL
 SCALE: N.T.S.

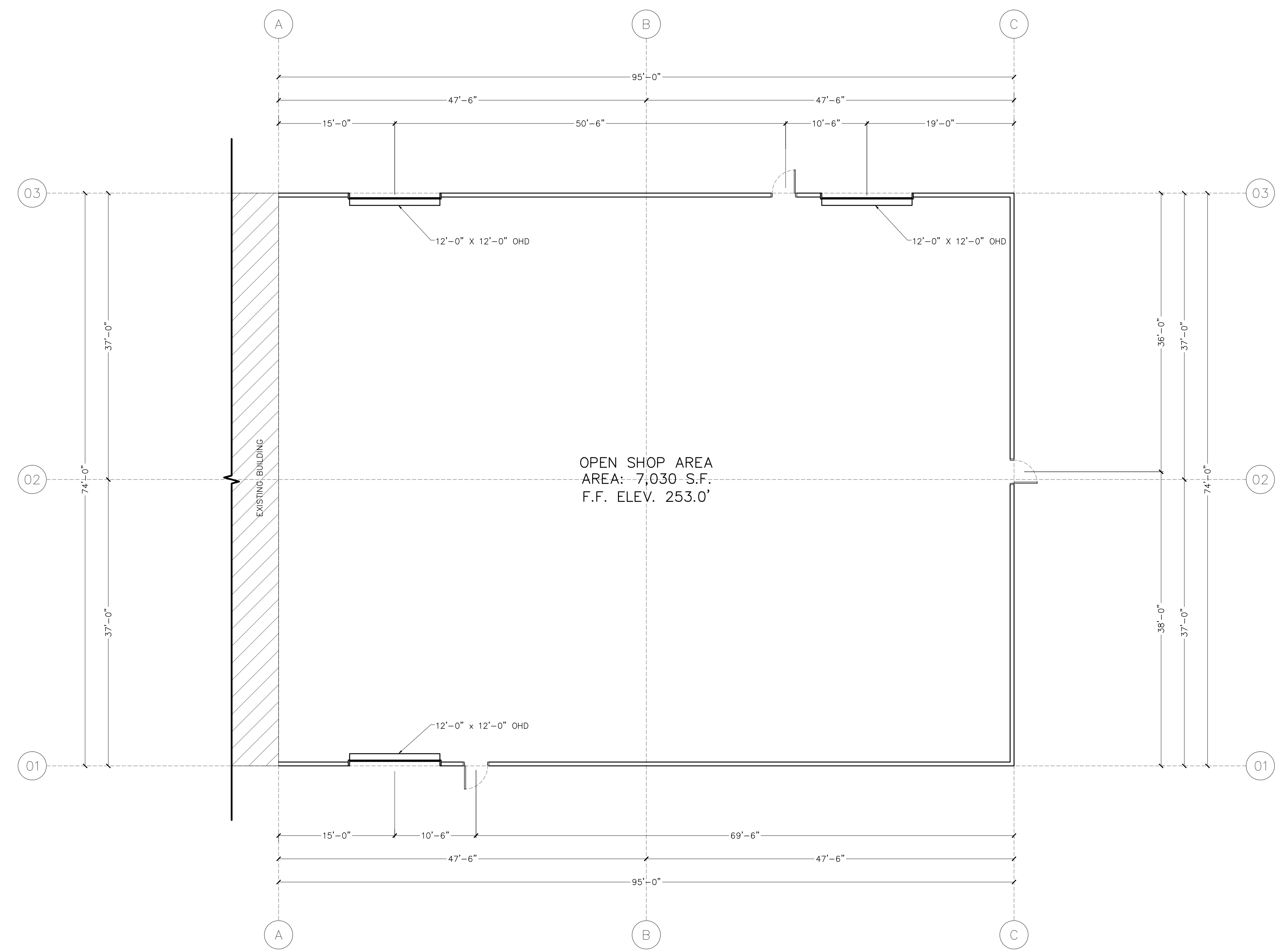
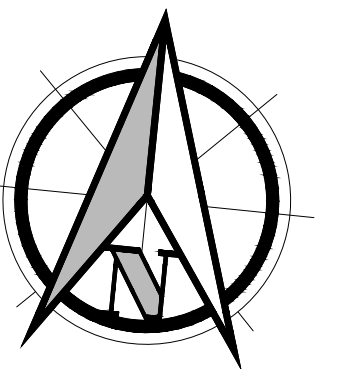


- NOTE: 1. SURFACE AND BINDER COURSE SHALL CONFORM TO MHD. STANDARD SPECIFICATIONS: SECTION 460 CLASS 1 BITUMINOUS CONCRETE PAVEMENT TYPE I-I
2. GRAVEL TO BE COMPACTED IN 4" LIFTS AND APPROVED BY SITE ENGINEER

6 BITUMINOUS CONCRETE PAVEMENT DETAIL
 N.T.S.



7 SILT FENCE DETAIL
 N.T.S.



NOTES

- ALL WALLS TO BE WALL TYPE 1 UNLESS NOTED OTHERWISE

PROJECT DESCRIPTION:
 66'S CUSTOM METALS ADDITION
 785 NEW LUDLOW ROAD
 SOUTH HADLEY, MA 01075

APPLICANT:
 GERRY GEOFTRION
 785 NEW LUDLOW ROAD
 SOUTH HADLEY, MA 01075

Furrow
 Engineering

199 Servistar Industrial Way - Suite 2
 Westfield, MA 01085
 Phone: (413) 592-4884

ORIGINAL SEAL IS IN BLUE
 INK COPIES ARE NOT VALID

REVISION DESCRIPTION	BY	DATE

PROJECT NO:
 0823-10-15

DRAWN BY:
 EDN

DATE:
 10-12-15

SCALE:
 1/8" = 1'-0"

SHEET:
A1.3

A1.3 CONCEPTUAL PROPOSED FLOOR PLAN