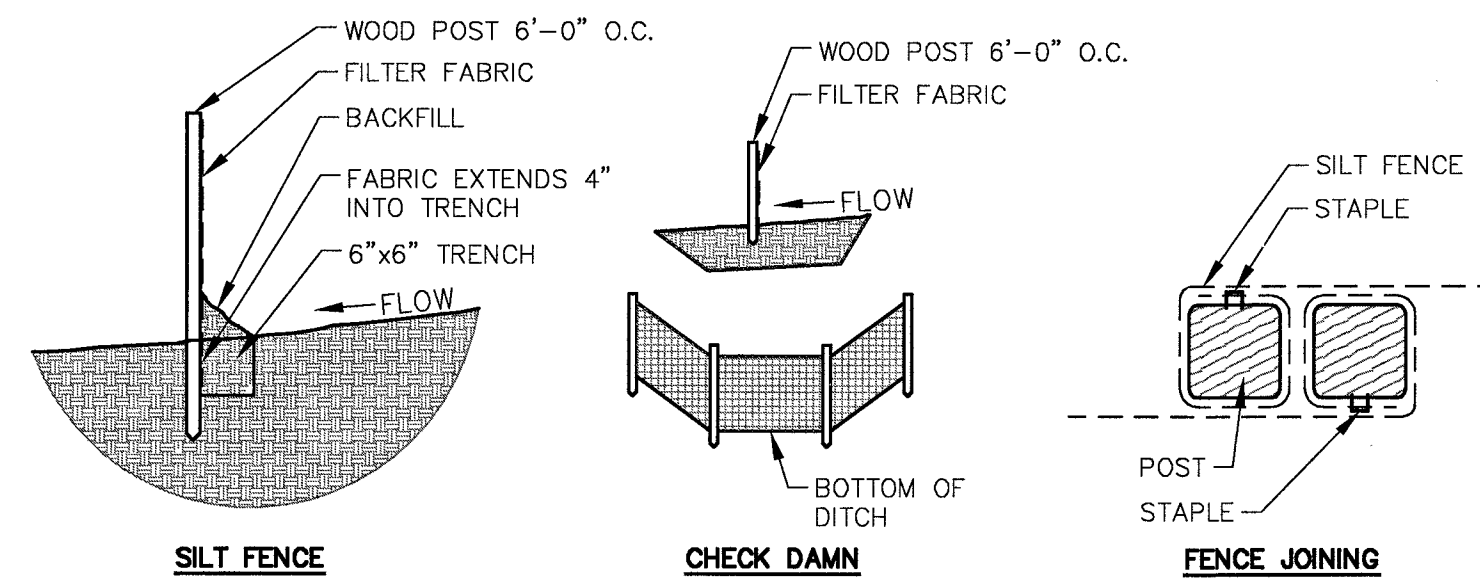


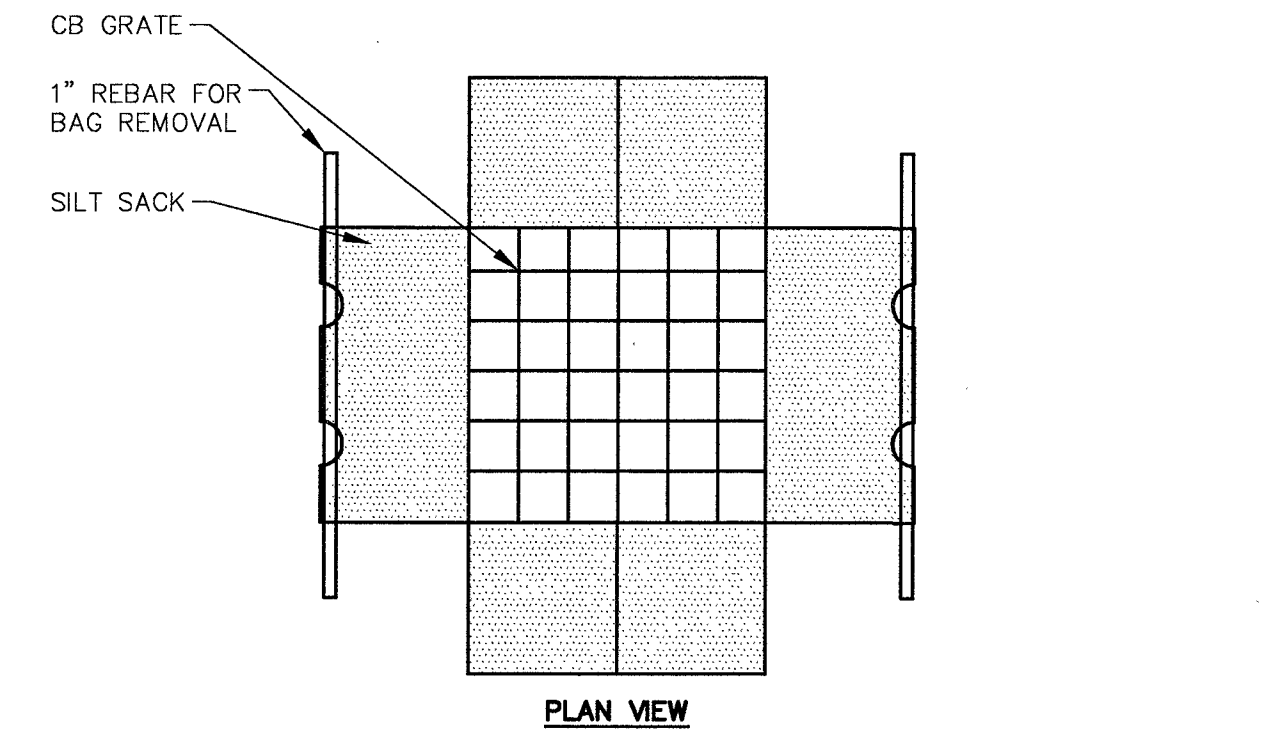
CONSTRUCTION EXIT
SCALE: N.T.S.

- NOTES:**
- SILT FENCE SHALL BE ATTACHED WITH WIRE TIES 2'-0" O.C., (3) TIES PER POST.
 - POST SHALL BE 1.5" x 1.5" x 4' LONG MIN. AND BE DRIVEN INTO THE GROUND 12" MIN.
 - SILT FENCE SHALL BE INSTALLED IN LOCATIONS PER PLANS AND AT ANY AREA WHERE SILTATION OCCURS DURING CONSTRUCTION.

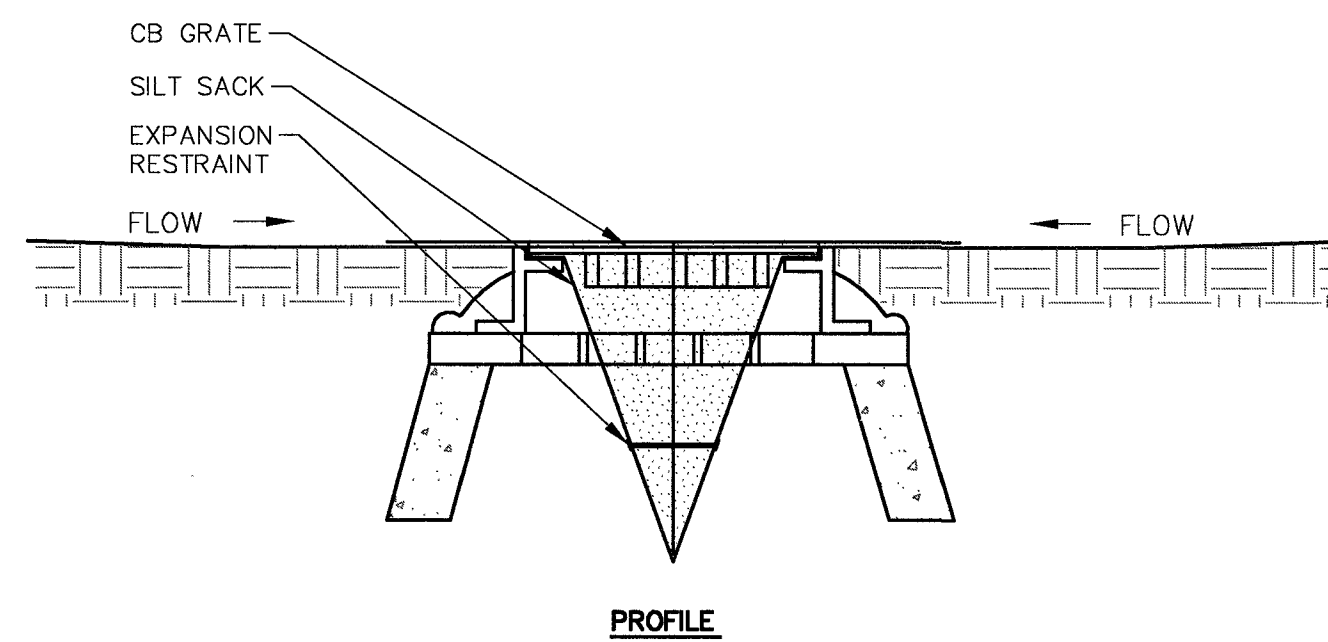


EROSION CONTROL BARRIER - SILT FENCE
SCALE: N.T.S.

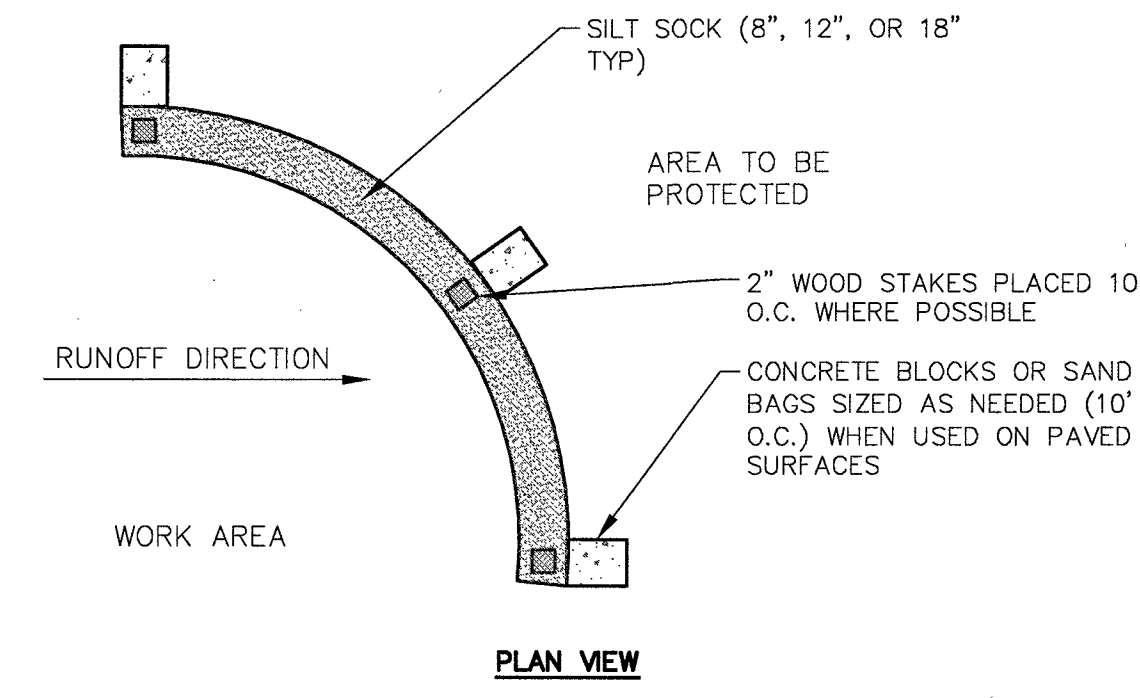
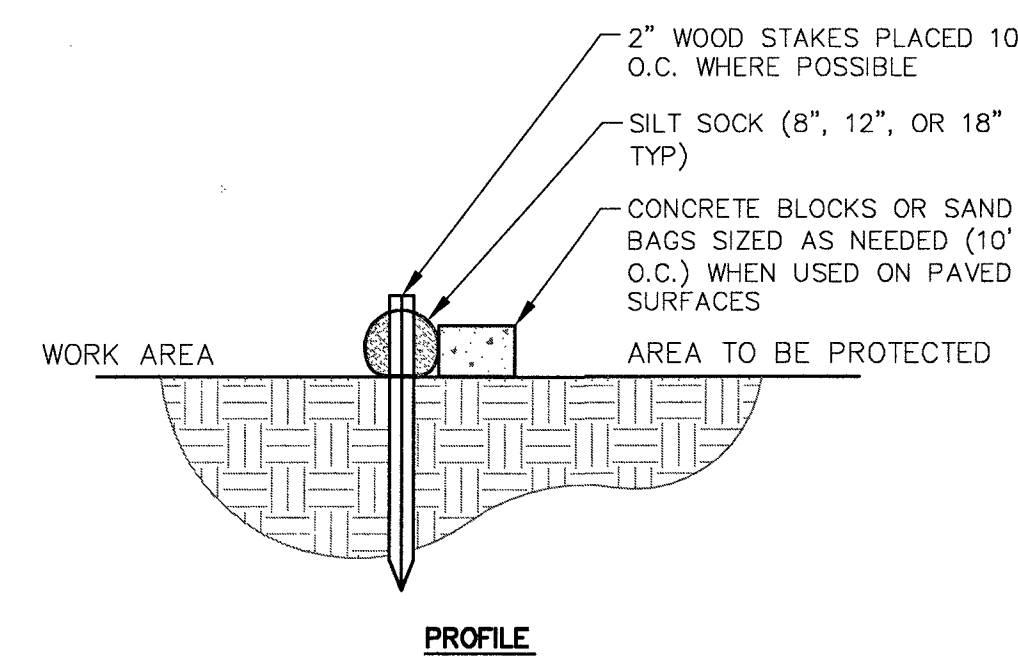
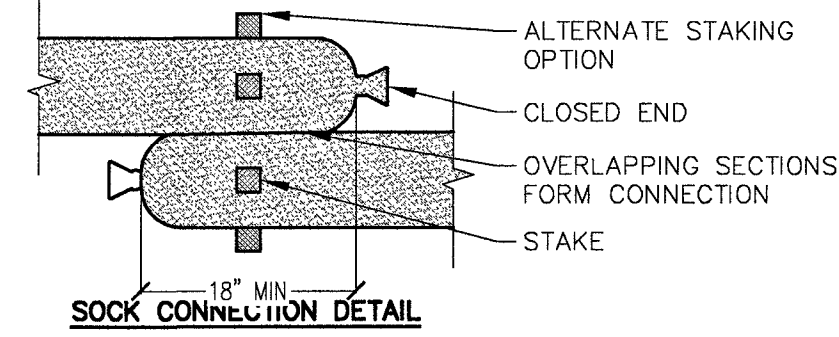
- NOTES:**
- INSTALL SILT SACK IN ALL CATCH BASINS WHERE INDICATED ON THE PLAN BEFORE COMMENCING WORK OR IN PAVED AREAS AFTER BINDER COURSE IS PLACED AND SILT FENCE HAVE BEEN REMOVED.
 - GRATE TO BE PLACED OVER SILT SACK.
 - SILT SACK IS TO BE INSPECTED PERIODICALLY AND AFTER ALL STORM EVENTS CLEANING OR REPLACEMENT SHALL BE PERFORMED PROMPTLY AS NEEDED. MAINTAIN UNTIL UPSTREAM AREAS HAVE BEEN PERMANENTLY STABILIZED.
 - INSTALLATION METHODS SHALL NOT CREATE ANY TRIPPING HAZARDS. INSPECT PERIODICALLY TO MAKE SURE FABRIC IS FLAT AND PROPERLY HELD IN PLACE, ANY SIGNS OF POTENTIAL TRIPPING HAZARDS SHALL BE FIXED IMMEDIATELY.



INLET PROTECTION - SILT SACK
SCALE: N.T.S.



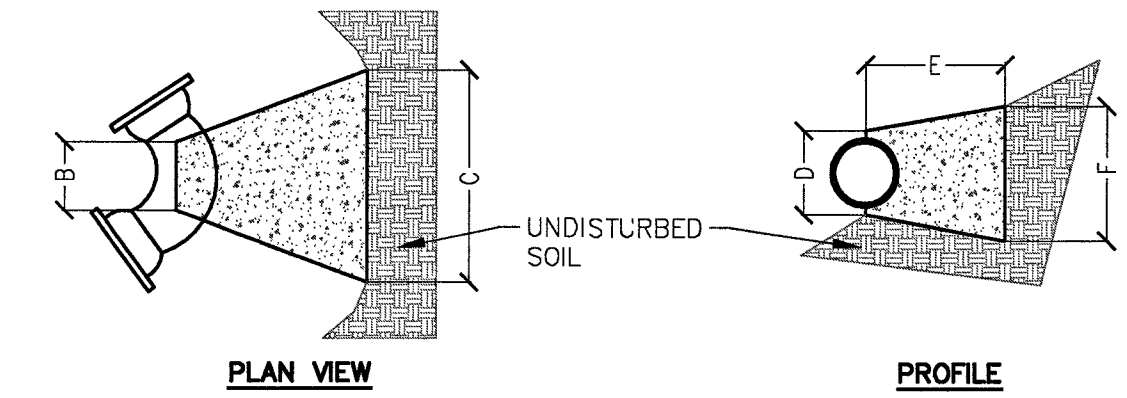
- NOTES:**
- ALL MATERIAL TO MEET SPECIFICATIONS.
 - FILTER MEDIA TO MEET APPLICATION REQUIREMENTS.
 - FILTER MEDIA TO BE DISPERSED ON SITE AS DETERMINED BY ENGINEER.



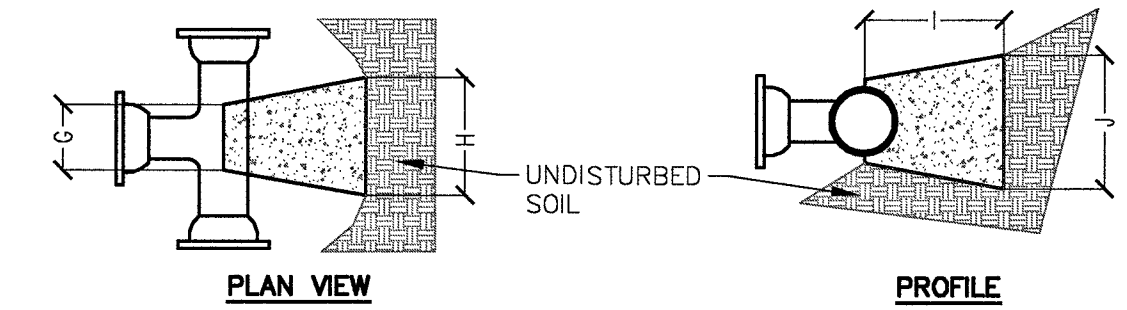
EROSION CONTROL BARRIER - SILT SOCK
SCALE: N.T.S.

- NOTES:**
- PROVIDE BLOCKS FOR TAPPING SLEEVES, DEAD ENDS, GATE VALVES, AND VERTICAL BENDS, SAME SIZE AS REQUIRED FOR TEES.
 - PROVIDE ANCHOR RODS AT VERTICAL BENDS AND GATE VALVES.
 - CONCRETE SHALL NOT BE PLACES AGAINST PIPE BEYOND FITTING.

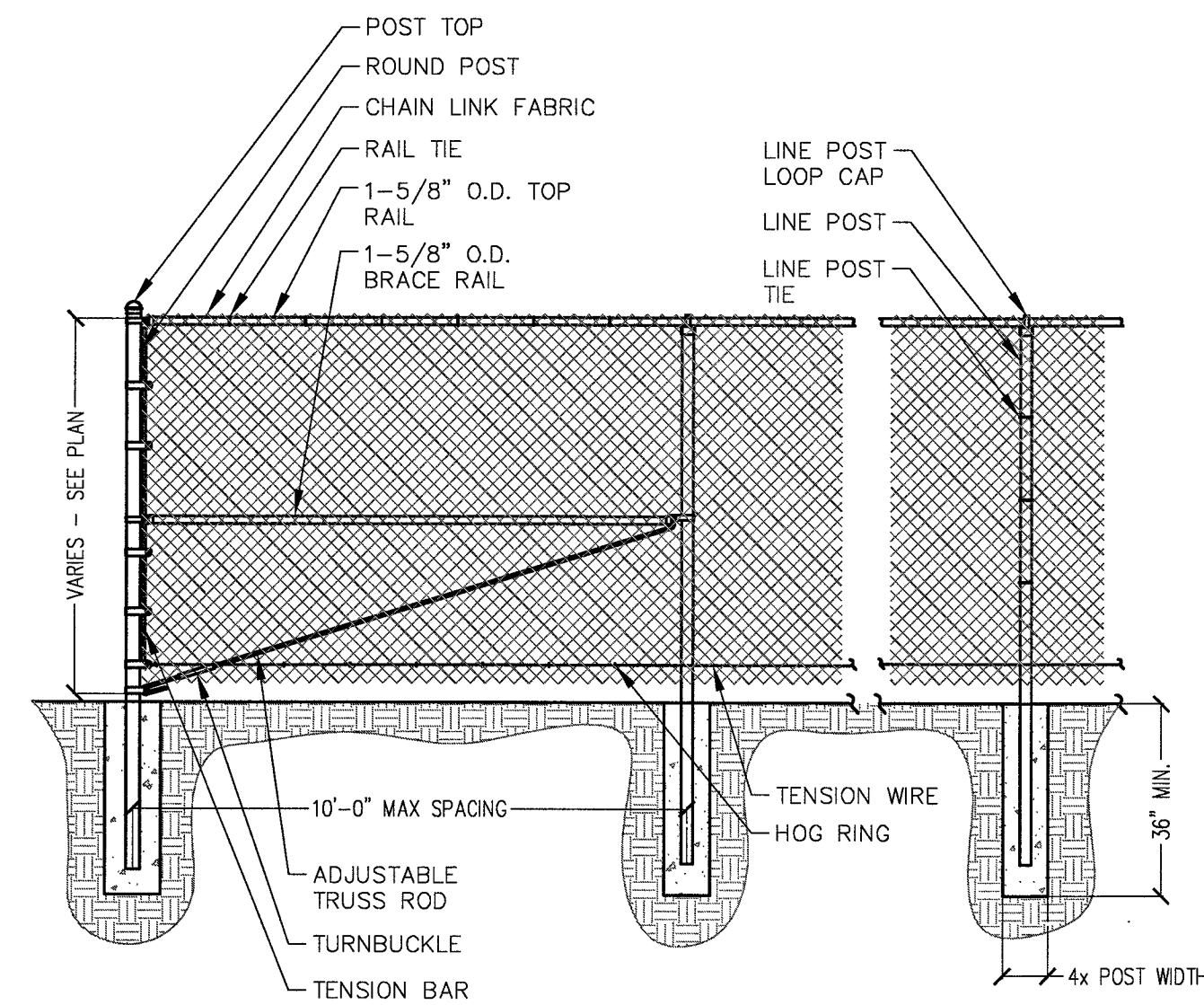
PIPE DIA.	BENDS	B	C	D	E	F
6"	11-1/4"	8"	15"	12"	24"	12"
	22-1/2"	8"	19"	12"	24"	13"
	45"	8"	30"	12"	24"	14"
8"	11-1/4"	8"	20"	12"	24"	12"
	22-1/2"	8"	22"	12"	24"	17"
	45"	8"	30"	12"	24"	17"
12"	11-1/4"	8"	38"	12"	24"	15"
	22-1/2"	8"	35"	12"	24"	25"
	45"	8"	40"	12"	24"	40"
	90"	8"	60"	12"	24"	52"



TEES	G	H	I	J
6" x 6" x 6"	12"	24"	24"	18"
8" x 8" x 6"	12"	24"	24"	18"
8" x 8" x 8"	12"	24"	24"	24"
12" x 12" x 6"	12"	24"	24"	12"
12" x 12" x 8"	12"	24"	24"	24"
12" x 12" x 12"	12"	36"	24"	36"

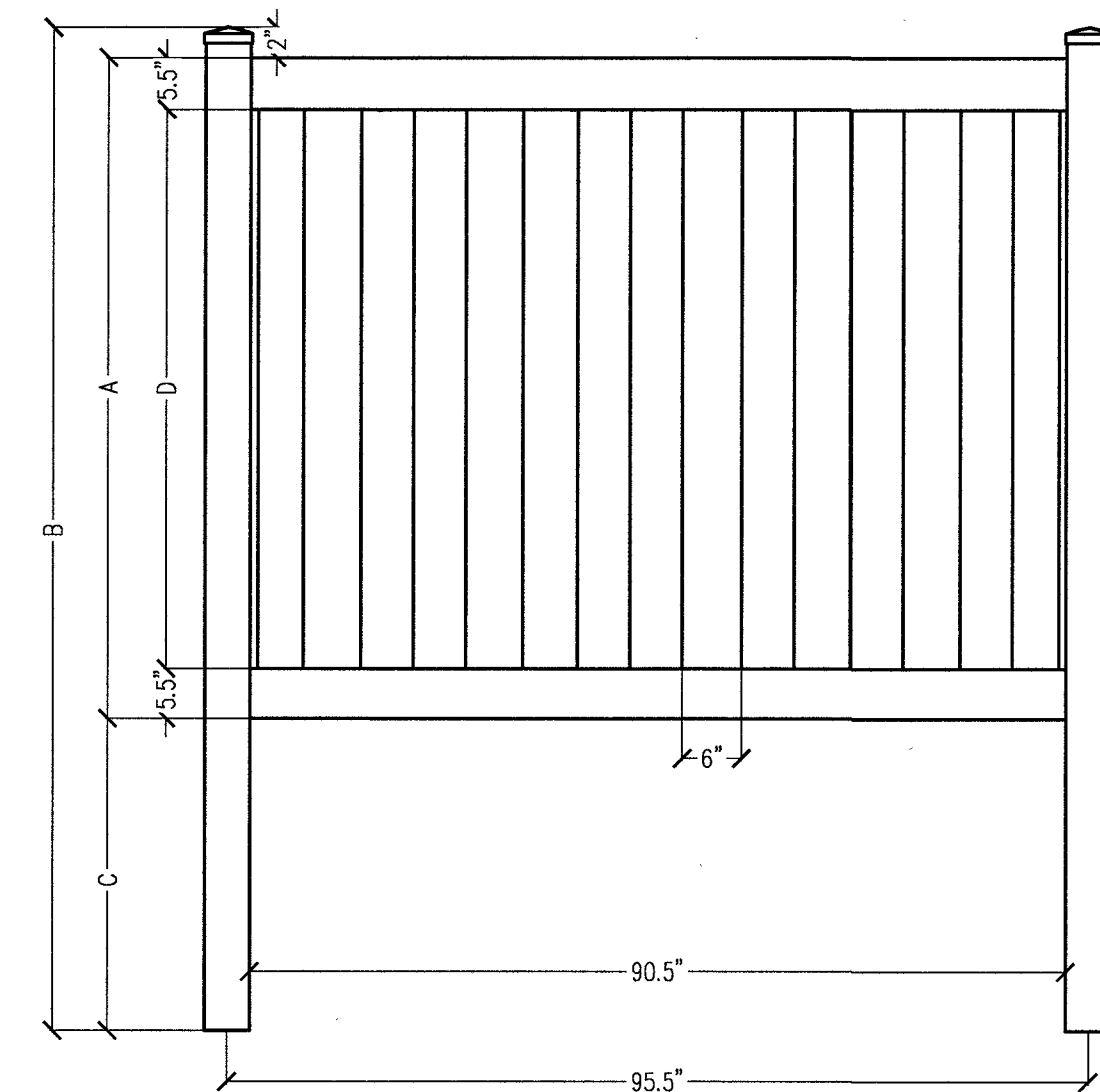


THRUST BLOCK
SCALE: N.T.S.



POST TOP	FABRIC TYPE	PRIVACY SLATS
DOME	KNUCKLE TOP & BOTTOM	

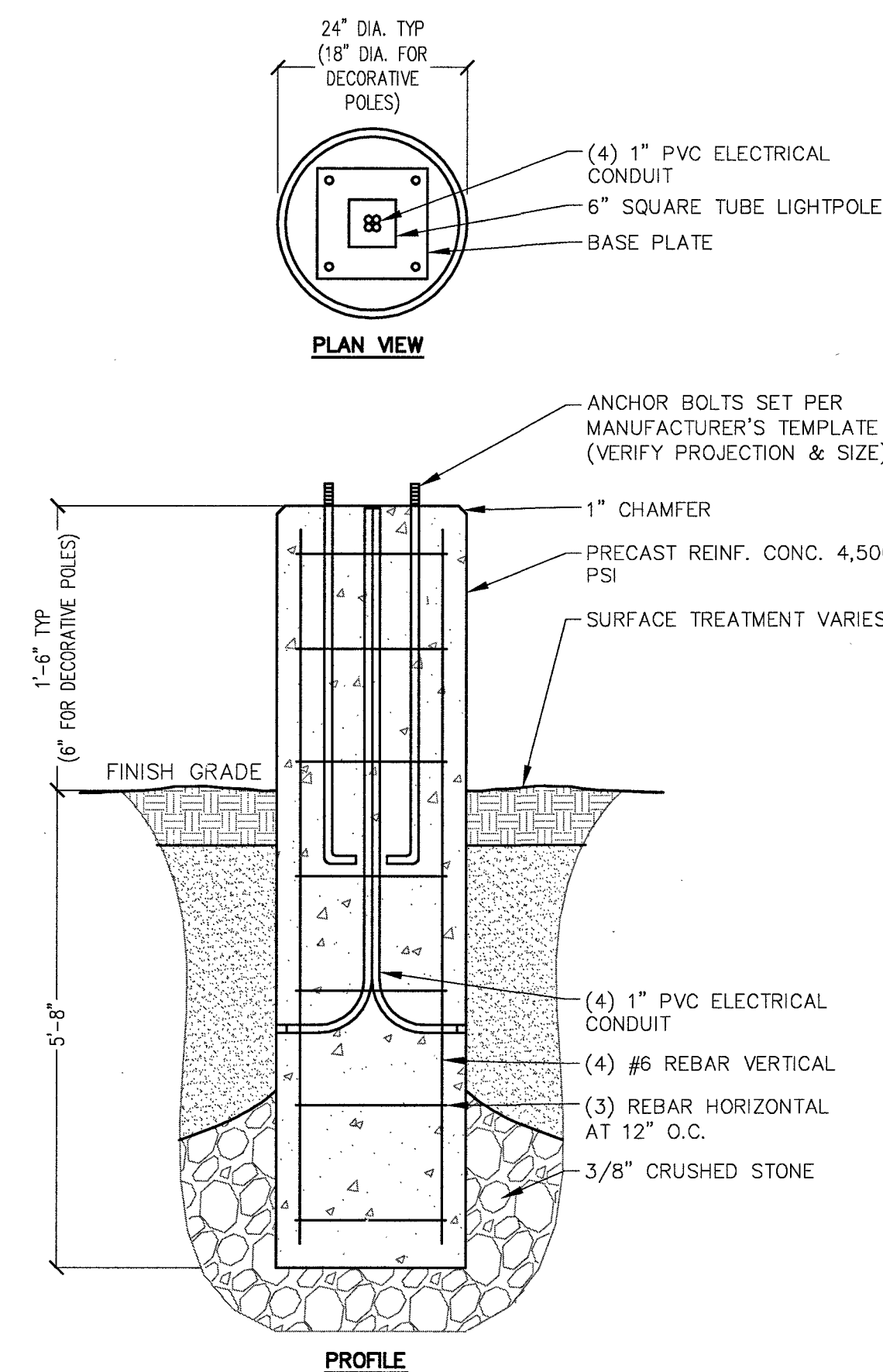
CHAIN LINK FENCE
SCALE: N.T.S.



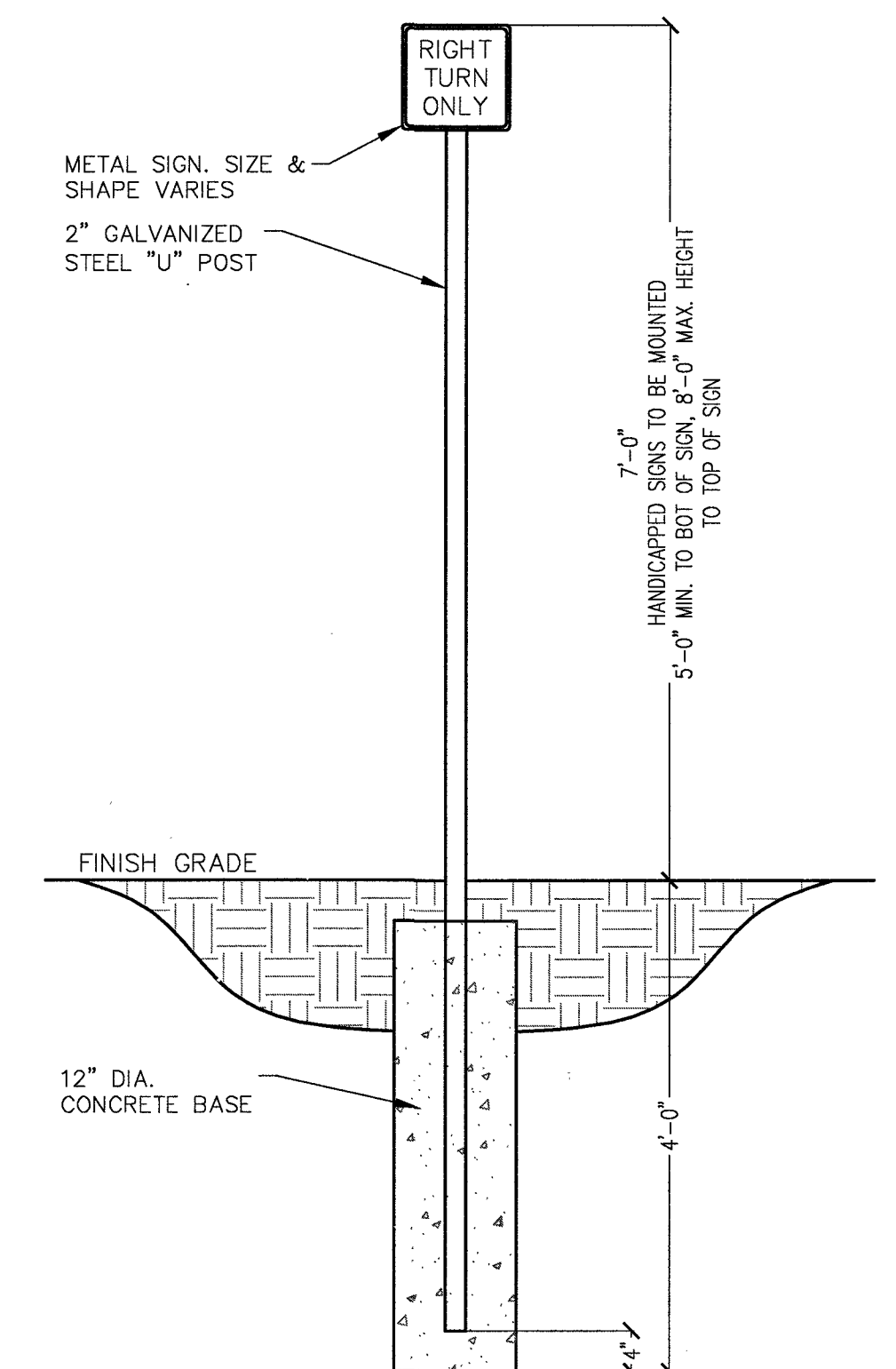
A	B	C	D
3 FT	60 IN	22 IN	25 IN
4 FT	84 IN	34 IN	37 IN
5 FT	96 IN	34 IN	49 IN
6 FT	108 IN	34 IN	61 IN

VINYL FENCE
SCALE: N.T.S.

- NOTES:**
- ELECTRICAL CONTRACTOR TO SUPPLY BOLT PATTERN AND ANCHOR BOLTS TO BASE MANUFACTURER.



LIGHT POLE BASE (PRECAST)
SCALE: N.T.S.



SIGN AND POST
SCALE: N.T.S. **NOT FOR CONSTRUCTION**

ASSOCIATED BUILDERS, INC.
 4 INDUSTRIAL DRIVE, SOUTH HADLEY, MA 01075
 PHONE (413) 536-0021 FAX (413) 536-0908
 EMAIL: abuilders@builders.com

SITE DETAILS (3)
 Proposed Facility
 Center for Human Development
 Old Lyman Road
 South Hadley, MA 01075

PLAN DATE	DESCRIPTION
DATE	
01.23.19	ISSUED FOR BID
02.01.19	ISSUED FOR LOCAL APPROVALS

SCALE: N.T.S.
 JOB #: 18008
 SHEET #: L5.3