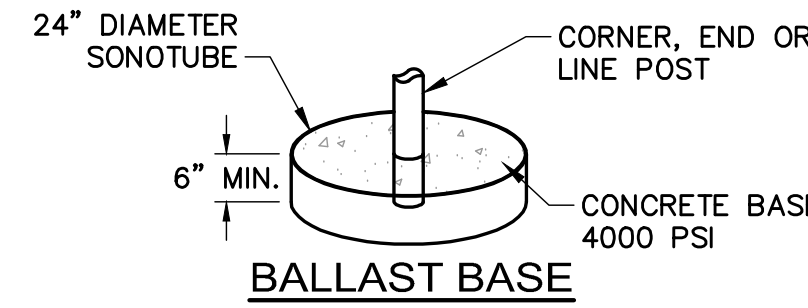
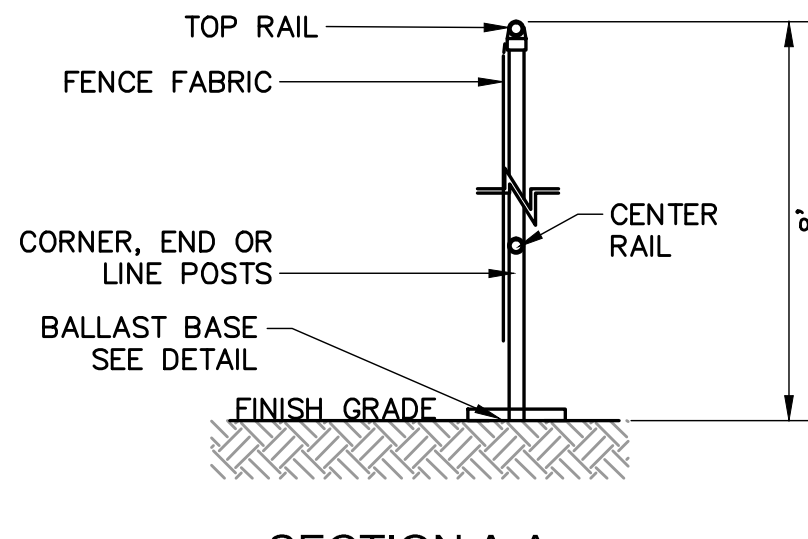
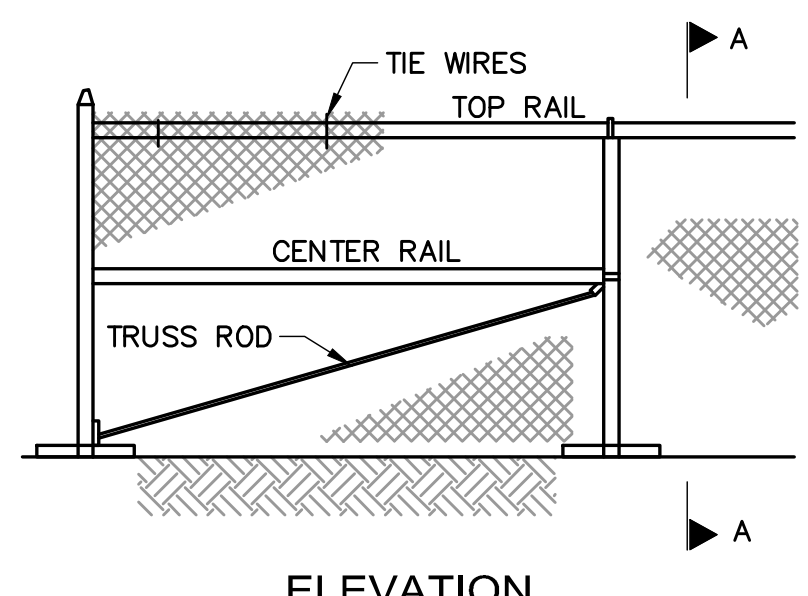
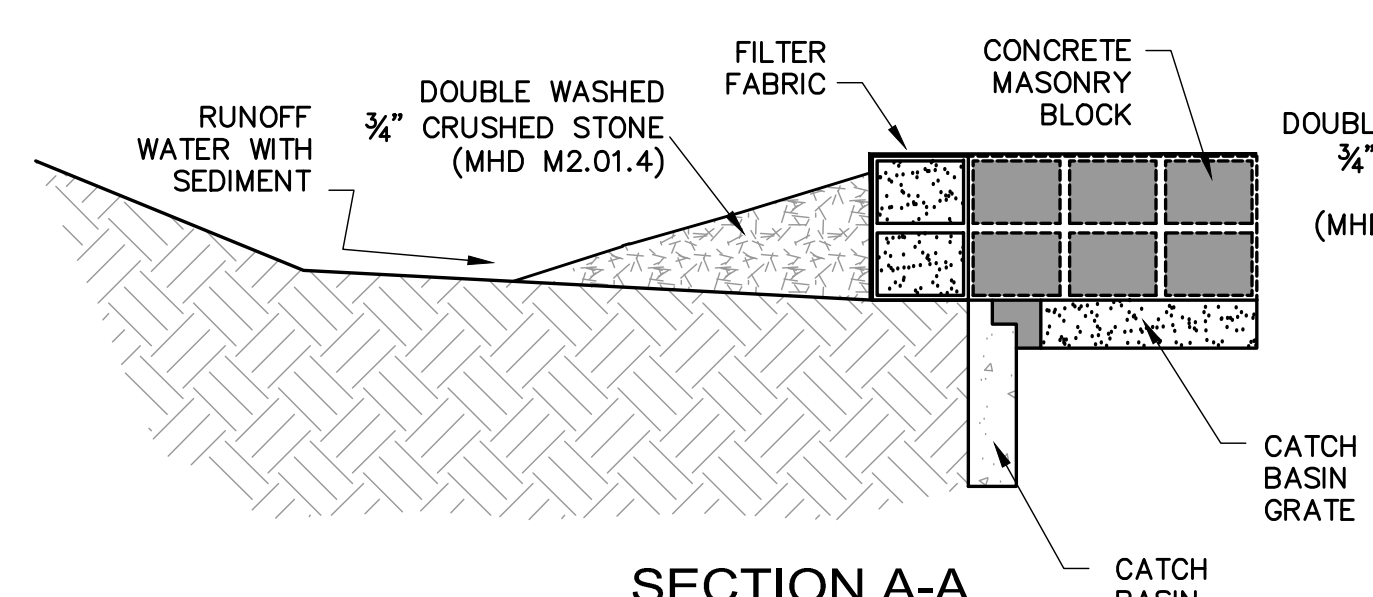
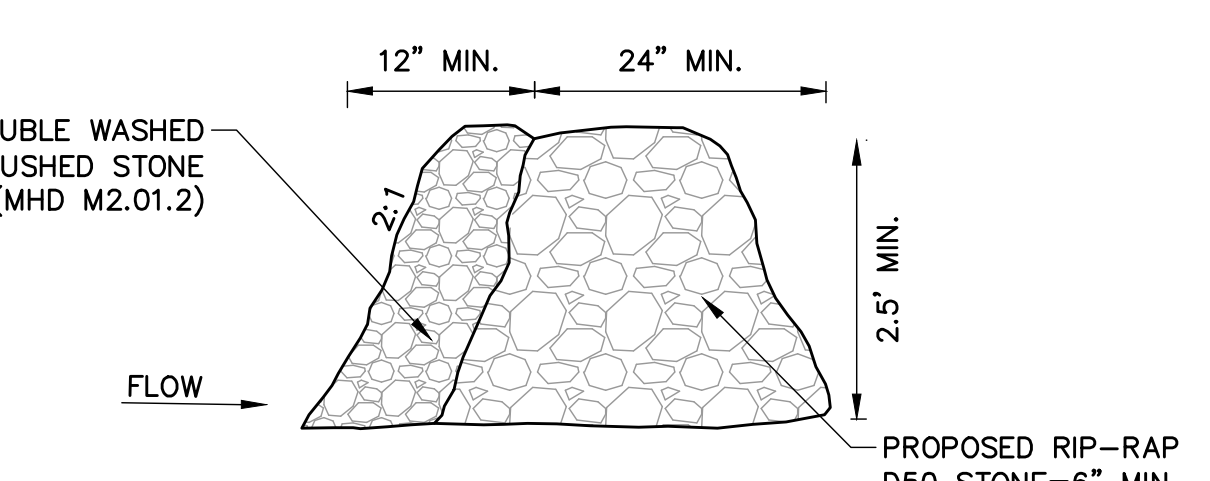
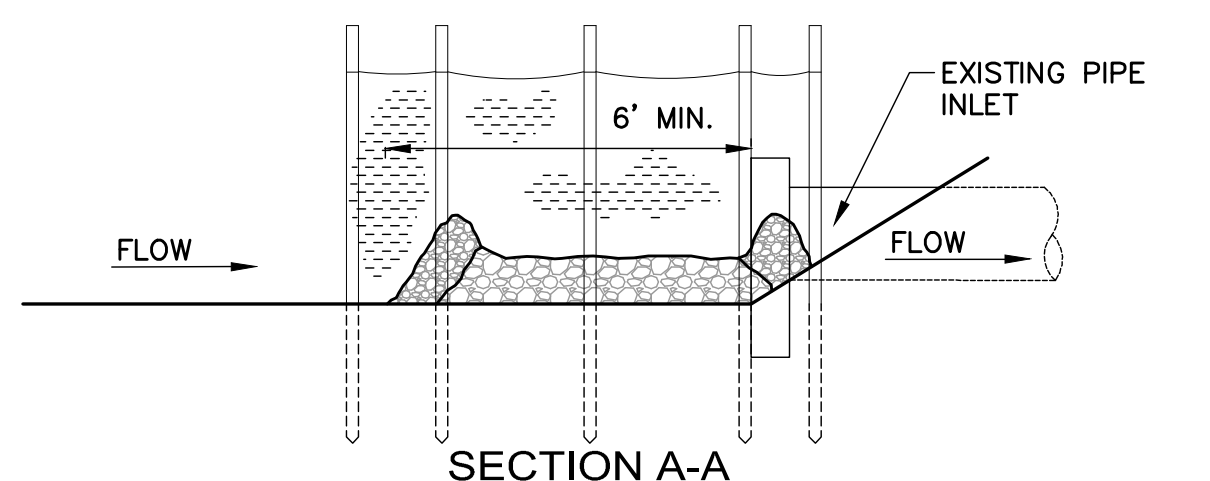
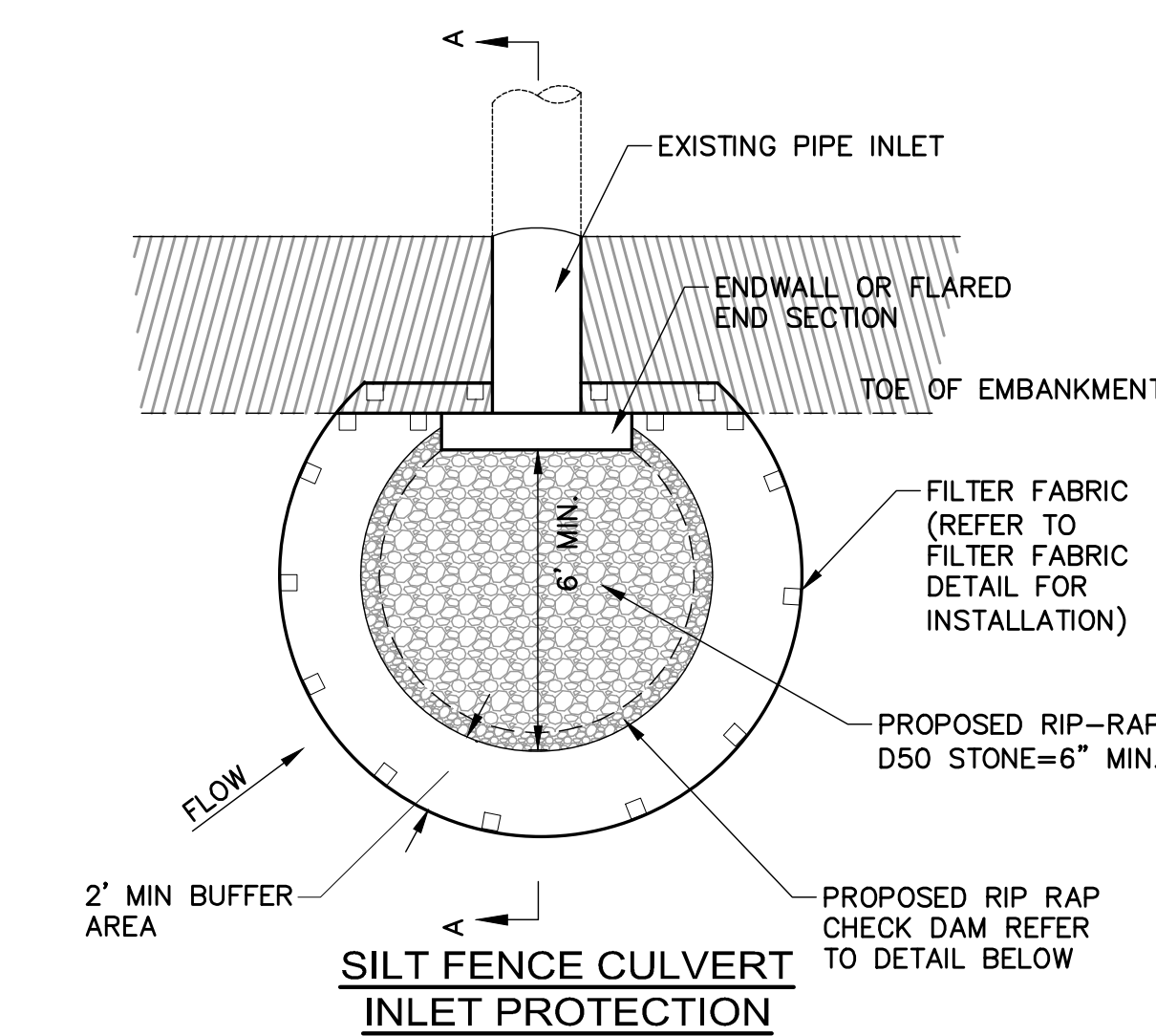


- CONSTRUCTION SPECIFICATIONS**
- STONE SIZE - USE 2" TO 3" STONE.
 - LENGTH - GREATER THAN OR EQUAL TO 50 FEET
 - THICKNESS - 6"
 - WIDTH - TWELVE FOOT MINIMUM (ONE WAY), TWENTY FOUR FOOT MINIMUM (TWO WAY), BUT NOT LESS THAN THE FULL WIDTH AT POINTS WHERE INGRESS OR EGRESS OCCURS.
 - SURFACE WATER - ALL SURFACE WATER FLOWING OR DIVERTED TOWARD CONSTRUCTION ENTRANCES SHALL BE PIPED ACROSS THE ENTRANCE. IF PIPING IS IMPRACTICAL, A MOUNTABLE BERM SHALL BE PERMITTED.
 - MAINTENANCE - THE ENTRANCE SHALL BE MAINTAINED IN A CONDITION WHICH SHALL PREVENT TRACKING OR FLOWING OF SEDIMENT ONTO PUBLIC RIGHTS-OF-WAY. THIS MAY REQUIRE PERIODIC TOP DRESSING WITH ADDITIONAL STONE AS CONDITIONS DEMAND AND REPAIR OR CLEANOUT OF ANY MEASURES USED TO TRAP SEDIMENT. ALL SEDIMENT SPILLED, DROPPED, WASHED OR TRACKED ONTO PUBLIC RIGHTS-OF-WAY MUST BE REMOVED IMMEDIATELY.
 - PERIODIC INSPECTION AND NEEDED MAINTENANCE SHALL BE PROVIDED.
 - ALL ENTRANCES SHALL BE PROTECTED WITH A STABILIZED CONSTRUCTION ENTRANCE.

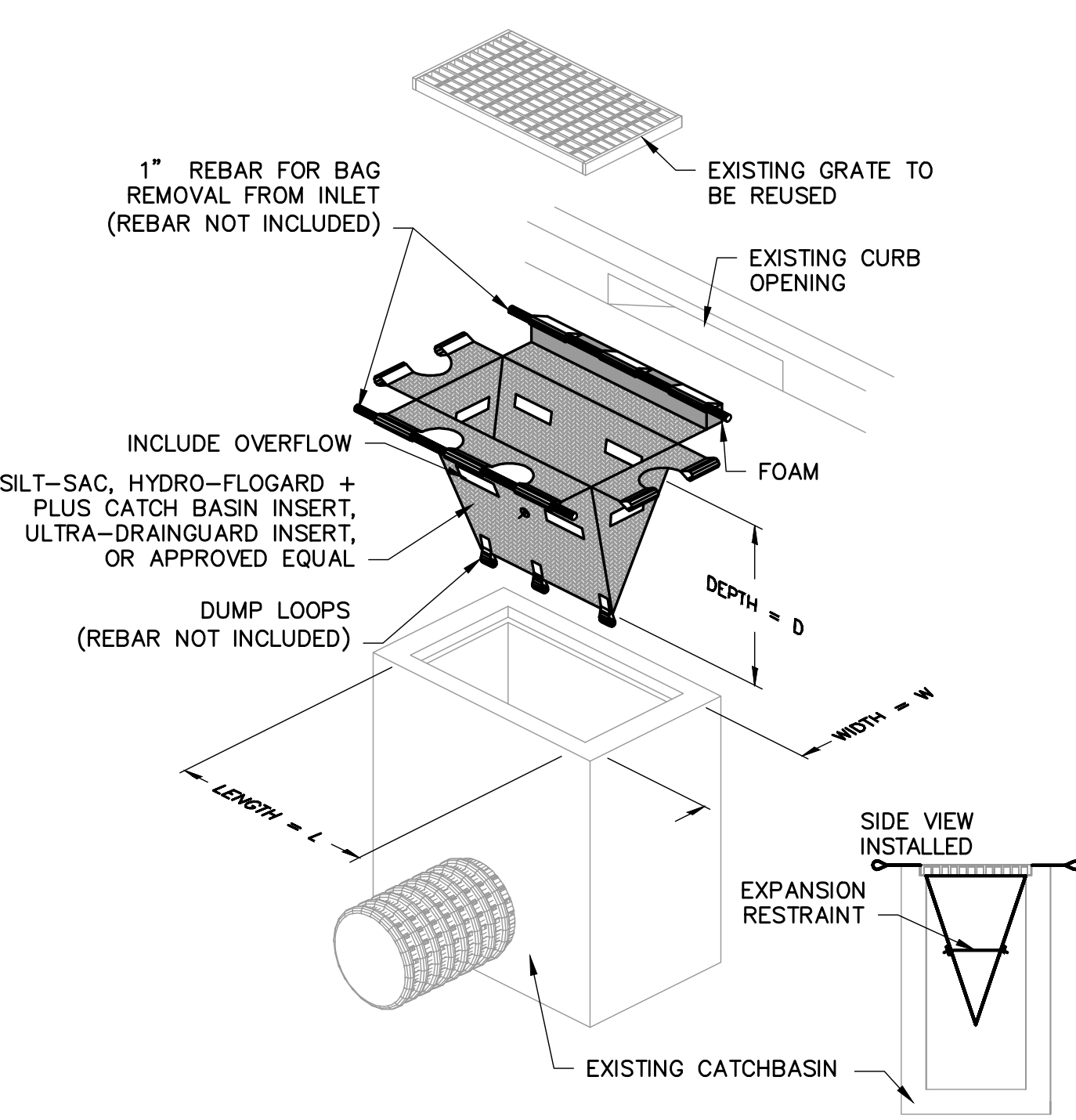


TEMPORARY CONSTRUCTION CHAIN LINK FENCE WITH BALLAST BASE
NOT TO SCALE

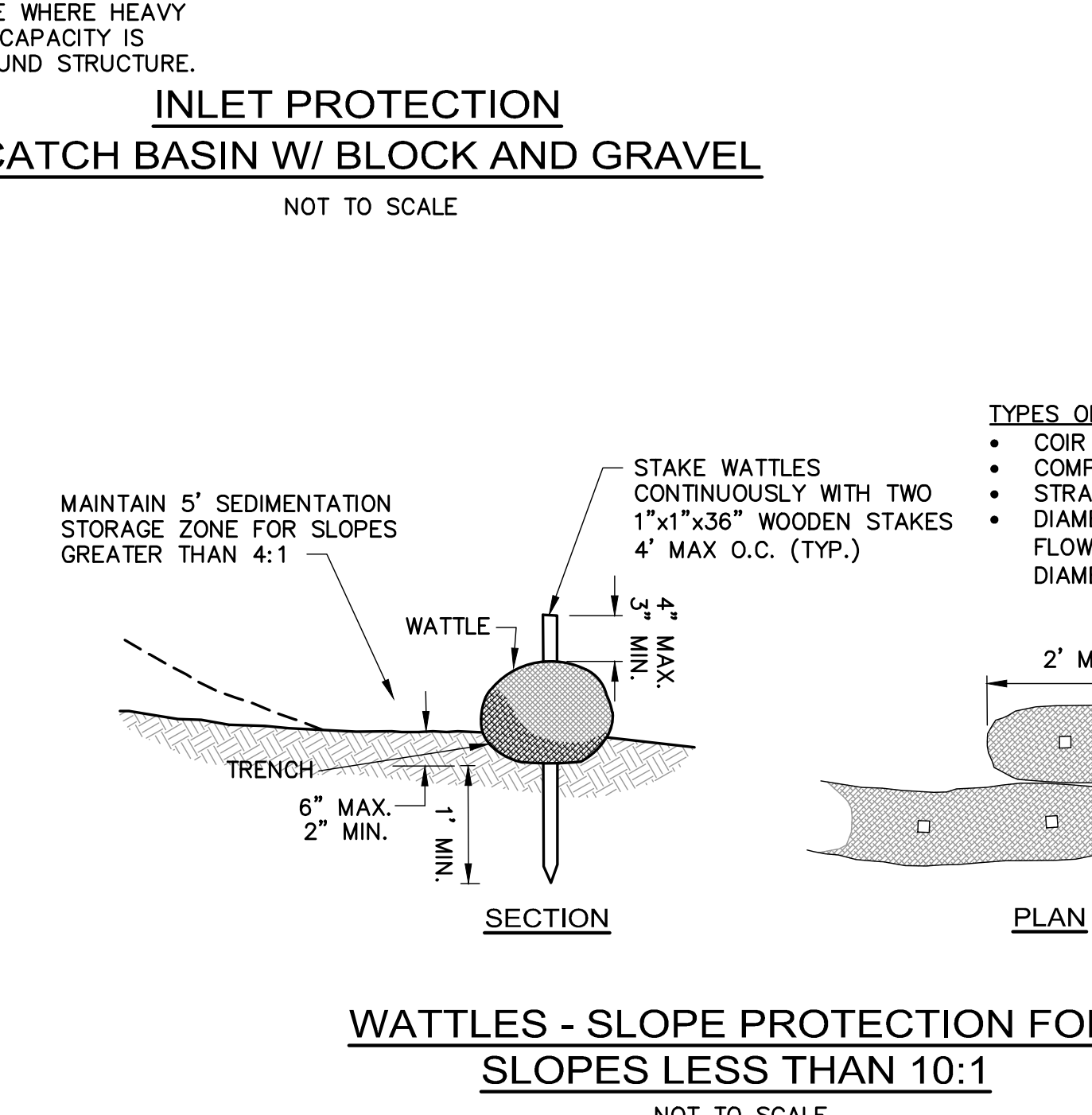
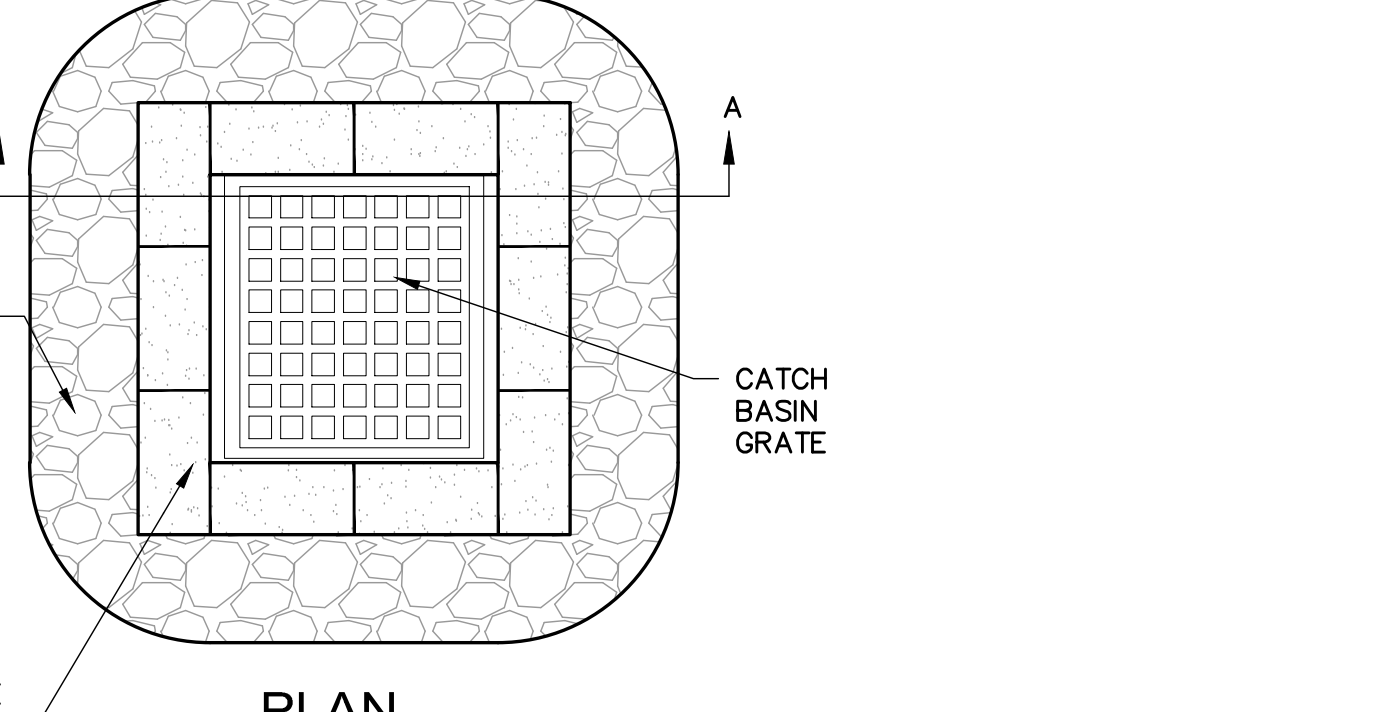
- NOTES**
- END, GATE AND CORNER POSTS SHALL BE BRACED TO ADJACENT LINE POSTS. (MORE THAN 30° CHANGE IN DIRECTION CONSTITUTES A CORNER)
 - FABRIC SHALL BE 0.148" GAUGE MIN. WIRE, WOVEN INTO APPROXIMATELY 2" DIAMOND MESH.
 - ZINC-COATED STEEL FABRIC BASE METAL SHALL BE COATED WITH PRIME WESTERN SPECTER OR EQUAL.
 - ALUMINUM COATED STEEL FABRIC BASE METAL SHALL BE COATED WITH ALUMINUM ALLOY.
 - LINE POSTS SHALL BE 2 1/2" O.D. END OR CORNER POSTS SHALL BE 3" O.D.
 - THE CONTRACTOR IS RESPONSIBLE FOR SURFACE RESTORATION ONCE THE FENCE IS REMOVED.
 - THE CONTRACTOR SHALL REMOVE AND DISPOSE OF THE TEMPORARY CONSTRUCTION FENCE AT THE CONCLUSION OF THE PROJECT.
 - SEE SPECIFICATION



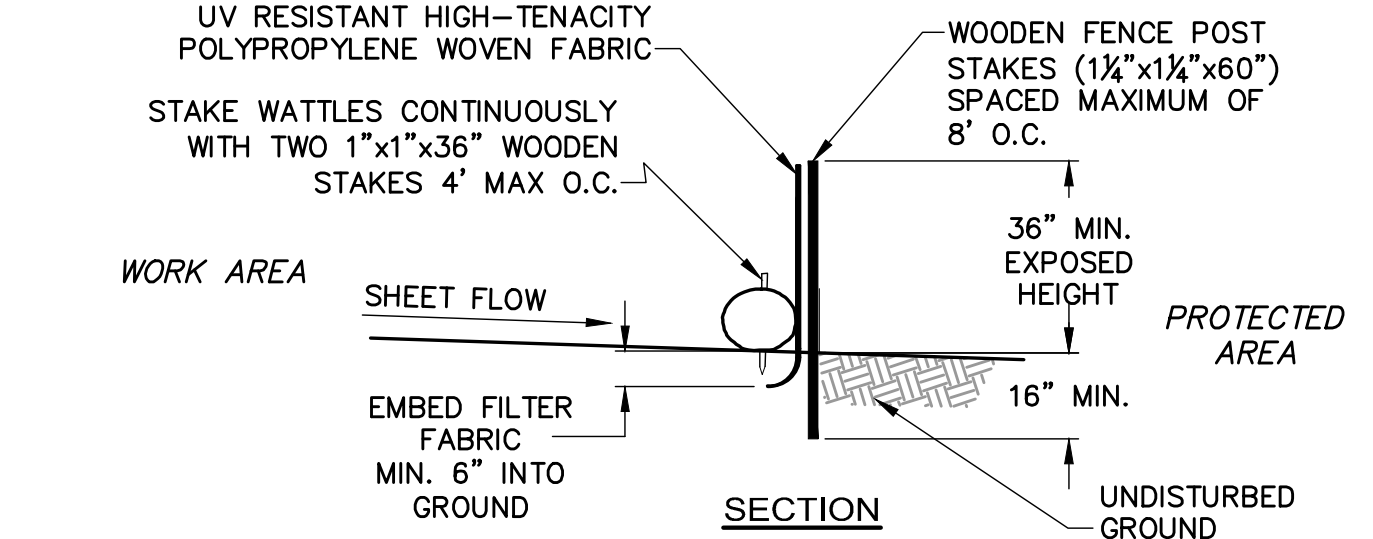
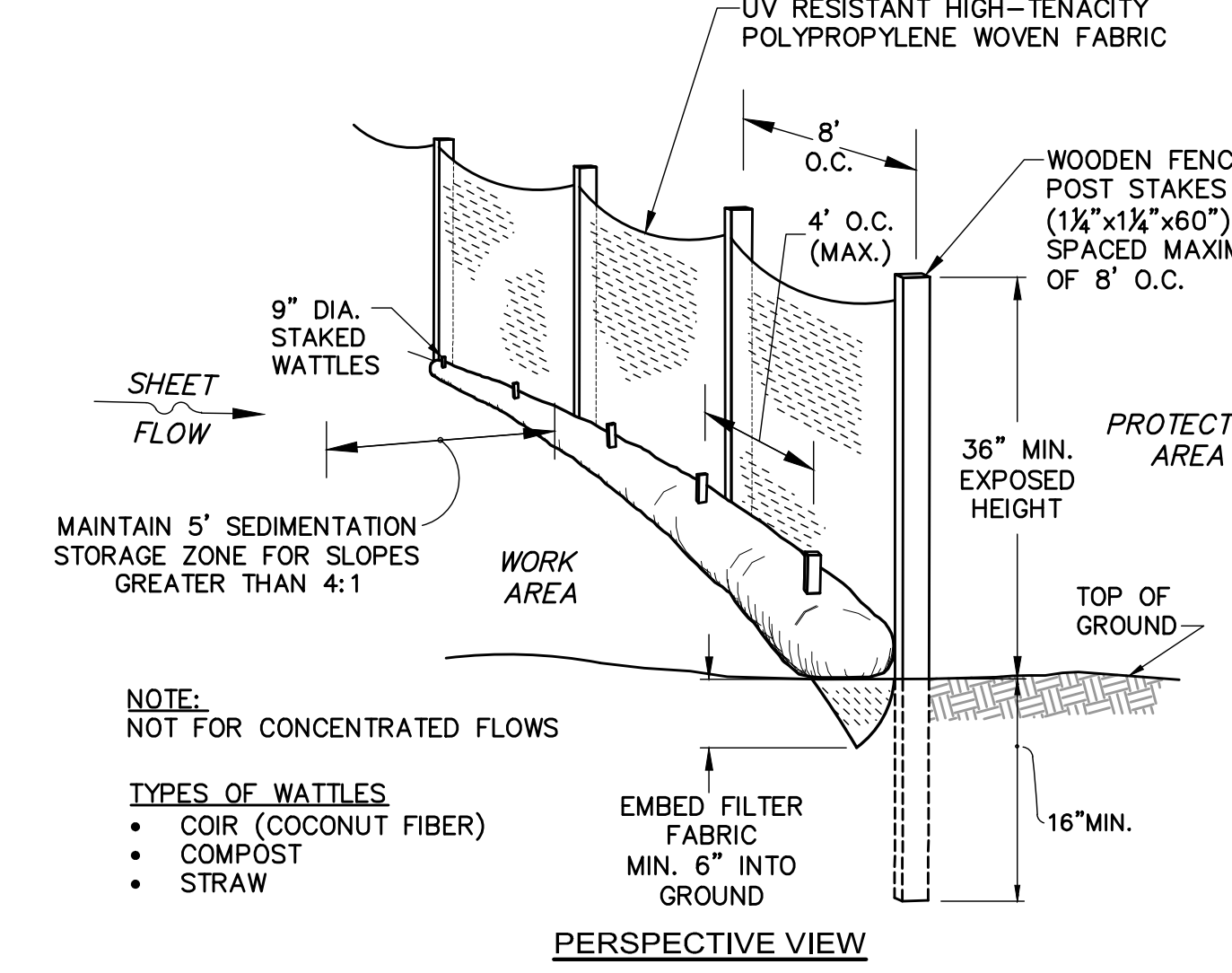
INLET PROTECTION CATCH BASIN W/ BLOCK AND GRAVEL
NOT TO SCALE



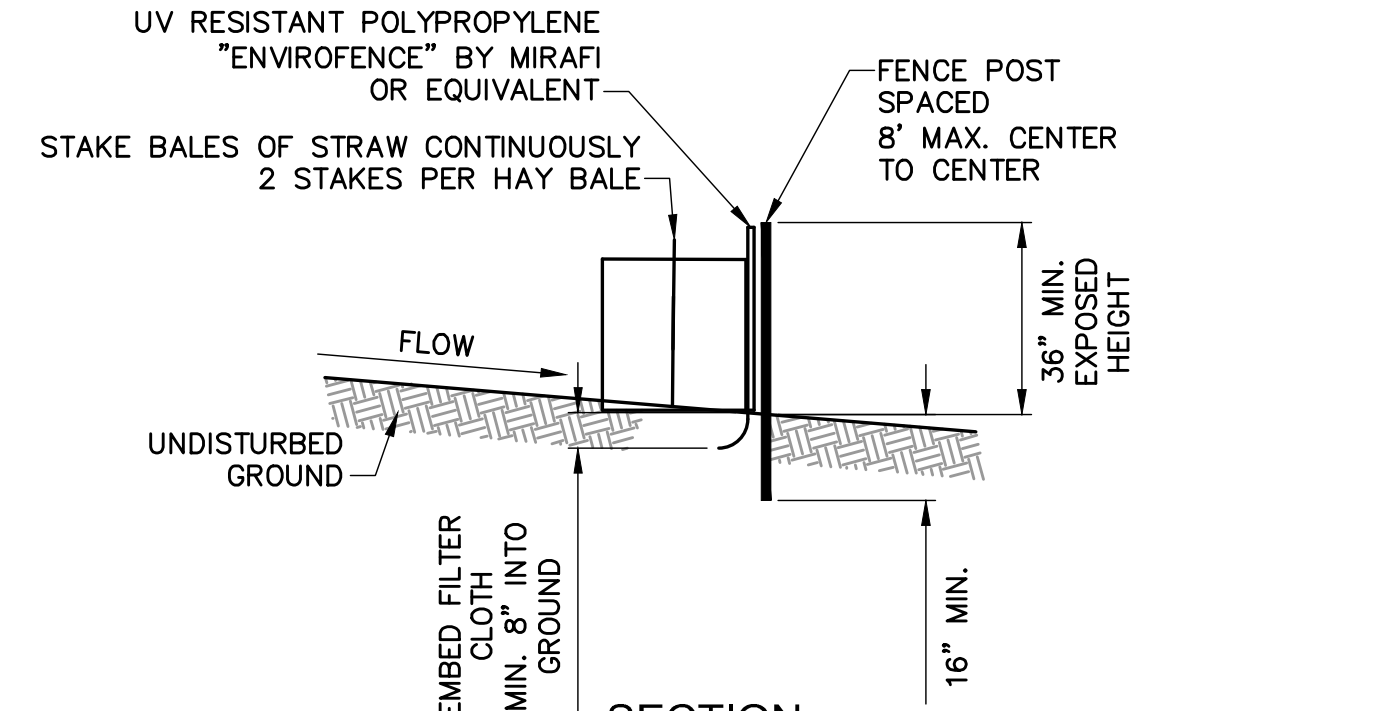
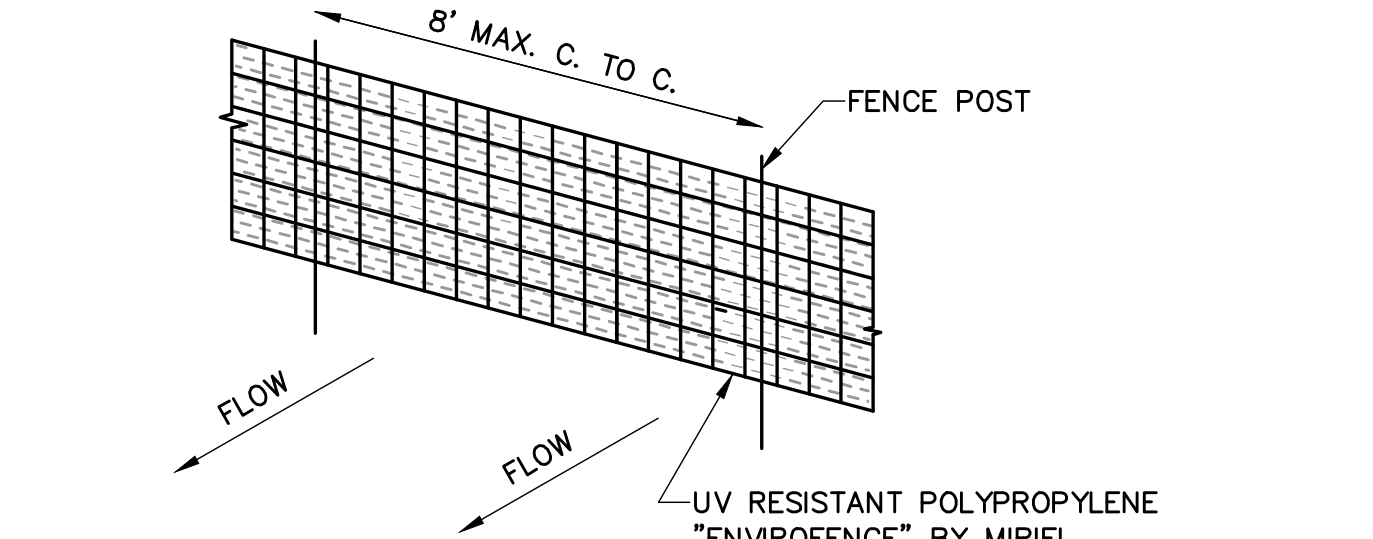
INLET PROTECTION CATCH BASIN W/ SILTATION SACK
NOT TO SCALE



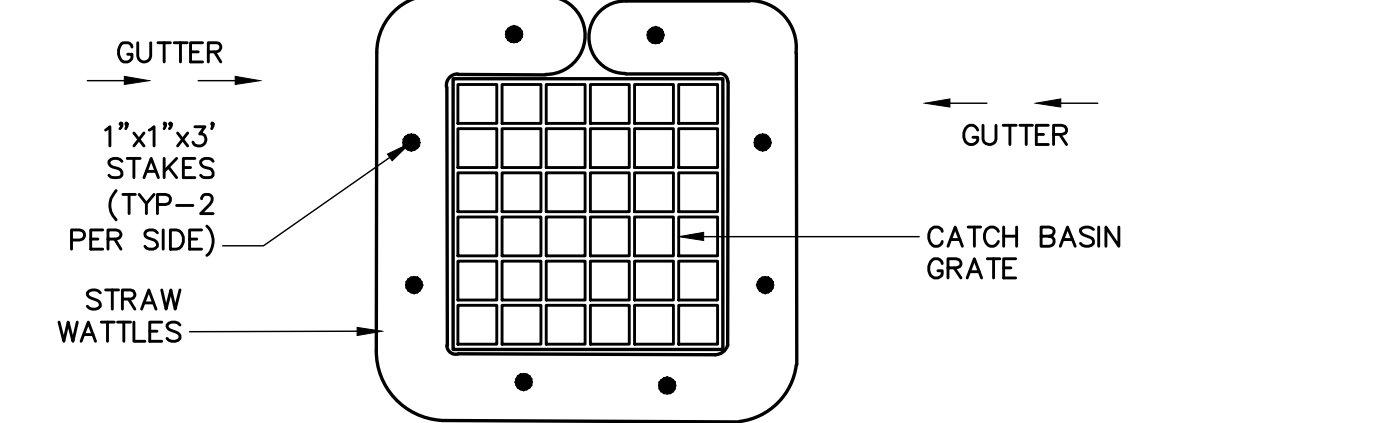
WATTLES - SLOPE PROTECTION FOR SLOPES LESS THAN 10:1
NOT TO SCALE



EROSION CONTROL BARRIER - OPTION 1 SILT FENCE DETAIL WITH WATTLES
NOT TO SCALE



EROSION CONTROL BARRIER - OPTION 2 SILT FENCE DETAIL WITH STRAW BALE
NOT TO SCALE



CATCH BASIN W/ STRAW WATTLES INLET PROTECTION
NOT TO SCALE

- Civil Engineering
- Land Surveying
- Transportation Engineering
- Sustainable Site Consulting
- Planning
- GIS

Revisions:

REVISED PERMIT SET - 2/15/2013